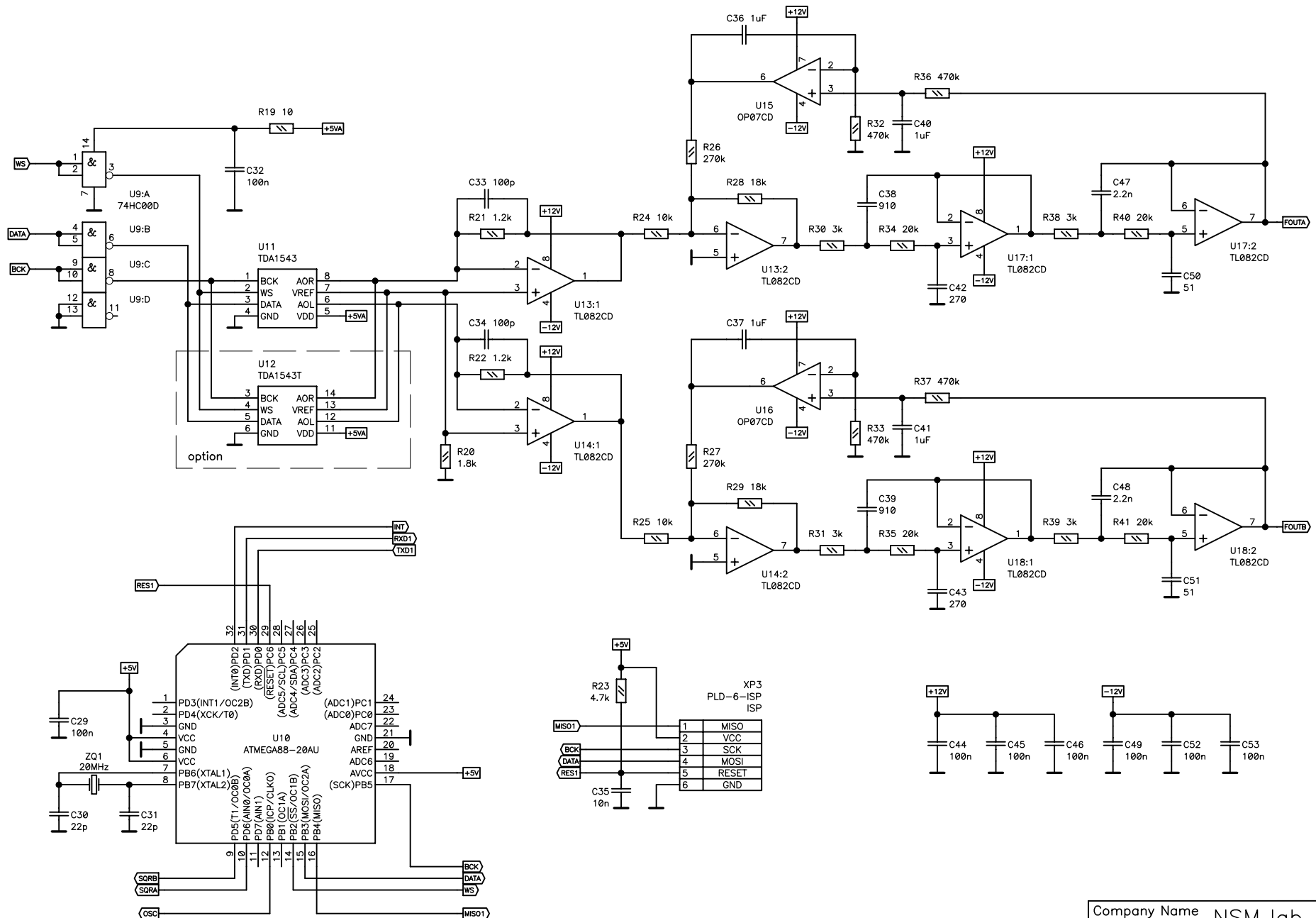


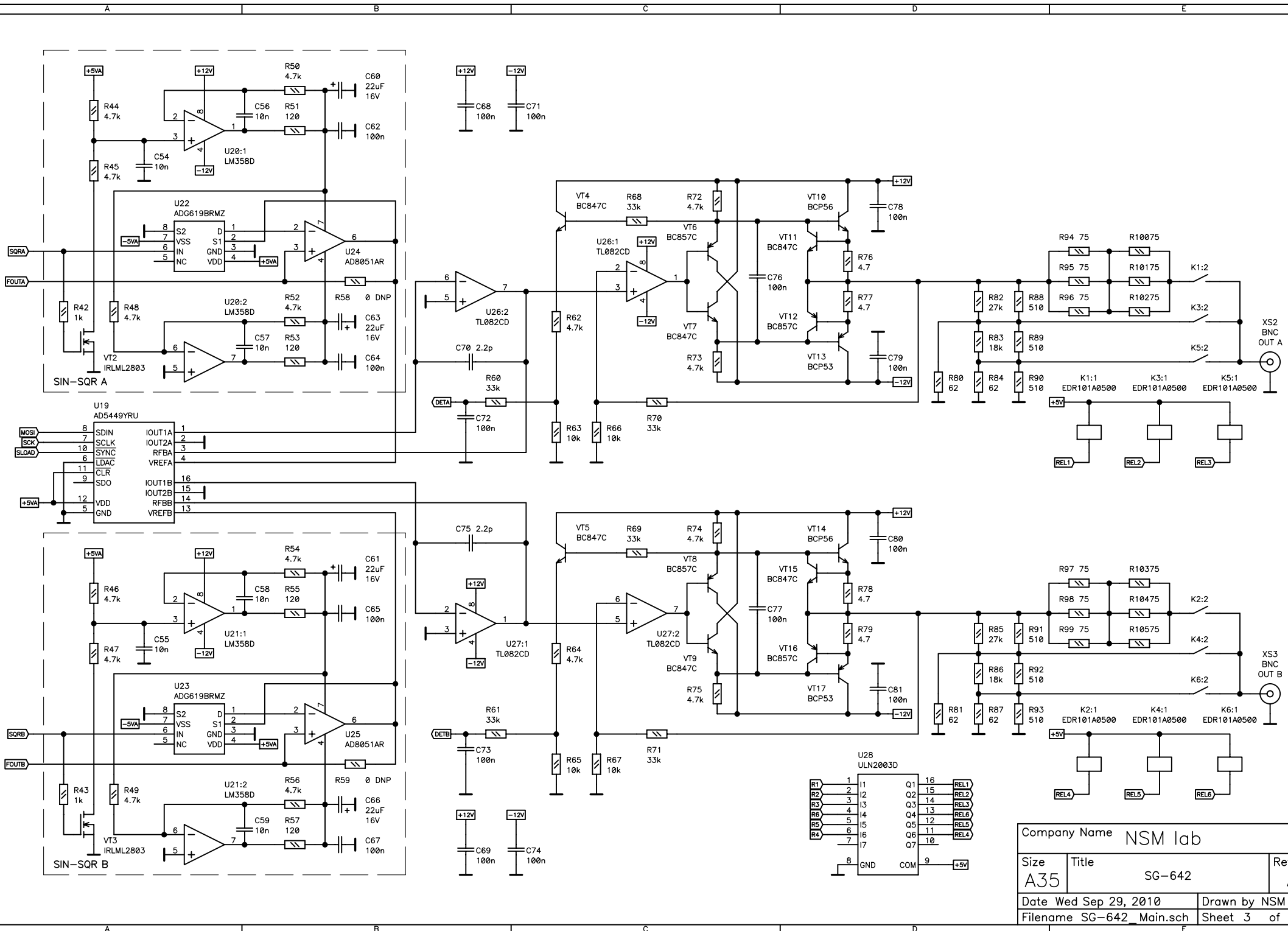
VCC	1
USBDM	2
USBDP	3
GND	4
SHIELD	5

MISO	1
VCC	2
SCK	3
MOSI	4
RESET	5
GND	6

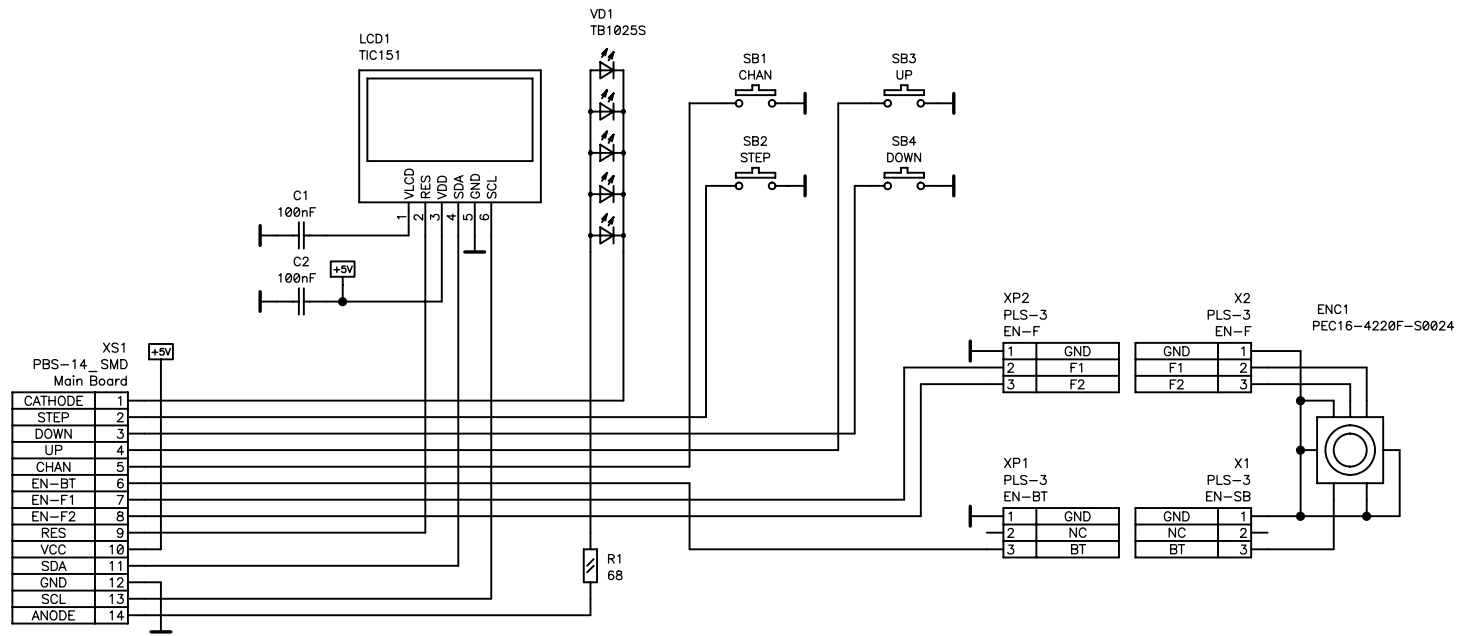
Company Name NSM lab		
Size A35	Title SG-642	Rev A
Date Wed Sep 29, 2010	Drawn by NSM lab	
Filename SG-642_Main.sch	Sheet 1 of 3	



Company Name NSM lab		
Size A35	Title SG-642	Rev A
Date Wed Sep 29, 2010	Drawn by NSM lab	
Filename SG-642_Main.sch	Sheet 2 of 3	



Company Name NSM lab		
Size A35	Title SG-642	Rev A
Date Wed Sep 29, 2010	Drawn by NSM lab	
Filename SG-642_Main.sch	Sheet 3 of 3	



XS1	
PBS-14_SMD	
Main Board	
CATHODE	1
STEP	2
DOWN	3
UP	4
CHAN	5
EN-BT	6
EN-F1	7
EN-F2	8
RES	9
VCC	10
SDA	11
GND	12
SCL	13
ANODE	14

Company Name NSM lab		
Size A35	Title PG-872	Rev A
Date Sat Sep 25, 2010	Drawn by NSM lab	
Filename SG-642_Panel.sch	Sheet 1 of 1	