

160-MHz, 32-bit RX MCU, on-chip FPU, 816 Core Mark, Supportive of 5V power supply, up to 1-MB flash memory, up to 128-KB SRAM, 32-KB data flash memory, 16-KB SRAM with ECC, Simultaneous sampling with 3 units of 12-bit A/D converter (up to 7 channels), Single-end/pseudo differential input supportive amplifier (6 channels), Analog comparator (6 channels), 160 MHz PWM (4 channels for 3-phase complementary, 2 channels for 5-phase complementary, 10 channels for single-phase complementary), 4-channel high-resolution PWM with resolution of 195 ps at the minimum, Host/function or OTG controller with full-speed USB 2.0 transfer, CAN, Encryption functions (optional)

Jul 30, 2018

## Features

### ■ 32-bit RXv3 CPU core

- Max. operating frequency: 160 MHz  
Capable of 816 Core Mark in operation at 160 MHz
- JTAG and FINE (one-line) debugging interfaces

### ■ Low-power design and architecture

- Operation from a single 2.7- to 5.5-V supply
- Four low-power modes

### ■ On-chip code flash memory

- Supports versions with 1 Mbytes/512 Kbytes/256 Kbytes
- No wait cycles at up to 120 MHz or when the ROM cache is hit
- User code is programmable by on-board or off-board programming.

### ■ On-chip data flash memory

- 32 Kbytes, reprogrammable up to 100,000 times
- Programming/erasing as background operations (BGOs)

### ■ On-chip SRAM, no wait states

- 128K/64 Kbytes of SRAM (no wait states)
- 16 Kbytes of RAM with ECC (with wait)

### ■ Data transfer

- DMACa: 8 channels
- DTCa: 1 channel

### ■ ELC

- Module operation can be initiated by event signals without using interrupts
- Linked operation between modules is possible when the CPU is in sleep mode

### ■ Reset and supply management

- Power-on reset (POR)
- Low voltage detection (LVDA) with voltage settings

### ■ Clock functions

- Frequency of resonator for main clock oscillator: 8 to 24 MHz (this can be used as the PLL reference clock)
- High-speed on-chip oscillator: 16 MHz/18 MHz/20 MHz (this can be used as the PLL reference clock)
- Low-speed on-chip oscillator: 240 kHz

### ■ Independent watchdog timer

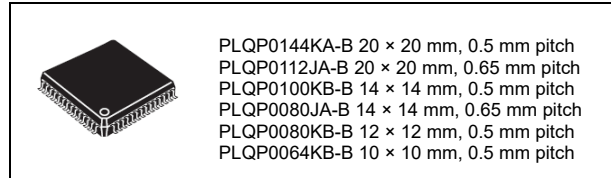
- 120-kHz IWDG-dedicated on-chip oscillator clock operation

### ■ Useful functions for IEC60730 compliance

- Oscillation-stoppage detection, functions for self-diagnosis and detection of disconnection for the A/D converter, clock frequency accuracy measurement circuit, independent watchdog timer, RAM test-assisting function by DOC, and CRCA, etc.
- Register write protection function can protect values in important registers against overwriting.

### ■ External bus

- Bus clock at 40 MHz (max)
- Four CS areas
- 8- or 16-bit bus space is selectable per area



### ■ Various communications interfaces

- Host/function or OTG controller (1 channel) with full-speed USB 2.0 (USBb) transfer
- CAN (compliant with ISO11898-1), incorporating 32 mailboxes (1 channel)
- SCIj and SCII with multiple functionalities (up to 6 channels)  
Choose from among asynchronous mode, clock-synchronous mode, smart-card interface mode, simplified SPI, simplified I<sup>2</sup>C, and extended serial mode.
- SCII with 16-byte transmission and reception FIFOs (1 channel)
- I<sup>2</sup>C bus interface (RIICa) for transfer at up to 400 kbps (fast mode), capable of SMBus operation (1 channel)
- RSPId (1 channel) for transfer at up to 30 Mbps

### ■ Up to 31 extended-function timers

- 32-bit GPTW (10 channels): operation at 160 MHz, input capture, output compare, PWM waveforms: 10 output channels in single-phase complementary PWM mode/3 output channels in 3-phase complementary PWM mode/2 output channels in 5-phase complementary PWM mode, phase-counting mode, linkage with comparator (counting operation, PWM negate control)
- 16-bit MTU3d (9 channels): operation at 160 MHz, input capture, output compare, PWM waveforms: 2 output channels in 3-phase complementary PWM mode, phase-counting mode
- 8-bit TMR (8 channels)
- 16-bit CMT (4 channels)

### ■ High-resolution PWM waveform generation circuit (HRPWM): 4 channels

- Controlling the timing of rising or falling of the PWM output waveform for 32-bit GPTW is realized with minimum of 195 ps resolution (in operation at 160 MHz)

### ■ 12-bit A/D converter (S12ADH): total of 30 channels for three units

- Up to three 12-bit units of sample-and-hold circuit included  
Unit 0 (8 channels for 3 sample-and-hold circuits),  
Unit 1 (8 channels for 3 sample-and-hold circuits),  
Unit 2 (14 channels)
- Programmable gain amplifier with pseudo differential amplification (3 channels × 2)

### ■ Analog Comparator (CMPC): 6 channels

### ■ 12-bit D/A converter: 2 channels

- Usable as a reference voltage for the analog comparator

### ■ Temperature sensor for measuring temperature within the chip

### ■ Encryption functions (Trusted Secure IP Lite)

- 128- or 256-bit key length of AES for ECB, CBC, GCM, others
- True random number generator
- Unauthorized access to the encryption engine is disabled and imposture and falsification of information are prevented
- Safe management of keys

### ■ Up to 110 pins for general I/O ports

- 5-V tolerance, open drain, input pull-up, switchable driving ability

### ■ Recommended operating temp. range (Topr)

- -40°C to +85°C
- -40°C to +105°C

## 1. Overview

### 1.1 Outline of Specifications

Table 1.1 lists the specifications in outline, and Table 1.2 gives a comparison of the functions of products in different packages.

Table 1.1 shows the outline of maximum specifications, and the number of peripheral module channels differs depending on the pin number on the package and the code flash memory capacity. For details, see Table 1.2, Comparison of Functions for Different Packages.

**Table 1.1 Outline of Specifications (1/9)**

Classification	Module/Function	Description
CPU	CPU	<ul style="list-style-type: none"> <li>Maximum operating frequency: 160 MHz</li> <li>32-bit RX CPU (RXv3)</li> <li>Minimum instruction execution time: One instruction per state (cycle of the system clock)</li> <li>Address space: 4-Gbyte linear</li> <li>Register set of the CPU               <ul style="list-style-type: none"> <li>General purpose: Sixteen 32-bit registers</li> <li>Control: Ten 32-bit registers</li> <li>Accumulator: Two 72-bit registers</li> </ul> </li> <li>111 instructions               <ul style="list-style-type: none"> <li>Standard provided instructions: 111                   <ul style="list-style-type: none"> <li>Basic instructions: 77</li> <li>Single precision floating point instructions: 11</li> <li>DSP instructions: 23</li> </ul> </li> </ul> </li> <li>Addressing modes: 11</li> <li>Data arrangement               <ul style="list-style-type: none"> <li>Instructions: Little endian</li> <li>Data: Selectable as little endian or big endian</li> </ul> </li> <li>On-chip 32-bit multiplier: 32 × 32 → 64 bits</li> <li>On-chip divider: 32/32 → 32 bits</li> <li>Barrel shifter: 32 bits</li> </ul>
	FPU	<ul style="list-style-type: none"> <li>Single-precision (32-bit) floating-point number</li> <li>Data types and floating-point exceptions in conformance with the IEEE754 standard</li> </ul>
Memory	Code flash memory	<ul style="list-style-type: none"> <li>Capacity: 1 Mbyte, 512 Kbytes, 256 Kbytes</li> <li>ROM cache: Operation of an 8-Kbyte instruction fetching cache can be enabled or disabled (this is disabled by default).               <ul style="list-style-type: none"> <li>While ROM cache operation is enabled:                   <ul style="list-style-type: none"> <li>- when the cache is hit, one-cycle access up to 160 MHz</li> <li>- when the cache is missed:                       <ul style="list-style-type: none"> <li>one to two cycles if ICLK ≤ 120 MHz (bus wait: 0 cycles),</li> <li>two to three cycles if ICLK &gt; 120 MHz (bus wait: 1 cycle).</li> </ul> </li> </ul> </li> <li>While ROM cache operation is disabled:                   <ul style="list-style-type: none"> <li>one cycle if ICLK ≤ 120 MHz (bus wait: 0 cycles),</li> <li>two cycles if ICLK &gt; 120 MHz (bus wait: 1 cycle).</li> </ul> </li> </ul> </li> <li>On-board programming: Five types</li> <li>Off-board programming (parallel programmer mode) (This is not available for 80/64-pin products)</li> <li>The trusted memory (TM) function protects against the reading of programs from blocks 8 and 9.</li> </ul>
	Data flash memory	<ul style="list-style-type: none"> <li>Capacity: 32 Kbytes</li> <li>Programming/erasing: 100,000 times</li> </ul>
	Unique ID	<ul style="list-style-type: none"> <li>12-byte unique ID for the device</li> </ul>
	RAM	<ul style="list-style-type: none"> <li>Capacity: 128 Kbytes, 64 Kbytes</li> <li>160 MHz No-wait access</li> <li>SED (single error detection)</li> </ul>
	RAM with ECC	<ul style="list-style-type: none"> <li>Capacity: 16 Kbytes</li> <li>00FF C000h to 00FF FFFFh (16 Kbytes)</li> <li>SEC-DED (single error correction/double error detection)</li> </ul>

Table 1.1 Outline of Specifications (2/9)

Classification	Module/Function	Description
Operating modes		<ul style="list-style-type: none"> <li>Operating modes by the mode-setting pins at the time of release from the reset state               <ul style="list-style-type: none"> <li>Single-chip mode</li> <li>Boot mode (SCI interface)</li> <li>Boot mode (USB interface)</li> <li>Boot mode (FINE interface)</li> <li>User boot mode</li> </ul> </li> <li>Selection of operating mode by register setting               <ul style="list-style-type: none"> <li>Single-chip mode, user boot mode, On-chip ROM disabled extended mode,</li> <li>On-chip ROM enabled extended mode</li> </ul> </li> <li>Endian selectable</li> </ul>
Clock	Clock generation circuit	<ul style="list-style-type: none"> <li>Main clock oscillator, low-speed/high-speed on-chip oscillator, PLL frequency synthesizer, and IWDG-dedicated on-chip oscillator</li> <li>The peripheral module clocks can be set to frequencies above that of the system clock.</li> <li>Main-clock oscillation stoppage detection</li> <li>Separate frequency-division and multiplication settings for the system clock (ICLK), peripheral module clocks (PCLKA, PCLKB, PCLKC, PCLKD), flash-IF clock (FCLK) and external bus clock (BCLK)</li> <li>The CPU and other bus masters run in synchronization with the system clock (ICLK): Up to 160 MHz</li> <li>Peripheral modules of MTU3 (Internal peripheral bus), GPTW (Internal peripheral bus), HRPWM (Internal peripheral bus), RSPI, and SCI11 run in synchronization with PCLKA, which operates at up to 120 MHz.</li> <li>Other peripheral modules run in synchronization with PCLKB: Up to 60 MHz</li> <li>MTU3 (counter reference clocks), GPTW (counter reference clocks), and HRPWM (reference clocks) are synchronized with PCLKC: Up to 160 MHz</li> <li>ADCLK in the S12AD runs in synchronization with PCLKD: Up to 60 MHz</li> <li>Flash IF run in synchronization with the flash-IF clock (FCLK): Up to 60 MHz</li> <li>Devices connected to the external bus run in synchronization with the external bus clock (BCLK): Up to 40 MHz</li> <li>Multiplication is possible with using the high-speed on-chip oscillator (HOCO) as a reference clock of the PLL circuit</li> </ul>
Reset		<p>Nine types of reset</p> <ul style="list-style-type: none"> <li>RES# pin reset: Generated when the RES# pin is driven low.</li> <li>Power-on reset: Generated when the RES# pin is driven high and VCC rises.</li> <li>Voltage-monitoring 0 reset: Generated when VCC falls.</li> <li>Voltage-monitoring 1 reset: Generated when VCC falls.</li> <li>Voltage-monitoring 2 reset: Generated when VCC falls.</li> <li>Deep software standby reset: Generated in response to an interrupt to trigger release from deep software standby.</li> <li>Independent watchdog timer reset: Generated when the independent watchdog timer underflows, or a refresh error occurs.</li> <li>Watchdog timer reset: Generated when the watchdog timer underflows, or a refresh error occurs.</li> <li>Software reset: Generated by register setting.</li> </ul>
Power-on reset		<p>If the RES# pin is at the high level when power is supplied, an internal reset is generated. After VCC has exceeded the voltage detection level and the specified period has elapsed, the reset is cancelled.</p>
Voltage detection circuit (LVDA)		<p>Monitors the voltage being input to the VCC pin and generates an internal reset or internal interrupt.</p> <ul style="list-style-type: none"> <li>Voltage detection circuit 0           <ul style="list-style-type: none"> <li>Capable of generating an internal reset</li> <li>The option-setting memory can be used to select enabling or disabling of the reset.</li> <li>Voltage detection level: Selectable from two different levels</li> </ul> </li> <li>Voltage detection circuits 1 and 2           <ul style="list-style-type: none"> <li>Voltage detection level: Selectable from five different levels</li> <li>Digital filtering (1/2, 1/4, 1/8, and 1/16 LOCO frequency)</li> <li>Capable of generating an internal reset</li> </ul> </li> <li>Two types of timing are selectable for release from reset           <ul style="list-style-type: none"> <li>An internal interrupt can be requested.</li> </ul> </li> <li>Detection of voltage rising above and falling below thresholds is selectable.</li> <li>Maskable or non-maskable interrupt is selectable</li> <li>Voltage detection monitoring</li> <li>Event linking</li> </ul>

**Table 1.1 Outline of Specifications (3/9)**

Classification	Module/Function	Description
Low power consumption	Low power consumption facilities	<ul style="list-style-type: none"> <li>Module stop function</li> <li>Four low power consumption modes Sleep mode, all-module clock stop mode, software standby mode, and deep software standby mode</li> </ul>
Interrupt	Interrupt controller (ICUC)	<ul style="list-style-type: none"> <li>Interrupt vectors : 256</li> <li>External interrupts: 16 (pins IRQ0 to IRQ15)</li> <li>Software interrupts: 2 sources</li> <li>Non-maskable interrupts: 7 sources</li> <li>Sixteen levels specifiable for the order of priority</li> <li>Method of interrupt source selection: The interrupt vectors consist of 256 vectors (208 sources are fixed. The remaining 135 vectors are selected from among the other 48 sources.)</li> </ul>
External bus extension		<ul style="list-style-type: none"> <li>The external address space can be divided into four areas (CS0 to CS3), each with independent control of access settings. Capacity of each area: 2 Mbytes (CS0 to CS3) A chip-select signal (CS0# to CS3#) can be output for each area. Each area is specifiable as an 8- or 16-bit bus space. The data arrangement in each area is selectable as little or big endian (only for data).</li> <li>Bus format: Separate bus, multiplex bus</li> <li>Wait control</li> <li>Write buffer facility</li> </ul>
DMA	DMA controller (DMACa)	<ul style="list-style-type: none"> <li>8 channels</li> <li>Three transfer modes: Normal transfer, repeat transfer, and block transfer</li> <li>Request sources: Software trigger, external interrupts, and interrupt requests from peripheral functions</li> </ul>
	Data transfer controller (DTCa)	<ul style="list-style-type: none"> <li>Three transfer modes: Normal transfer, repeat transfer, and block transfer</li> <li>Request sources: External interrupts and interrupt requests from peripheral functions</li> </ul>
I/O ports	Programmable I/O ports	<ul style="list-style-type: none"> <li>I/O ports for the 144-pin LFQFP I/O pins: 110 Input pin: 9 Pull-up resistors: 110 Open-drain outputs: 110 5-V tolerance: 4 Large current output: 15</li> <li>I/O ports for the 112-pin LQFP I/O pins: 84 Input pin: 9 Pull-up resistors: 84 Open-drain outputs: 84 5-V tolerance: 2 Large current output: 15</li> <li>I/O ports for the 100-pin LFQFP (with PGA pseudo-differential input, and with USB) I/O pins: 69 Input pin: 9 Pull-up resistors: 69 Open-drain outputs: 69 5-V tolerance: 3 Large current output: 15</li> <li>I/O ports for the 100-pin LFQFP (with PGA pseudo-differential input, and without USB) I/O pins: 72 Input pin: 9 Pull-up resistors: 72 Open-drain outputs: 72 5-V tolerance: 2 (products with 64 Kbytes of RAM), 3 (products with 128 Kbytes of RAM) Large current output: 15</li> <li>I/O ports for the 100-pin LFQFP (without PGA pseudo-differential input, and without USB) I/O pins: 73 Input pin: 7 Pull-up resistors: 73 Open-drain outputs: 73 5-V tolerance: 2 (products with 64 Kbytes of RAM), 3 (products with 128 Kbytes of RAM) Large current output: 15</li> </ul>

**Table 1.1 Outline of Specifications (4/9)**

Classification	Module/Function	Description
I/O ports	Programmable I/O ports	<ul style="list-style-type: none"> <li>I/O ports for the 80-pin LFQFP, 80-pin LQFP               <ul style="list-style-type: none"> <li>I/O pins: 52</li> <li>Input pin: 9</li> <li>Pull-up resistors: 52</li> <li>Open-drain outputs: 52</li> <li>5-V tolerance: 2</li> <li>Large current output: 14</li> </ul> </li> <li>I/O ports for the 64-pin LFQFP               <ul style="list-style-type: none"> <li>I/O pins: 39</li> <li>Input pin: 7</li> <li>Pull-up resistors: 39</li> <li>Open-drain outputs: 39</li> <li>5-V tolerance: 2</li> <li>Large current output: 14</li> </ul> </li> </ul>
	Event link controller (ELC)	<ul style="list-style-type: none"> <li>Event signals such as interrupt request signals can be interlinked with the operation of functions such as timer counting, eliminating the need for intervention by the CPU to control the functions.</li> <li>188 internal event signals can be freely combined for interlinked operation with connected functions.</li> <li>Event signals from peripheral modules can be used to change the states of output pins (of ports B and E).</li> <li>Changes in the states of pins (of ports B and E) being used as inputs can be interlinked with the operation of peripheral modules.</li> </ul>
Timers	8-bit timers (TMR)	<ul style="list-style-type: none"> <li>(8 bits × 2 channels) × 4 units</li> <li>Select from among seven internal clock signals (PCLKB/1, PCLKB/2, PCLKB/8, PCLKB/32, PCLKB/64, PCLKB/1024, PCLKB/8192) and one external clock signal</li> <li>Capable of output of pulse trains with desired duty cycles or of PWM signals</li> <li>The 2 channels of each unit can be cascaded to create a 16-bit timer</li> <li>Generation of triggers for A/D converter conversion</li> <li>Capable of generating baud-rate clocks for SCI5, SCI6, and SCI12</li> <li>Event linking by the ELC</li> </ul>
	Compare match timer (CMT)	<ul style="list-style-type: none"> <li>(16 bits × 2 channels) × 2 units</li> <li>Select from among four internal clock signals (PCLKB/8, PCLKB/32, PCLKB/128, PCLKB/512)</li> <li>Event linking by the ELC</li> </ul>
	Watchdog timer (WDTA)	<ul style="list-style-type: none"> <li>14 bits × 1 channel</li> <li>Select from among 6 counter-input clock signals (PCLKB/4, PCLKB/64, PCLKB/128, PCLKB/512, PCLKB/2048, PCLKB/8192)</li> </ul>
	Independent watchdog timer (IWDtA)	<ul style="list-style-type: none"> <li>14 bits × 1 channel</li> <li>Counter-input clock: IWDtA-dedicated on-chip oscillator</li> <li>Dedicated clock/1, dedicated clock/16, dedicated clock/32, dedicated clock/64, dedicated clock/128, dedicated clock/256</li> <li>Window function: The positions where the window starts and ends are specifiable (the window defines the timing with which refreshing is enabled and disabled).</li> <li>Event linking by the ELC</li> </ul>

**Table 1.1 Outline of Specifications (5/9)**

Classification	Module/Function	Description
Timers	Multifunction timer pulse unit 3 (MTU3d)	<ul style="list-style-type: none"> <li>• 9 channels (16 bits × 9 channels)</li> <li>• Maximum of 28 pulse-input/output and 3 pulse-input possible</li> <li>• Select from among 14 counter-input clock signals for each channel (PCLKC/1, PCLKC/2, PCLKC/4, PCLKC/8, PCLKC/16, PCLKC/32, PCLKC/64, PCLKC/256, PCLKC/1024, MTCLKA, MTCLKB, MTCLKC, MTCLKD, MTIOC1A) 11 of the signals are available for channels 1, 3, 4, 12 are available for channel 2, and 10 are available for channel 5.</li> <li>• 43 output compare/input capture registers</li> <li>• Counter clear operation (synchronous clearing by compare match/input capture)</li> <li>• Simultaneous writing to multiple timer counters (TCNT)</li> <li>• Simultaneous register input/output by synchronous counter operation</li> <li>• Buffered operation</li> <li>• Support for cascade-connected operation</li> <li>• 45 interrupt sources</li> <li>• Automatic transfer of register data</li> <li>• Pulse output mode Toggle/PWM/complementary PWM/reset-synchronized PWM</li> <li>• Complementary PWM output mode Outputs non-overlapping waveforms for controlling 3-phase inverters Automatic specification of dead times PWM duty cycle: Selectable as any value from 0% to 100% Delay can be applied to requests for A/D conversion. Non-generation of interrupt requests at peak or trough values of counters can be selected. Double buffer configuration</li> <li>• Reset synchronous PWM mode Three phases of positive and negative PWM waveforms can be output with desired duty cycles.</li> <li>• Phase-counting mode: 16-bit mode (channels 1 and 2); 32-bit mode (channels 1 and 2)</li> <li>• Counter functionality for dead-time compensation</li> <li>• Generation of triggers for A/D converter conversion The timing of the generation of requests to start A/D conversion can be monitored by an external pin.</li> <li>• A/D converter start triggers can be skipped</li> <li>• Digital filter function for signals on the input capture and external counter clock pins</li> <li>• Event linking by the ELC</li> <li>• Internal peripheral bus clock: PCLKA</li> <li>• Counter reference clock: PCLKC</li> <li>• Frequency ratio: PCLKA to PCLKC = 1: N (N = 1 or 2)</li> </ul>
	Port output enable 3 (POE3B)	<ul style="list-style-type: none"> <li>• Control of the high-impedance state of the MTU3/GPTW's waveform output pins, and control of switching to the general I/O port pin</li> <li>• 9 pins for input from signal sources: POE0, POE4, POE8, POE9, POE10, POE11, POE12, POE13, POE14</li> <li>• Initiation by detection of short-circuited outputs (detection of PWM outputs that have become an active level simultaneously)</li> <li>• Initiation by comparator detection/oscillation stop detection/software</li> <li>• Additional programming of output control target pins is enabled</li> </ul>

**Table 1.1 Outline of Specifications (6/9)**

Classification	Module/Function	Description
Timers	General PWM timer (GPTW)	<ul style="list-style-type: none"> <li>• 32 bits × 10 channels</li> <li>• Counting up or down (sawtooth-wave), counting up and down (triangle-wave) selectable for all channels</li> <li>• Clock sources independently selectable for each channel</li> <li>• 2 input/output pins per channel</li> <li>• 2 output compare/input capture registers per channel</li> <li>• For the 2 output compare/input capture registers of each channel, 4 registers are provided as buffer registers and are capable of operating as comparison registers when buffering is not in use.</li> <li>• In output compare operation, buffer switching can be at peaks or troughs, enabling the generation of laterally asymmetrically PWM waveforms.</li> <li>• Registers for setting up frame intervals on each channel (with capability for generating interrupts on overflow or underflow)</li> <li>• Generation of dead times in PWM operation</li> <li>• Capable of synchronous start, stop, or clearing of counter for any channel</li> <li>• Capable of a start, stop, clearing, or up-/down-counting of the counter supporting maximum of 8 ELC events</li> <li>• Capable of a start, stop, clearing, or up-/down-counting of the counter supporting input level comparison</li> <li>• Capable of a start, stop, clearing, or up-/down-counting of the counter supporting maximum of 4 external triggers</li> <li>• Output pin disabling function by a dead time error or a short circuit detection among output pins</li> <li>• Capable of generating conversion start triggers for the A/D converters as well as monitoring external pins for a start timing of conversion.</li> <li>• Capable of outputting events, such as compare-match from A to F and overflow/underflow, to ELC</li> <li>• Capable of using noise filter of input capture</li> <li>• Internal peripheral bus clock: PCLKA</li> <li>• Counter reference clock: PCLKC</li> <li>• Frequency ratio: PCLKA to PCLKC = 1: N (N = 1 or 2)</li> </ul>
	High resolution PWM (HRPWM)	<ul style="list-style-type: none"> <li>• Capable of generating the PWM waveform that is generated by GPTW0 through GPTW3 with resolution of minimum of 195 ps.</li> </ul>
	Port output enable for GPTW (POEG)	<ul style="list-style-type: none"> <li>• Controlling the output disable for GPTW waveform output</li> <li>• Initiation by input level detection of GTETRG pins</li> <li>• Initiation by output disable request from GPTW</li> <li>• Initiation by detection of comparator interrupt request</li> <li>• Initiation by detection of oscillation stop or by software</li> </ul>
Communication function	USB 2.0 FS host/function module (USBb)	<ul style="list-style-type: none"> <li>• Includes a UDC (USB Device Controller) and transceiver for USB 2.0 FS</li> <li>• One port</li> <li>• Compliance with the USB 2.0 specification</li> <li>• Transfer rate: Full speed (12 Mbps), low speed (1.5 Mbps) (host only)</li> <li>• Self-power mode and bus power are selectable</li> <li>• OTG (On the Go) operation is possible (low-speed is not supported)</li> <li>• Incorporates 2 Kbytes of RAM as a transfer buffer</li> <li>• External pull-up and pull-down resistors are not required</li> </ul>



**Table 1.1 Outline of Specifications (7/9)**

Classification	Module/Function	Description
Communication function	Serial communications interfaces (SCIj, SCli, SClh)	<ul style="list-style-type: none"> <li>• 7 channels SCIj: SCI1, SCI5, SCI6, SCI8, SCI9 SCli: SCI11 SClh: SCI12</li> <li>• SCIj, SCli, SClh Serial communications modes: Asynchronous, clock synchronous, and smart-card interface Multi-processor function On-chip baud rate generator allows selection of the desired bit rate Choice of LSB-first or MSB-first transfer Average transfer rate clock can be input from TMR timers for SCI5, SCI6, and SCI12 Start-bit detection: Level or edge detection is selectable. Simple I<sup>2</sup>C Simple SPI 7, 8, 9-bit transfer mode Bit rate modulation Double-speed mode Data match detection (SCI12 is not supported) Event linking by the ELC (supported by SCI5 only)</li> <li>• SCli Only Capable of serial sending and receiving with 16-byte FIFO-buffered structure both at transmission and reception sections</li> <li>• SClh Only Supports the serial communications protocol, which contains the start frame and information frame Supports the LIN format</li> </ul>
	I <sup>2</sup> C bus interface (RIICa)	<ul style="list-style-type: none"> <li>• 1 channel Communication formats I<sup>2</sup>C bus format/SMBus format Supports the multi-master Max. transfer rate: 400 kbps</li> <li>• Event linking by the ELC</li> </ul>
	CAN module (CAN)	<ul style="list-style-type: none"> <li>• 1 channel</li> <li>• Compliance with the ISO11898-1 specification (standard frame and extended frame)</li> <li>• 32 mailboxes per channel</li> </ul>
	Serial peripheral interface (RSPic)	<ul style="list-style-type: none"> <li>• 1 channel</li> <li>• RSPi transfer facility Using the MOSI (master out, slave in), MISO (master in, slave out), SSL (slave select), and RSPCK (RSPi clock) signals enables serial transfer through SPI operation (four lines) or clock-synchronous operation (three lines) Capable of handling serial transfer as a master or slave</li> <li>• Data formats Switching between MSB first and LSB first The number of bits in each transfer can be changed to any number of bits from 8 to 16, 20, 24, or 32 bits. 128-bit buffers for transmission and reception Up to four frames can be transmitted or received in a single transfer operation (with each frame having up to 32 bits)</li> <li>• Buffered structure Double buffers for both transmission and reception</li> <li>• RSPCK can be stopped with the receive buffer full for master reception.</li> <li>• Event linking by the ELC</li> </ul>



**Table 1.1 Outline of Specifications (8/9)**

Classification	Module/Function	Description
12-bit A/D converter (S12ADH)		<ul style="list-style-type: none"> <li>• 12 bits (8 channels × 2 units, 14 channels × 1 unit)</li> <li>• 12-bit resolution</li> <li>• Minimum conversion time 0.9 μs per channel (when ADCLK operates at 60 MHz)</li> <li>• Operating mode Scan mode (single scan mode, continuous scan mode, or 3 group scan mode) Group A priority control (only for 3 group scan mode)</li> <li>• Sample-and-hold function channel-dedicated sample-and-hold function (unit 0 × 3 channels, unit 1 × 3 channels) included</li> <li>• Sampling variable Sampling time can be set up for each channel.</li> <li>• Conversion function in order of arbitrarily selected channels (Serial conversion of the same channel cannot be allowed)</li> <li>• Double trigger mode (A/D conversion data duplicated)</li> <li>• Three ways to start A/D conversion Software trigger, synchronous trigger (MTU, TMR, ELC), external trigger</li> <li>• Prioritization in group scanning can be controlled among group A, B, and C.</li> <li>• Digital comparison Method: Comparison to detect voltages above or below thresholds and window comparison Measurement: Comparison of two results of conversion or comparison of a value in the comparison register and a result of conversion</li> <li>• Self-diagnostic function</li> <li>• Detection of analog input disconnection</li> <li>• Event linking by the ELC</li> <li>• Input signal amplification function by the programmable gain amplifier (unit 0 × 3 channels, unit 1 × 3 channels) Capable of supporting single end/pseudo-differential input</li> </ul>
12-bit D/A converter (R12DAb)		<ul style="list-style-type: none"> <li>• 2 channels</li> <li>• 12-bit resolution</li> <li>• Output voltage: 0 V to AVCC2</li> <li>• Capable of providing as a reference voltage for comparator</li> <li>• Event linking by the ELC</li> </ul>
Comparator C (CMPC)		<ul style="list-style-type: none"> <li>• 6 channels</li> <li>• Function to compare the reference voltage and the analog input voltage</li> <li>• Reference voltage is selectable from 4 inputs</li> <li>• Analog input voltage is selectable from 4 inputs</li> <li>• Digital filtering</li> </ul>
Temperature sensor		<ul style="list-style-type: none"> <li>• 1 channel</li> <li>• Relative precision: ±1.0°C</li> <li>• The voltage of the temperature is converted into a digital value by the 12-bit A/D converter (unit 2).</li> </ul>
Safety	Memory protection unit (MPU)	<ul style="list-style-type: none"> <li>• Protection area: Eight areas (max.) can be specified in the range from 0000 0000h to FFFF FFFFh.</li> <li>• Minimum protection unit: 16 bytes</li> <li>• Reading from, writing to, and enabling the execution access can be specified for each area.</li> <li>• An access exception occurs when the detected access is not in the permitted area.</li> </ul>
	Trusted Memory (TM) Function	<ul style="list-style-type: none"> <li>• Protects against the reading of programs from blocks 8 and 9 of the code flash memory</li> <li>• Instruction fetching by the CPU is the only form of access to these areas when the TM function is enabled.</li> </ul>
	Register write protection function	<ul style="list-style-type: none"> <li>• Protects important registers from being overwritten for in case a program runs out of control.</li> </ul>

Table 1.1 Outline of Specifications (9/9)

Classification	Module/Function	Description
Safety	CRC calculator (CRCA)	<ul style="list-style-type: none"> <li>• Generation of CRC codes for 8-/32-bit data 8-bit data Selectable from the following three polynomials <math>X^8 + X^2 + X + 1</math>, <math>X^{16} + X^{15} + X^2 + 1</math>, <math>X^{16} + X^{12} + X^5 + 1</math> 32-bit data Selectable from the following two polynomials <math>X^{32} + X^{26} + X^{23} + X^{22} + X^{16} + X^{12} + X^{11} + X^{10} + X^8 + X^7 + X^5 + X^4 + X^2 + X + 1</math>, <math>X^{32} + X^{28} + X^{27} + X^{26} + X^{25} + X^{23} + X^{22} + X^{20} + X^{19} + X^{18} + X^{14} + X^{13} + X^{11} + X^{10} + X^9 + X^8 + X^6 + 1</math></li> <li>• Generation of CRC codes for use with LSB-first or MSB-first communications is selectable</li> </ul>
	Main clock oscillation stop detection function	<ul style="list-style-type: none"> <li>• Main clock oscillation stop detection: Available</li> </ul>
	Clock frequency accuracy measurement circuit (CAC)	<ul style="list-style-type: none"> <li>• Monitors the clock output from the main clock oscillator, low- and high-speed on-chip oscillators, the PLL frequency synthesizer, IWDWT-dedicated on-chip oscillator, and PCLKB.</li> </ul>
	Data operation circuit (DOC)	<ul style="list-style-type: none"> <li>• The function to compare, add, or subtract 16-bit data</li> </ul>
Encryption functions	Trusted Secure IP (TSIP-Lite)	<ul style="list-style-type: none"> <li>• Access management circuit</li> <li>• Encryption engine 128- or 256-bit key sizes of AES Block cipher mode of operation: GCM, ECB, CBC, CMAC, XTS, CTR, GCTR</li> <li>• Hash function</li> <li>• True random number generator</li> <li>• Prevention from illicit copying of a key</li> </ul>
Operating frequency		Up to 160 MHz
Power supply voltage		VCC = 2.7 to 5.5V AVCC0 = AVCC1 = AVCC2 = 3.0 to 5.5V (VCC ≤ AVCC0 = AVCC1 = AVCC2) With USB in use: VCC_USB = 3.0 to 3.6V (VCC ≥ VCC_USB) With USB not in use: VCC_USB = VCC VSS = AVSS0 = AVSS1 = AVSS2 = VSS_USB = 0V
Operating temperature		D-version: -40 to +85°C G-version: -40 to +105°C (in planning)
Package		144-pin LQFP 0.5 mm pitch (in planning) 112-pin LQFP 0.65 mm pitch 100-pin LQFP 0.5 mm pitch 80-pin LQFP 0.5 mm pitch 80-pin LQFP 0.65 mm pitch 64-pin LQFP 0.5 mm pitch
Debugging interfaces		<ul style="list-style-type: none"> <li>• JTAG and One-line FINE interfaces</li> </ul>

Table 1.2 Comparison of Functions for Different Packages (1/2)

Module/Functions		RX66T Group								
		RAM 128 Kbytes				RAM 64 Kbytes				
		With PGA pseudo-differential input			Without PGA pseudo-differential input	With PGA pseudo-differential input			Without PGA pseudo-differential input	
		With USB		Without USB		With USB		Without USB		
		144 Pins	100 Pins	100 Pins	100 Pins	112 Pins	100 Pins	80 Pins	64 Pins	100 Pins
Code flash memory capacity		Maximum 1 Mbyte				Maximum 512 Kbytes				
External bus	External bus width	16 bits					—	—	16 bits	
	Address Space	2 Mbytes × 4 areas			2 Mbytes × 3 areas			—	—	2 Mbytes × 3 areas
External interrupts	NMI	Available								
	IRQ	16 channels					13 channels	11 channels	16 channels	
DMA	DMA controller	Available								
	Data transfer controller	Available								
Timers	Multifunction timer pulse unit 3	9 channels (Ch. 0 to 7, Ch. 9)								
	General PWM timer	10 channels								
	High resolution PWM	4 channels								
	Port output enable 3	Available								
	Port Output Enable for GPTW	Available								
	8-bit timer	2 channels × 4 units								
	Compare match timer	2 channels × 2 units								
	Independent watchdog timer	Available								
Communication functions	USB 2.0 FS host/function module	1 channel		—						
	Serial communications interfaces (SCIj)	5 channels (SCI1, 5, 6, 8, 9)								
	Serial communications interfaces (SCli)	1 channel (SCI11)								
	Serial communications interfaces (SCIh)	1 channel (SCI12)								
	I <sup>2</sup> C bus interfaces	1 channel								
	Serial peripheral interface	1 channel								
	CAN module	1 channel								

Table 1.2 Comparison of Functions for Different Packages (2/2)

Module/Functions	RX66T Group								
	RAM 128 Kbytes				RAM 64 Kbytes				
	With PGA pseudo-differential input			Without PGA pseudo-differential input	With PGA pseudo-differential input				Without PGA pseudo-differential input
	With USB		Without USB						
	144 Pins	100 Pins	100 Pins	100 Pins	112 Pins	100 Pins	80 Pins	64 Pins	100 Pins
12-bit A/D Converter	AN000 to 007*1 (unit 0: 8 channels)	AN000 to 003, 007*1 (unit 0: 5 channels)	AN000 to 003 (unit 0: 4 channels)	AN000 to 003, 007*1 (unit 0: 5 channels)	AN000 to 003, 007*1 (unit 0: 5 channels)	AN000 to 003, 007*1 (unit 0: 5 channels)	AN000 to 002, 007*1 (unit 0: 4 channels)	AN000 to 003 (unit 0: 4 channels)	AN000 to 003 (unit 0: 4 channels)
	AN100 to 107*1 (unit 1: 8 channels)	AN100 to 103, 107*1 (unit 1: 5 channels)	AN100 to 103 (unit 1: 4 channels)	AN100 to 103, 107*1 (unit 1: 5 channels)	AN100 to 103, 107*1 (unit 1: 5 channels)	AN100 to 103, 107*1 (unit 1: 5 channels)	AN100 to 102, 107*1 (unit 1: 4 channels)	AN100 to 103 (unit 1: 4 channels)	AN100 to 103 (unit 1: 4 channels)
	AN200 to 211, 216, 217 (unit 2: 14 channels)	AN200 to 203, 206 to 211, 216, 217 (unit 2: 12 channels)	AN200 to 211, 216, 217 (unit 2: 14 channels)	AN200 to 203, 206 to 211, 216, 217 (unit 2: 12 channels)	AN200 to 203, 208, 210, 211, 216, 217 (unit 2: 9 channels)	AN200 to 202, 210, 211, 216, 217 (unit 2: 7 channels)	AN200 to 211, 216, 217 (unit 2: 14 channels)	AN200 to 211, 216, 217 (unit 2: 14 channels)	AN200 to 211, 216, 217 (unit 2: 14 channels)
3 channels simultaneous sampling function	3 channels × 2 units (unit 0, 1)								
Programmable gain amplifier	6 channels								
Comparator C	6 channels								
D/A converter	2 channels								
Temperature sensor	1 channel								
CRC calculator	Available								
Clock frequency accuracy measurement circuit	Available								
Trusted Secure IP (TSIP-Lite)	Available/Not available								
Event link controller	Available								
Packages	144-pin LQFP	100-pin LQFP	100-pin LQFP	100-pin LQFP	112-pin LQFP	100-pin LQFP	80-pin LQFP, LQFP	64-pin LQFP	100-pin LQFP

Note 1. AN007 and AN107 cannot be used when PGA pseudo-differential input is enabled.

## 1.2 List of Products

Table 1.3 is a list of products, and Figure 1.1 shows how to read the product part no.

**Table 1.3 List of Products (1/3)**

Group	Part No.	Part No. (for Orders)	Package	Code Flash Memory Capacity	RAM Capacit y	Data Flash Memory Capacity	PGA pseudo- differential input	TSIP-Lite	USB	Operati ng temper ature	Note
RX66T	R5F566TKCD FB	R5F566TKCD FB#30	PLQP0144KA- B	1 Mbyte	128 Kbytes	32 Kbytes	Available	Not available	Available	-40 to 85°C	in planning
	R5F566TKGD FB	R5F566TKGD FB#30	PLQP0144KA- B	1 Mbyte	128 Kbytes	32 Kbytes	Available	Available	Available	-40 to 85°C	in planning
	R5F566TFCD FB	R5F566TFCD FB#30	PLQP0144KA- B	512 Kbytes	128 Kbytes	32 Kbytes	Available	Not available	Available	-40 to 85°C	in planning
	R5F566TFGD FB	R5F566TFGD FB#30	PLQP0144KA- B	512 Kbytes	128 Kbytes	32 Kbytes	Available	Available	Available	-40 to 85°C	in planning
	R5F566TEAD FH	R5F566TEAD FH#30	PLQP0112JA- B	512 Kbytes	64 Kbytes	32 Kbytes	Available	Not available	Not available	-40 to 85°C	
	R5F566TEED FH	R5F566TEED FH#30	PLQP0112JA- B	512 Kbytes	64 Kbytes	32 Kbytes	Available	Available	Not available	-40 to 85°C	
	R5F566TAAD FH	R5F566TAAD FH#30	PLQP0112JA- B	256 Kbytes	64 Kbytes	32 Kbytes	Available	Not available	Not available	-40 to 85°C	
	R5F566TAED FH	R5F566TAED FH#30	PLQP0112JA- B	256 Kbytes	64 Kbytes	32 Kbytes	Available	Available	Not available	-40 to 85°C	
	R5F566TKAD FP	R5F566TKAD FP#30	PLQP0100KB- B	1 Mbyte	128 Kbytes	32 Kbytes	Available	Not available	Not available	-40 to 85°C	in planning
	R5F566TKBD FP	R5F566TKBD FP#30	PLQP0100KB- B	1 Mbyte	128 Kbytes	32 Kbytes	Not available	Not available	Not available	-40 to 85°C	in planning
	R5F566TKCD FP	R5F566TKCD FP#30	PLQP0100KB- B	1 Mbyte	128 Kbytes	32 Kbytes	Available	Not available	Available	-40 to 85°C	in planning
	R5F566TKED FP	R5F566TKED FP#30	PLQP0100KB- B	1 Mbyte	128 Kbytes	32 Kbytes	Available	Available	Not available	-40 to 85°C	in planning
	R5F566TKFD FP	R5F566TKFD FP#30	PLQP0100KB- B	1 Mbyte	128 Kbytes	32 Kbytes	Not available	Available	Not available	-40 to 85°C	in planning
	R5F566TKGD FP	R5F566TKGD FP#30	PLQP0100KB- B	1 Mbyte	128 Kbytes	32 Kbytes	Available	Available	Available	-40 to 85°C	in planning
	R5F566TFADF P	R5F566TFADF P#30	PLQP0100KB- B	512 Kbytes	128 Kbytes	32 Kbytes	Available	Not available	Not available	-40 to 85°C	in planning
	R5F566TFBD FP	R5F566TFBD FP#30	PLQP0100KB- B	512 Kbytes	128 Kbytes	32 Kbytes	Not available	Not available	Not available	-40 to 85°C	in planning
	R5F566TFCD FP	R5F566TFCD FP#30	PLQP0100KB- B	512 Kbytes	128 Kbytes	32 Kbytes	Available	Not available	Available	-40 to 85°C	in planning
	R5F566TFED FP	R5F566TFED FP#30	PLQP0100KB- B	512 Kbytes	128 Kbytes	32 Kbytes	Available	Available	Not available	-40 to 85°C	in planning
	R5F566TFFDF P	R5F566TFFDF P#30	PLQP0100KB- B	512 Kbytes	128 Kbytes	32 Kbytes	Not available	Available	Not available	-40 to 85°C	in planning
	R5F566TFGD FP	R5F566TFGD FP#30	PLQP0100KB- B	512 Kbytes	128 Kbytes	32 Kbytes	Available	Available	Available	-40 to 85°C	in planning
	R5F566TEAD FP	R5F566TEAD FP#30	PLQP0100KB- B	512 Kbytes	64 Kbytes	32 Kbytes	Available	Not available	Not available	-40 to 85°C	
	R5F566TEBD FP	R5F566TEBD FP#30	PLQP0100KB- B	512 Kbytes	64 Kbytes	32 Kbytes	Not available	Not available	Not available	-40 to 85°C	
	R5F566TEED FP	R5F566TEED FP#30	PLQP0100KB- B	512 Kbytes	64 Kbytes	32 Kbytes	Available	Available	Not available	-40 to 85°C	
	R5F566TEFD FP	R5F566TEFD FP#30	PLQP0100KB- B	512 Kbytes	64 Kbytes	32 Kbytes	Not available	Available	Not available	-40 to 85°C	
	R5F566TAAD FP	R5F566TAAD FP#30	PLQP0100KB- B	256 Kbytes	64 Kbytes	32 Kbytes	Available	Not available	Not available	-40 to 85°C	
	R5F566TABD FP	R5F566TABD FP#30	PLQP0100KB- B	256 Kbytes	64 Kbytes	32 Kbytes	Not available	Not available	Not available	-40 to 85°C	
	R5F566TAED FP	R5F566TAED FP#30	PLQP0100KB- B	256 Kbytes	64 Kbytes	32 Kbytes	Available	Available	Not available	-40 to 85°C	

Table 1.3 List of Products (2/3)

Group	Part No.	Part No. (for Orders)	Package	Code Flash Memory Capacity	RAM Capacit y	Data Flash Memory Capacity	PGA pseudo- differential input	TSIP-Lite	USB	Operati ng temper ature	Note
RX66T	R5F566TAFDFP	R5F566TAFDFP#30	PLQP0100KB-B	256 Kbytes	64 Kbytes	32 Kbytes	Not available	Available	Not available	-40 to 85°C	
	R5F566TEADFF	R5F566TEADFF#30	PLQP0080JA-A	512 Kbytes	64 Kbytes	32 Kbytes	Available	Not available	Not available	-40 to 85°C	
	R5F566TEEDFF	R5F566TEEDFF#30	PLQP0080JA-A	512 Kbytes	64 Kbytes	32 Kbytes	Available	Available	Not available	-40 to 85°C	
	R5F566TAADFF	R5F566TAADFF#30	PLQP0080JA-A	256 Kbytes	64 Kbytes	32 Kbytes	Available	Not available	Not available	-40 to 85°C	
	R5F566TAEDFF	R5F566TAEDFF#30	PLQP0080JA-A	256 Kbytes	64 Kbytes	32 Kbytes	Available	Available	Not available	-40 to 85°C	
	R5F566TEADFN	R5F566TEADFN#30	PLQP0080KB-B	512 Kbytes	64 Kbytes	32 Kbytes	Available	Not available	Not available	-40 to 85°C	
	R5F566TEEDFN	R5F566TEEDFN#30	PLQP0080KB-B	512 Kbytes	64 Kbytes	32 Kbytes	Available	Available	Not available	-40 to 85°C	
	R5F566TAADFN	R5F566TAADFN#30	PLQP0080KB-B	256 Kbytes	64 Kbytes	32 Kbytes	Available	Not available	Not available	-40 to 85°C	
	R5F566TAEDFN	R5F566TAEDFN#30	PLQP0080KB-B	256 Kbytes	64 Kbytes	32 Kbytes	Available	Available	Not available	-40 to 85°C	
	R5F566TEADFM	R5F566TEADFM#30	PLQP0064KB-C	512 Kbytes	64 Kbytes	32 Kbytes	Available	Not available	Not available	-40 to 85°C	
	R5F566TEEDFM	R5F566TEEDFM#30	PLQP0064KB-C	512 Kbytes	64 Kbytes	32 Kbytes	Available	Available	Not available	-40 to 85°C	
	R5F566TAADFM	R5F566TAADFM#30	PLQP0064KB-C	256 Kbytes	64 Kbytes	32 Kbytes	Available	Not available	Not available	-40 to 85°C	
	R5F566TAEDFM	R5F566TAEDFM#30	PLQP0064KB-C	256 Kbytes	64 Kbytes	32 Kbytes	Available	Available	Not available	-40 to 85°C	
	R5F566TKCGFB	R5F566TKCGFB#30	PLQP0144KA-B	1 Mbyte	128 Kbytes	32 Kbytes	Available	Not available	Available	-40 to 105°C	in planning
	R5F566TKGGFB	R5F566TKGGFB#30	PLQP0144KA-B	1 Mbyte	128 Kbytes	32 Kbytes	Available	Available	Available	-40 to 105°C	in planning
	R5F566TFCGFB	R5F566TFCGFB#30	PLQP0144KA-B	512 Kbytes	128 Kbytes	32 Kbytes	Available	Not available	Available	-40 to 105°C	in planning
	R5F566TFGGFB	R5F566TFGGFB#30	PLQP0144KA-B	512 Kbytes	128 Kbytes	32 Kbytes	Available	Available	Available	-40 to 105°C	in planning
	R5F566TEAGFH	R5F566TEAGFH#30	PLQP0112JA-B	512 Kbytes	64 Kbytes	32 Kbytes	Available	Not available	Not available	-40 to 105°C	in planning
	R5F566TEEGFH	R5F566TEEGFH#30	PLQP0112JA-B	512 Kbytes	64 Kbytes	32 Kbytes	Available	Available	Not available	-40 to 105°C	in planning
	R5F566TAAGFH	R5F566TAAGFH#30	PLQP0112JA-B	256 Kbytes	64 Kbytes	32 Kbytes	Available	Not available	Not available	-40 to 105°C	in planning
	R5F566TAEGFH	R5F566TAEGFH#30	PLQP0112JA-B	256 Kbytes	64 Kbytes	32 Kbytes	Available	Available	Not available	-40 to 105°C	in planning
	R5F566TKAGFP	R5F566TKAGFP#30	PLQP0100KB-B	1 Mbyte	128 Kbytes	32 Kbytes	Available	Not available	Not available	-40 to 105°C	in planning
	R5F566TKBGF	R5F566TKBGF#30	PLQP0100KB-B	1 Mbyte	128 Kbytes	32 Kbytes	Not available	Not available	Not available	-40 to 105°C	in planning
	R5F566TKCGFP	R5F566TKCGFP#30	PLQP0100KB-B	1 Mbyte	128 Kbytes	32 Kbytes	Available	Not available	Available	-40 to 105°C	in planning
	R5F566TKEGFP	R5F566TKEGFP#30	PLQP0100KB-B	1 Mbyte	128 Kbytes	32 Kbytes	Available	Available	Not available	-40 to 105°C	in planning
	R5F566TKFGFP	R5F566TKFGFP#30	PLQP0100KB-B	1 Mbyte	128 Kbytes	32 Kbytes	Not available	Available	Not available	-40 to 105°C	in planning
	R5F566TKGGFP	R5F566TKGGFP#30	PLQP0100KB-B	1 Mbyte	128 Kbytes	32 Kbytes	Available	Available	Available	-40 to 105°C	in planning
	R5F566TFAGFP	R5F566TFAGFP#30	PLQP0100KB-B	512 Kbytes	128 Kbytes	32 Kbytes	Available	Not available	Not available	-40 to 105°C	in planning
	R5F566TFBGF	R5F566TFBGF#30	PLQP0100KB-B	512 Kbytes	128 Kbytes	32 Kbytes	Not available	Not available	Not available	-40 to 105°C	in planning

Table 1.3 List of Products (3/3)

Group	Part No.	Part No. (for Orders)	Package	Code Flash Memory Capacity	RAM Capacit y	Data Flash Memory Capacity	PGA pseudo- differential input	TSIP-Lite	USB	Operati ng temper ature	Note
RX66T	R5F566TFCG FP	R5F566TFCG FP#30	PLQP0100KB- B	512 Kbytes	128 Kbytes	32 Kbytes	Available	Not available	Available	-40 to 105°C	in planning
	R5F566TFEG FP	R5F566TFEG FP#30	PLQP0100KB- B	512 Kbytes	128 Kbytes	32 Kbytes	Available	Available	Not available	-40 to 105°C	in planning
	R5F566TFFG FP	R5F566TFFG FP#30	PLQP0100KB- B	512 Kbytes	128 Kbytes	32 Kbytes	Not available	Available	Not available	-40 to 105°C	in planning
	R5F566TFGG FP	R5F566TFGG FP#30	PLQP0100KB- B	512 Kbytes	128 Kbytes	32 Kbytes	Available	Available	Available	-40 to 105°C	in planning
	R5F566TEAG FP	R5F566TEAG FP#30	PLQP0100KB- B	512 Kbytes	64 Kbytes	32 Kbytes	Available	Not available	Not available	-40 to 105°C	in planning
	R5F566TEBG FP	R5F566TEBG FP#30	PLQP0100KB- B	512 Kbytes	64 Kbytes	32 Kbytes	Not available	Not available	Not available	-40 to 105°C	in planning
	R5F566TEEG FP	R5F566TEEG FP#30	PLQP0100KB- B	512 Kbytes	64 Kbytes	32 Kbytes	Available	Available	Not available	-40 to 105°C	in planning
	R5F566TEFG FP	R5F566TEFG FP#30	PLQP0100KB- B	512 Kbytes	64 Kbytes	32 Kbytes	Not available	Available	Not available	-40 to 105°C	in planning
	R5F566TAAG FP	R5F566TAAG FP#30	PLQP0100KB- B	256 Kbytes	64 Kbytes	32 Kbytes	Available	Not available	Not available	-40 to 105°C	in planning
	R5F566TABG FP	R5F566TABG FP#30	PLQP0100KB- B	256 Kbytes	64 Kbytes	32 Kbytes	Not available	Not available	Not available	-40 to 105°C	in planning
	R5F566TAEG FP	R5F566TAEG FP#30	PLQP0100KB- B	256 Kbytes	64 Kbytes	32 Kbytes	Available	Available	Not available	-40 to 105°C	in planning
	R5F566TAFG FP	R5F566TAFG FP#30	PLQP0100KB- B	256 Kbytes	64 Kbytes	32 Kbytes	Not available	Available	Not available	-40 to 105°C	in planning
	R5F566TEAG FF	R5F566TEAG FF#30	PLQP0080JA- A	512 Kbytes	64 Kbytes	32 Kbytes	Available	Not available	Not available	-40 to 105°C	in planning
	R5F566TEEG FF	R5F566TEEG FF#30	PLQP0080JA- A	512 Kbytes	64 Kbytes	32 Kbytes	Available	Available	Not available	-40 to 105°C	in planning
	R5F566TAAG FF	R5F566TAAG FF#30	PLQP0080JA- A	256 Kbytes	64 Kbytes	32 Kbytes	Available	Not available	Not available	-40 to 105°C	in planning
	R5F566TAEG FF	R5F566TAEG FF#30	PLQP0080JA- A	256 Kbytes	64 Kbytes	32 Kbytes	Available	Available	Not available	-40 to 105°C	in planning
	R5F566TEAG FN	R5F566TEAG FN#30	PLQP0080KB- B	512 Kbytes	64 Kbytes	32 Kbytes	Available	Not available	Not available	-40 to 105°C	in planning
	R5F566TEEG FN	R5F566TEEG FN#30	PLQP0080KB- B	512 Kbytes	64 Kbytes	32 Kbytes	Available	Available	Not available	-40 to 105°C	in planning
	R5F566TAAG FN	R5F566TAAG FN#30	PLQP0080KB- B	256 Kbytes	64 Kbytes	32 Kbytes	Available	Not available	Not available	-40 to 105°C	in planning
	R5F566TAEG FN	R5F566TAEG FN#30	PLQP0080KB- B	256 Kbytes	64 Kbytes	32 Kbytes	Available	Available	Not available	-40 to 105°C	in planning
	R5F566TEAG FM	R5F566TEAG FM#30	PLQP0064KB- C	512 Kbytes	64 Kbytes	32 Kbytes	Available	Not available	Not available	-40 to 105°C	in planning
	R5F566TEEG FM	R5F566TEEG FM#30	PLQP0064KB- C	512 Kbytes	64 Kbytes	32 Kbytes	Available	Available	Not available	-40 to 105°C	in planning
	R5F566TAAG FM	R5F566TAAG FM#30	PLQP0064KB- C	256 Kbytes	64 Kbytes	32 Kbytes	Available	Not available	Not available	-40 to 105°C	in planning
	R5F566TAEG FM	R5F566TAEG FM#30	PLQP0064KB- C	256 Kbytes	64 Kbytes	32 Kbytes	Available	Available	Not available	-40 to 105°C	in planning



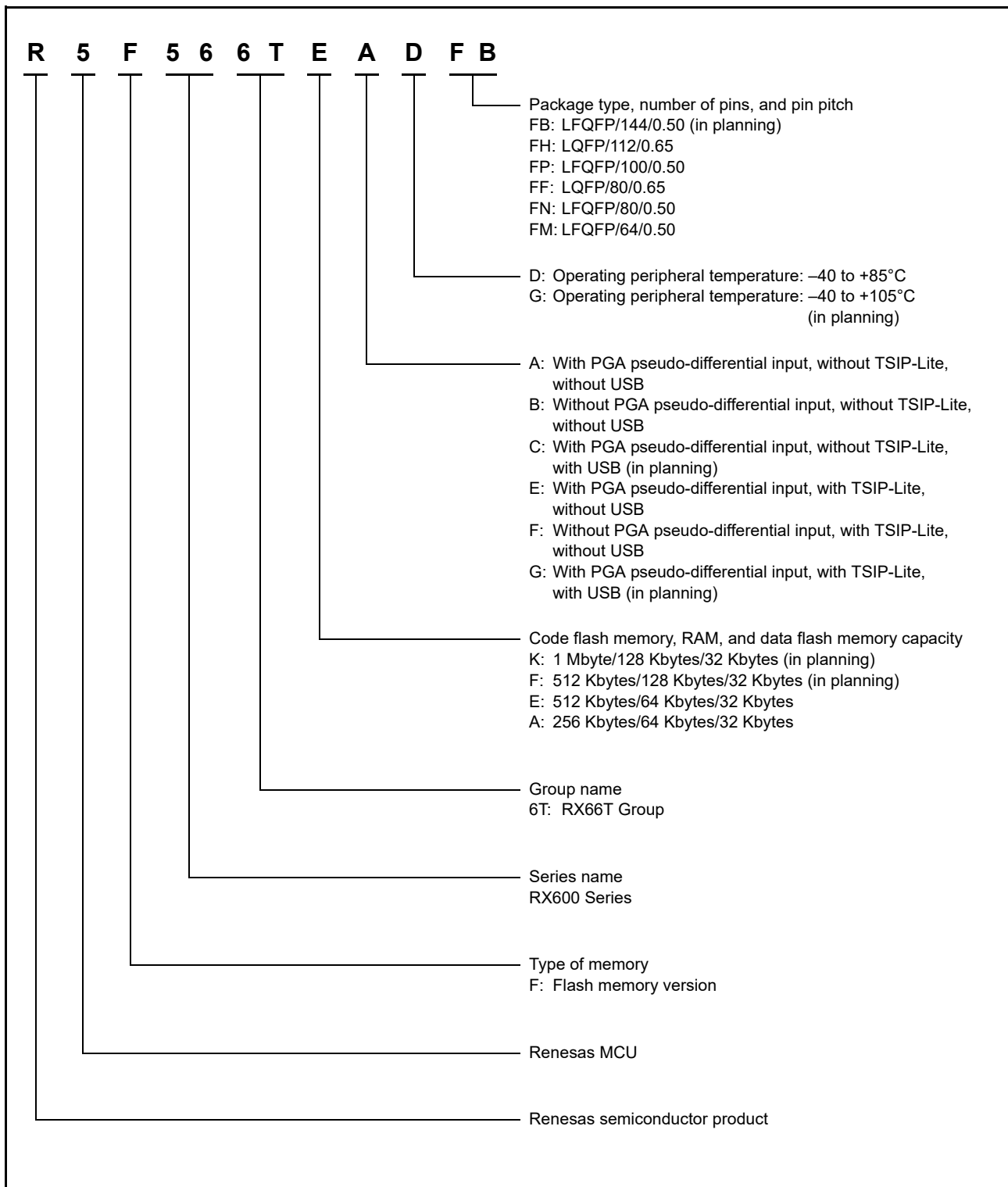


Figure 1.1 How to Read the Product Part Number

### 1.3 Block Diagram

Figure 1.2 shows a block diagram.

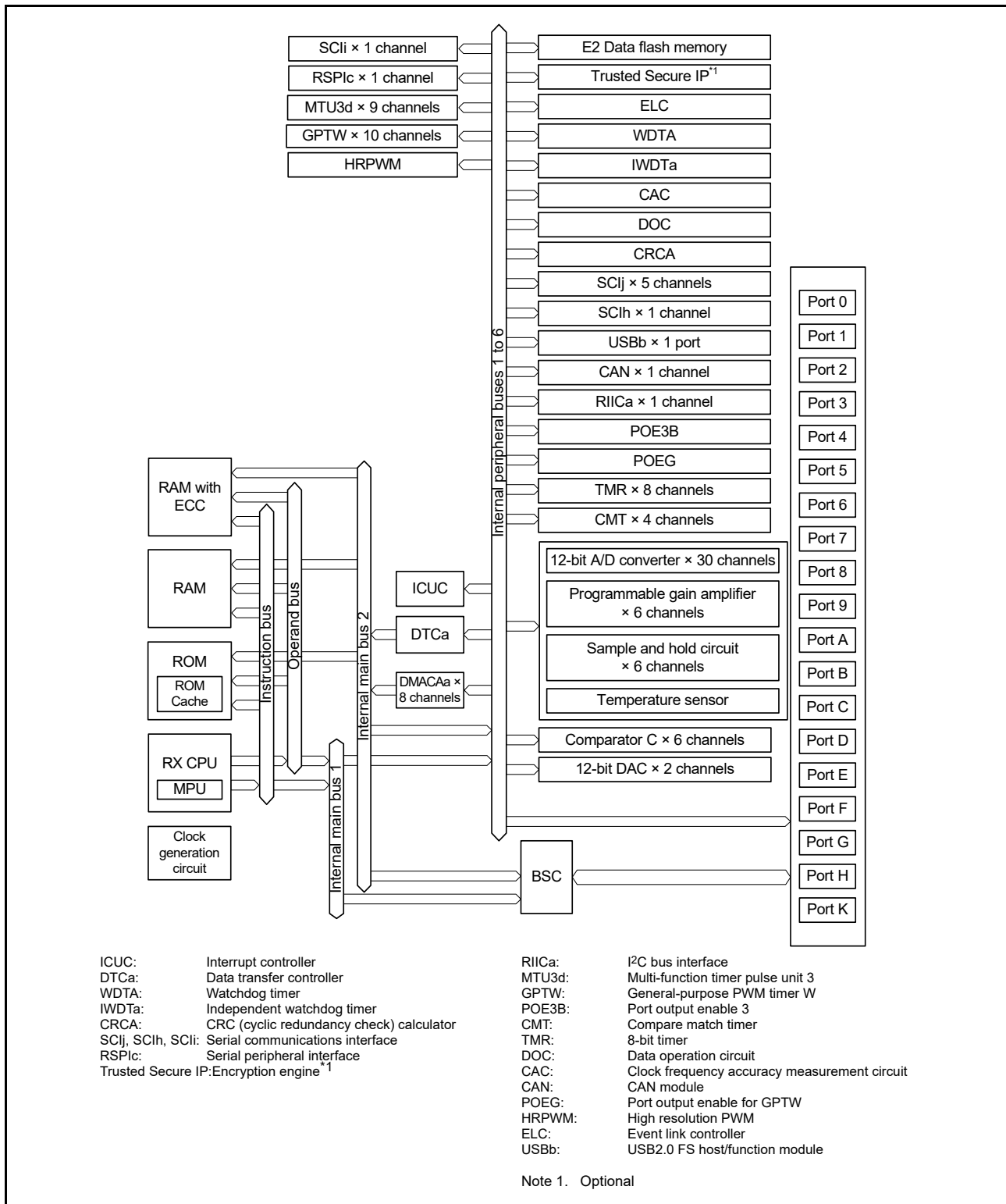


Figure 1.2 Block Diagram

## 1.4 Pin Functions

Table 1.4 lists the pin functions.

**Table 1.4 Pin Functions (1/6)**

Classifications	Pin Name	I/O	Description
Digital power supply	VCC	—	Power supply pin. Connect this pin to the system power supply. Connect the pin to VSS via a 0.1- $\mu$ F multilayer ceramic capacitor. The capacitor should be placed close to the pin.
	VCL	—	Connect this pin to VSS via a 0.47- $\mu$ F multilayer ceramic capacitor. The capacitor should be placed close to the pin.
	VSS	—	Ground pin. Connect it to the system power supply (0 V).
Clock	XTAL	Output	Pins for a crystal resonator. An external clock signal can be input through the EXTAL pin.
	EXTAL	Input	
	BCLK	Output	Outputs the external bus clock for external devices.
CAC	CACREF	Input	Input pin for the clock frequency accuracy measurement circuit.
Operating mode control	MD	Input	Pins for setting the operating mode. The signal levels on these pins must not be changed during operation.
	UB	Input	Enable pin for boot mode (USB interface) and user boot mode
	UPSEL	Input	Selects the power supply method in boot mode (USB interface). The low level selects self-power mode and the high level selects bus power mode.
System control	RES#	Input	Reset pin. This MCU enters the reset state when this signal goes low.
	EMLE	Input	Input pin for the on-chip emulator enable signal. When the on-chip emulator is used, this pin should be driven high. When not used, it should be driven low.
On-chip emulator	FINED	I/O	FINE interface pin.
	TRST#	Input	Pins for the on-chip emulator. When the EMLE pin is driven high, these pins are dedicated for the on-chip emulator.
	TMS	Input	
	TDI	Input	
	TCK	Input	
	TDO	Output	
	TRCLK	Output	This pin outputs the clock for synchronization with the trace data.
	TRSYNC	Output	This pin indicates that output from the TRDATA0 to TRDATA3 pins is valid.
	TRSYNC1	Output	This pin indicates that output from the TRDATA4 to TRDATA7 pins is valid.
	TRDATA0, TRDATA1, TRDATA2, TRDATA3, TRDATA4, TRDATA5, TRDATA6, TRDATA7	Output	These pins output the trace information.
Address bus	A0 to A20	Output	Output pins for the address
Data bus	D0 to D15	I/O	Input and output pins for the bidirectional data bus
Multiplexed bus	A0/D0 to A15/D15	I/O	Address/data multiplexed bus
Bus control	RD#	Output	Strobe signal which indicates that reading from the external bus interface space is in progress
	WR#	Output	Strobe signal which indicates that writing to the external bus interface space is in progress, in 1-write strobe mode
	WR0#, WR1#	Output	Strobe signals which indicate that either group of data bus pins (D7 to D0, D15 to D8) is valid in writing to the external bus interface space, in byte strobe mode

**Table 1.4 Pin Functions (2/6)**

Classifications	Pin Name	I/O	Description
Bus control	BC0#, BC1#	Output	Strobe signals which indicate that either group of data bus pins (D7 to D0, D15 to D8) is valid in access to the external bus interface space, in 1-write strobe mode
	ALE	Output	Address latch signal when address/data multiplexed bus is selected
	WAIT#	Input	Input pin for wait request signals in access to the external space
	CS0# to CS3#	Output	Select signals for CS areas
Interrupt	NMI	Input	Non-maskable interrupt request pin
	IRQ0 to IRQ15	Input	Maskable interrupt request pins
Multi-function timer pulse unit 3	MTIOC0A, MTIOC0B, MTIOC0C, MTIOC0D	I/O	The TGRA0 to TGRD0 input capture input/output compare output/PWM output pins
	MTIOC0A#, MTIOC0B#, MTIOC0C#, MTIOC0D#	I/O	The TGRA0 to TGRD0 input capture inverted input/output compare inverted output/PWM inverted output pins.
	MTIOC1A, MTIOC1B	I/O	The TGRA1 and TGRB1 input capture input/output compare output/PWM output pins.
	MTIOC1A#, MTIOC1B#	I/O	The TGRA1 and TGRB1 input capture inverted input/output compare inverted output/PWM inverted output pins.
	MTIOC2A, MTIOC2B	I/O	The TGRA2 and TGRB2 input capture input/output compare output/PWM output pins.
	MTIOC2A#, MTIOC2B#	I/O	The TGRA2 and TGRB2 input capture inverted input/output compare inverted output/PWM inverted output pins.
	MTIOC3A, MTIOC3B, MTIOC3C, MTIOC3D	I/O	The TGRA3 to TGRD3 input capture input/output compare output/PWM output pins.
	MTIOC3A#, MTIOC3B#, MTIOC3C#, MTIOC3D#	I/O	The TGRA3 to TGRD3 input capture inverted input/output compare inverted output/PWM inverted output pins.
	MTIOC4A, MTIOC4B, MTIOC4C, MTIOC4D	I/O	The TGRA4 to TGRD4 input capture input/output compare output/PWM output pins
	MTIOC4A#, MTIOC4B#, MTIOC4C#, MTIOC4D#	I/O	The TGRA4 to TGRD4 input capture inverted input/output compare inverted output/PWM inverted output pins.
	MTIC5U, MTIC5V, MTIC5W	Input	The TGRU5, TGRV5, and TGRW5 input capture input/external pulse input pins
	MTIC5U#, MTIC5V#, MTIC5W#	Input	The TGRU5, TGRV5, and TGRW5 input capture inverted input/external pulse inverted input pins.
	MTIOC6A, MTIOC6B, MTIOC6C, MTIOC6D	I/O	The TGRA6 to TGRD6 input capture input/output compare output/PWM output pins
	MTIOC6A#, MTIOC6B#, MTIOC6C#, MTIOC6D#	I/O	The TGRA6 to TGRD6 input capture inverted input/output compare inverted output/PWM inverted output pins.
	MTIOC7A, MTIOC7B, MTIOC7C, MTIOC7D	I/O	The TGRA7 to TGRD7 input capture input/output compare output/PWM output pins
	MTIOC7A#, MTIOC7B#, MTIOC7C#, MTIOC7D#	I/O	The TGRA7 to TGRD7 input capture inverted input/output compare inverted output/PWM inverted output pins.
	MTIOC9A, MTIOC9B, MTIOC9C, MTIOC9D	I/O	The TGRA9 to TGRD9 input capture input/output compare output/PWM output pins
	MTIOC9A#, MTIOC9B#, MTIOC9C#, MTIOC9D#	I/O	The TGRA9 to TGRD9 input capture inverted input/output compare inverted output/PWM inverted output pins.
	MTCLKA, MTCLKB, MTCLKC, MTCLKD	Input	Input pins for the external clock.
	MTCLKA#, MTCLKB#, MTCLKC#, MTCLKD#	Input	Inverted input pins for the external clock.
ADSM0, ADSM1	Output	A/D conversion start request frame synchronization signal output pins.	

**Table 1.4 Pin Functions (3/6)**

Classifications	Pin Name	I/O	Description
General PWM timer	GTETRGA, GTETRGB, GTETRG, GTETRGD	Input	External trigger input pin
	GTIOC0A to GTIOC9A, GTIOC0B to GTIOC9B	I/O	Input capture input/output compare output/PWM output pins
	GTIOC0A# to GTIOC9A#, GTIOC0B# to GTIOC9B#	I/O	Input capture inverted input/output compare inverted output/ PWM inverted output pins
	GTADSM0, GTADSM1	Output	A/D conversion start request monitoring output pins
8-bit timer	TMO0 to TMO7	Output	Compare match output pins.
	TMCI0 to TMCI7	Input	Input pins for the external clock to be input to the counter.
	TMRI0 to TMRI7	Input	Counter reset input pins.
Port output enable 3	POE0#, POE4#, POE8#, POE9#, POE10#, POE11#, POE12#, POE13#, POE14#	Input	Input pins for request signals to switch the MTU3 and GPTW pins between the high impedance state
Serial communications interface (SCIj)	• Asynchronous mode/clock synchronous mode		
	SCK1, SCK5, SCK6, SCK8, SCK9	I/O	Input/output pins for the clock
	RXD1, RXD5, RXD6, RXD8, RXD9	Input	Input pins for received data
	TXD1, TXD5, TXD6, TXD8, TXD9	Output	Output pins for transmitted data
	CTS1#, CTS5#, CTS6#, CTS8#, CTS9#	Input	Input pins for controlling the start of transmission and reception.
	RTS1#, RTS5#, RTS6#, RTS8#, RTS9#	Output	Output pins for controlling the start of transmission and reception.
	• Simple I <sup>2</sup> C mode		
	SSCL1, SSCL5, SSCL6, SSCL8, SSCL9	I/O	Input/output pins for the I <sup>2</sup> C clock.
	SSDA1, SSDA5, SSDA6, SSDA8, SSDA9	I/O	Input/output pins for the I <sup>2</sup> C data.
	• Simple SPI mode		
	SCK1, SCK5, SCK6, SCK8, SCK9	I/O	Input/output pins for the clock
	SMISO1, SMISO5, SMISO6, SMISO8, SMISO9	I/O	Input/output pins for slave transmit data.
	SMOSI1, SMOSI5, SMOSI6, SMOSI8, SMOSI9	I/O	Input/output pins for master transmit data.
	SS1#, SS5#, SS6#, SS8#, SS9#	Input	Chip-select input pins.
Serial communications interface (SCIh)	• Asynchronous mode/clock synchronous mode		
	SCK12	I/O	Input/output pin for the clock
	RXD12	Input	Input pin for received data
	TXD12	Output	Output pin for transmitted data
	CTS12#	Input	Input pin for controlling the start of transmission and reception
	RTS12#	Output	Output pin for controlling the start of transmission and reception
	• Simple I <sup>2</sup> C mode		
	SSCL12	I/O	Input/output pin for the I <sup>2</sup> C clock
	SSDA12	I/O	Input/output pin for the I <sup>2</sup> C data

**Table 1.4 Pin Functions (4/6)**

Classifications	Pin Name	I/O	Description	
Serial communications interface (SCIh)	• Simple SPI mode			
	SCK12	I/O	Input/output pin for the clock	
	SMISO12	I/O	Input/output pin for slave transmission of data	
	SMOSI12	I/O	Input/output pin for master transmission of data	
	SS12#	Input	Chip-select input pin	
	• Extended serial mode			
	RDX12	Input	Input pin for received data	
	TXDX12	Output	Output pin for transmitted data	
	SIOX12	I/O	Input/output pin for received or transmitted data	
Serial communications interface (SCIi)	• Asynchronous mode/clock synchronous mode			
	SCK11	I/O	Input/output pin for the clock	
	RXD11	Input	Input pin for received data	
	TXD11	Output	Output pin for transmitted data	
	CTS11#	Input	Input pin for controlling the start of transmission and reception	
	RTS11#	Output	Output pin for controlling the start of transmission and reception	
	• Simple I <sup>2</sup> C mode			
	SSCL11	I/O	Input/output pin for the I <sup>2</sup> C clock	
	SSDA11	I/O	Input/output pin for the I <sup>2</sup> C data	
	• Simple SPI mode			
	SCK11	I/O	Input/output pin for the clock	
	SMISO11	I/O	Input/output pin for slave transmission of data	
	SMOSI11	I/O	Input/output pin for master transmission of data	
	SS11#	Input	Chip-select input pin	
	I <sup>2</sup> C bus interface	SCL	I/O	Input/output pin for I <sup>2</sup> C bus interface clocks. Bus can be directly driven by the N-channel open drain output.
		SDA	I/O	Input/output pin for I <sup>2</sup> C bus interface data. Bus can be directly driven by the N-channel open drain output.
USB 2.0 host/function module	VCC_USB	Input	Power supply pins	
	VSS_USB	Input	Ground pins	
	USB0_DP	I/O	Input or output USB transceiver D+ data	
	USB0_DM	I/O	Input or output USB transceiver D- data.	
	USB0_EXICEN	Output	Connect to the OTG power IC.	
	USB0_ID	Input	Connect to the OTG power IC.	
	USB0_VBUSEN	Output	USB VBUS power enable pins	
	USB0_OVRCURA, USB0_OVRCURB	Input	USB overcurrent pins	
	USB0_VBUS	Input	USB cable connection/disconnection detection input pins	
CAN module	CRX	Input	Input pins	
	CTX	Output	Output pins	
Serial peripheral interface	RSPCKA	I/O	Input/output pin for the RSPI clock.	
	MOSIA	I/O	Input/output pin for transmitting data from the RSPI master.	
	MISOA	I/O	Input/output pin for transmitting data from the RSPI slave.	
	SSLA0	I/O	Input/output pin to select the slave for the RSPI.	
	SSLA1 to SSLA3	Output	Output pins to select the slave for the RSPI.	

**Table 1.4 Pin Functions (5/6)**

Classifications	Pin Name	I/O	Description
12-bit A/D converter	AN000 to AN002, AN100 to AN102	Input	Input pins for the analog signals to be processed by the A/D converter. (Positive side input at PGA pseudo-differential input.)
	AN003 to AN007, AN103 to AN107, AN200 to AN211, AN216 to AN217	Input	Input pins for the analog signals to be processed by the A/D converter.
	ADST0, ADST1, ADST2	Output	Output pins for A/D conversion status.
	ADTRG0#, ADTRG1#, ADTRG2#	Input	Input pins for the external trigger signals that start the A/D conversion.
	PGAVSS0, PGAVSS1	Input	A common reference ground pin for PGA pseudo-differential input in the unit
12-bit D/A converter	DA0, DA1	Output	Output pins for the analog signals to be processed by the D/A converter
Comparator C	COMP0 to COMP5	Output	Comparator detection result output pins.
	CVREFC0, CVREFC1	Input	Analog reference voltage supply pins for comparator C.
	CMPCnm	Input	Analog input pin for CMPCnm (n = 0 to 5, m = 0 to 3)
Analog power supply	AVCC0	—	Analog voltage supply pin for 12-bit A/D converter unit 0. Connect the AVCC0 pin to AVCC1 or AVCC2 when 12-bit A/D converter unit 0 is not used.
	AVSS0	—	Analog ground pin for 12-bit A/D converter unit 0. Connect the AVSS0 pin to AVSS1 or AVSS2 when 12-bit A/D converter unit 0 is not used.
	AVCC1	—	Analog voltage supply pin for 12-bit A/D converter unit 1. Connect this pin to AVCC0 when not using the 12-bit A/D converter 1 but using the 12-bit A/D converter 0. Connect this pin to AVCC2 when not using the 12-bit A/D converter 0 and the 12-bit A/D converter 1.
	AVSS1	—	Analog ground pin for 12-bit A/D converter unit 1. Connect this pin to AVSS0 when not using the 12-bit A/D converter 1 but using the 12-bit A/D converter 0. Connect this pin to AVSS2 when not using the 12-bit A/D converter 0 and the 12-bit A/D converter 1.
	AVCC2	—	Analog voltage supply pin for the 12-bit A/D converter unit 2, reference voltage supply pin for the 12-bit D/A converter, analog voltage supply pin for the comparator C, and analog voltage supply pin for the temperature sensor. Connect this pin to either of AVCC0 or AVCC1 when not using the 12-bit A/D converter unit 2, 12-bit D/A converter, comparator C, and temperature sensor.
	AVSS2	—	Analog ground pin for the 12-bit A/D converter unit 2, reference ground pin for the D/A converter, analog ground pin for the comparator C, and analog ground pin for the temperature sensor. Connect this pin to either of AVSS0 or AVSS1 when not using the 12-bit A/D converter unit 2, 12-bit D/A converter, comparator C, and temperature sensor.



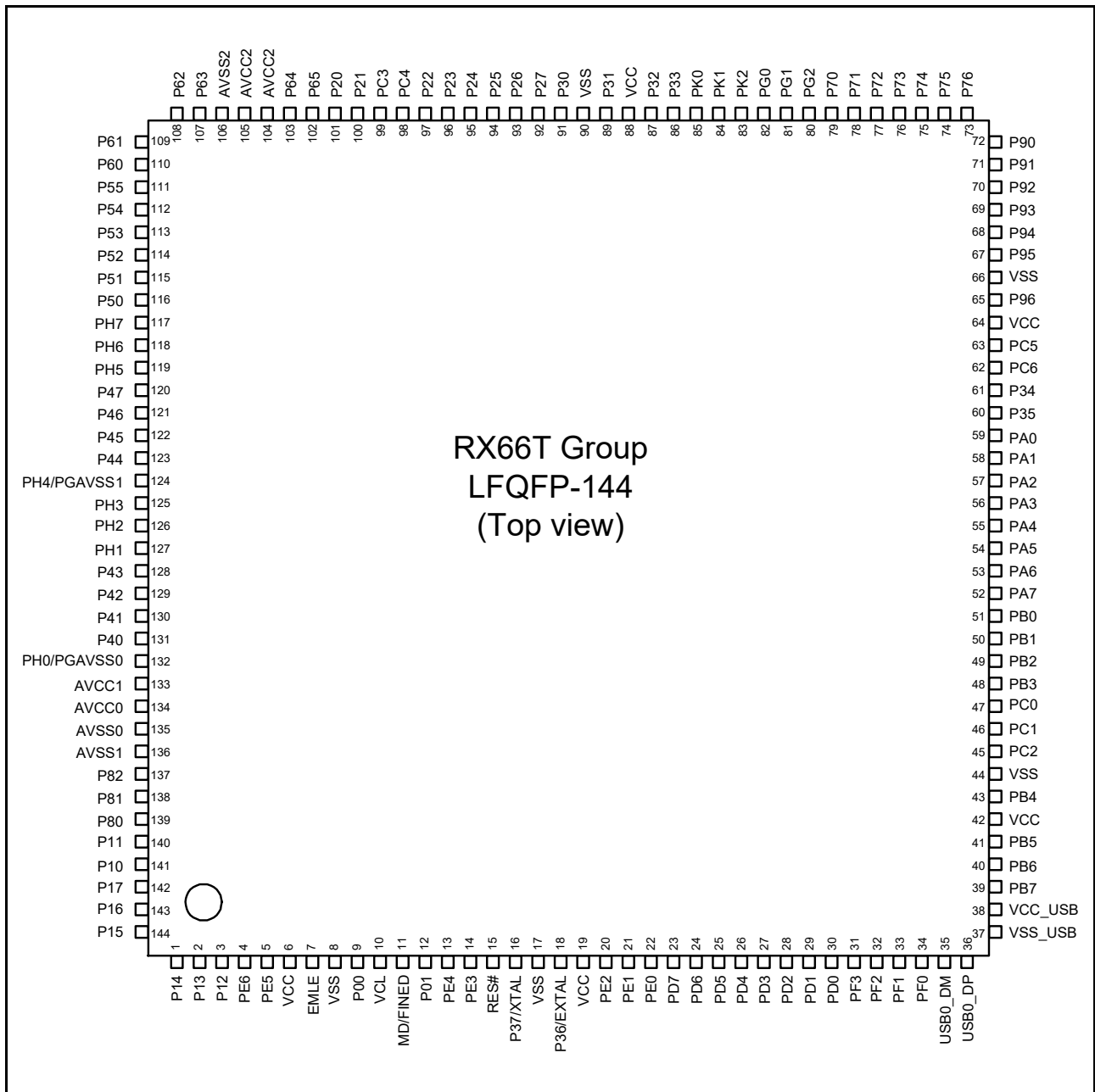
**Table 1.4 Pin Functions (6/6)**

Classifications	Pin Name	I/O	Description
I/O ports	P00, P01	I/O	2-bit input/output pins.
	P10 to P17	I/O	8-bit input/output pins.
	P20 to P27	I/O	8-bit input/output pins.
	P30 to P37	I/O	8-bit input/output pins.
	P40 to P47	I/O	8-bit input/output pins (P40 to P42, P44 to P46: input).
	P50 to P55	I/O	6-bit input/output pins.
	P60 to P65	I/O	6-bit input/output pins.
	P70 to P76	I/O	7-bit input/output pins.
	P80 to P82	I/O	3-bit input/output pins.
	P90 to P96	I/O	7-bit input/output pins.
	PA0 to PA7	I/O	8-bit input/output pins.
	PB0 to PB7	I/O	8-bit input/output pins.
	PC0 to PC6	I/O	7-bit input/output pins.
	PD0 to PD7	I/O	8-bit input/output pins.
	PE0 to PE6	I/O	7-bit input/output pins (PE2: input).
	PF0 to PF3	I/O	4-bit input/output pins.
	PG0 to PG2	I/O	3-bit input/output pins.
	PH0 to PH7	I/O	8-bit input/output pins (PH0, PH4: input).
	PK0 to PK2	I/O	3-bit input/output pins.

Note: When not using any of the A/D converter, D/A converter, comparator C and temperature sensor, connect the AVCC0, AVCC1 and AVCC2 pins to VCC, and connect the AVSS0, AVSS1 and AVSS2 pins to VSS, respectively.

### 1.5 Pin Assignments

Figure 1.3 to Figure 1.9 show the pin assignments. Table 1.5 to Table 1.11 show the lists of pins and pin functions.



**Figure 1.3 Pin Assignment (144-pin LQFP) with PGA pseudo-differential input and with USB pin**

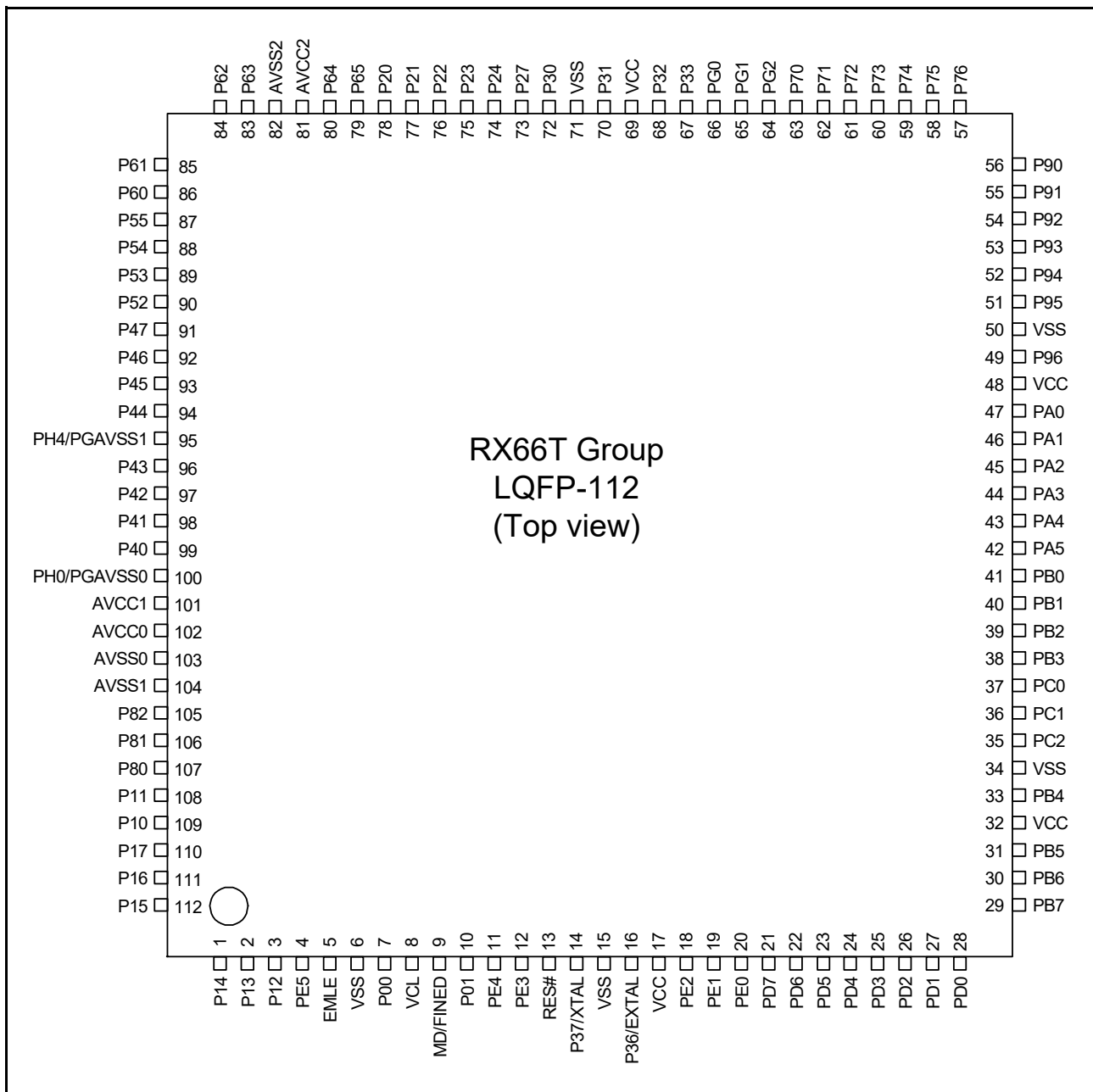


Figure 1.4 Pin Assignment (112-pin LQFP) with PGA pseudo-differential input and without USB pin

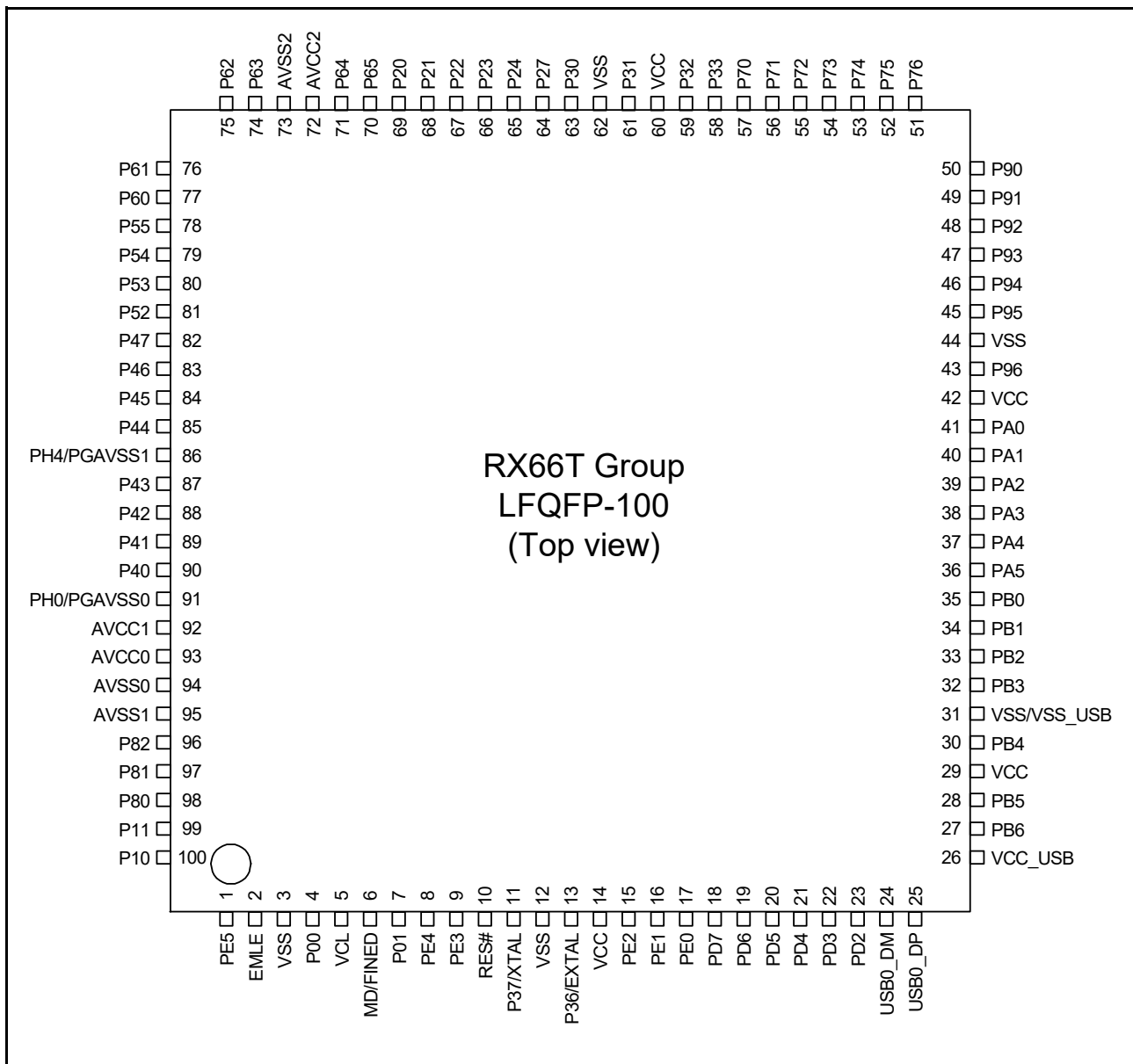


Figure 1.5 Pin Assignment (100-pin LQFP) with PGA pseudo-differential input and with USB pin

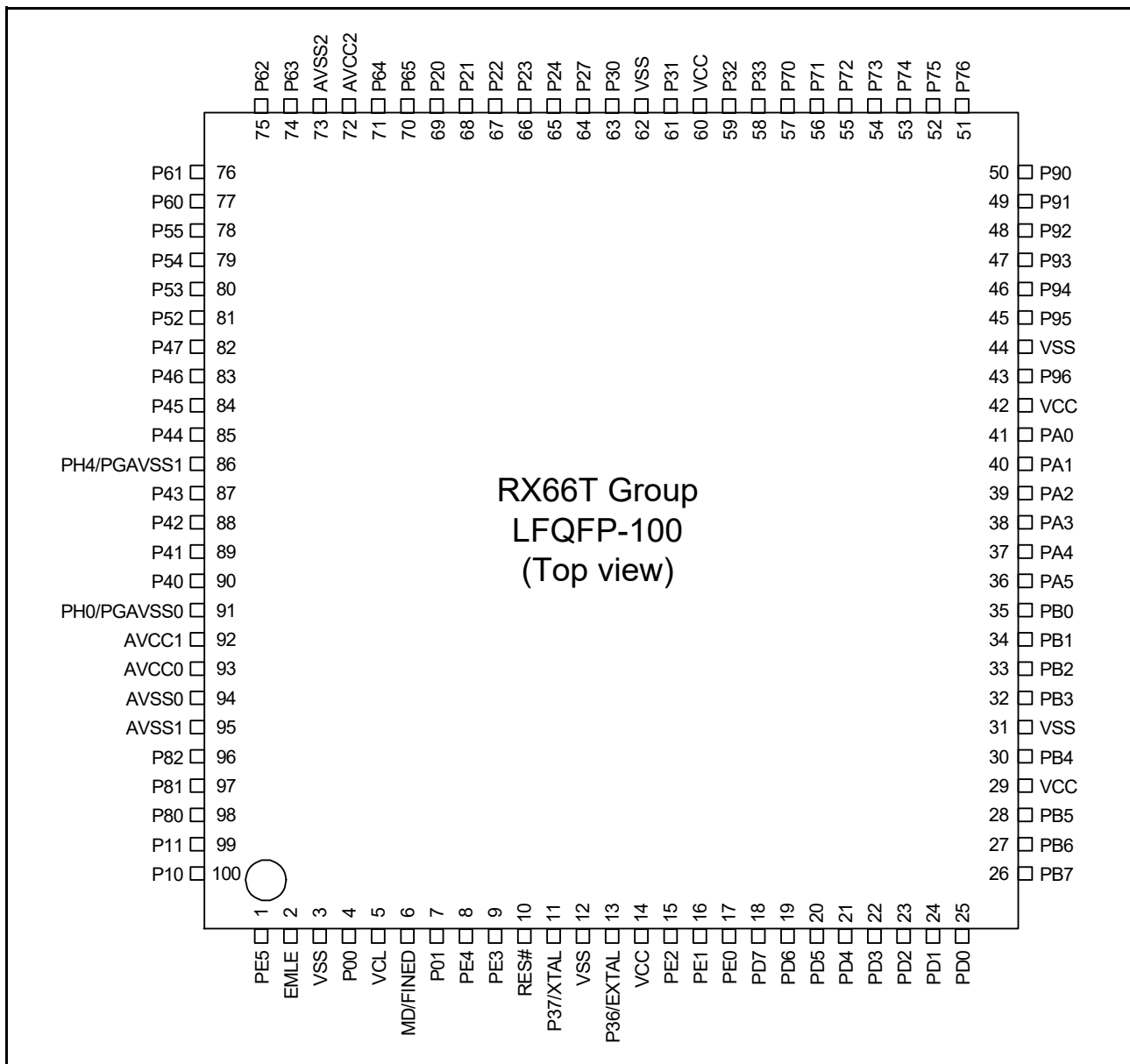


Figure 1.6 Pin Assignment (100-pin LQFP) with PGA pseudo-differential input and without USB pin

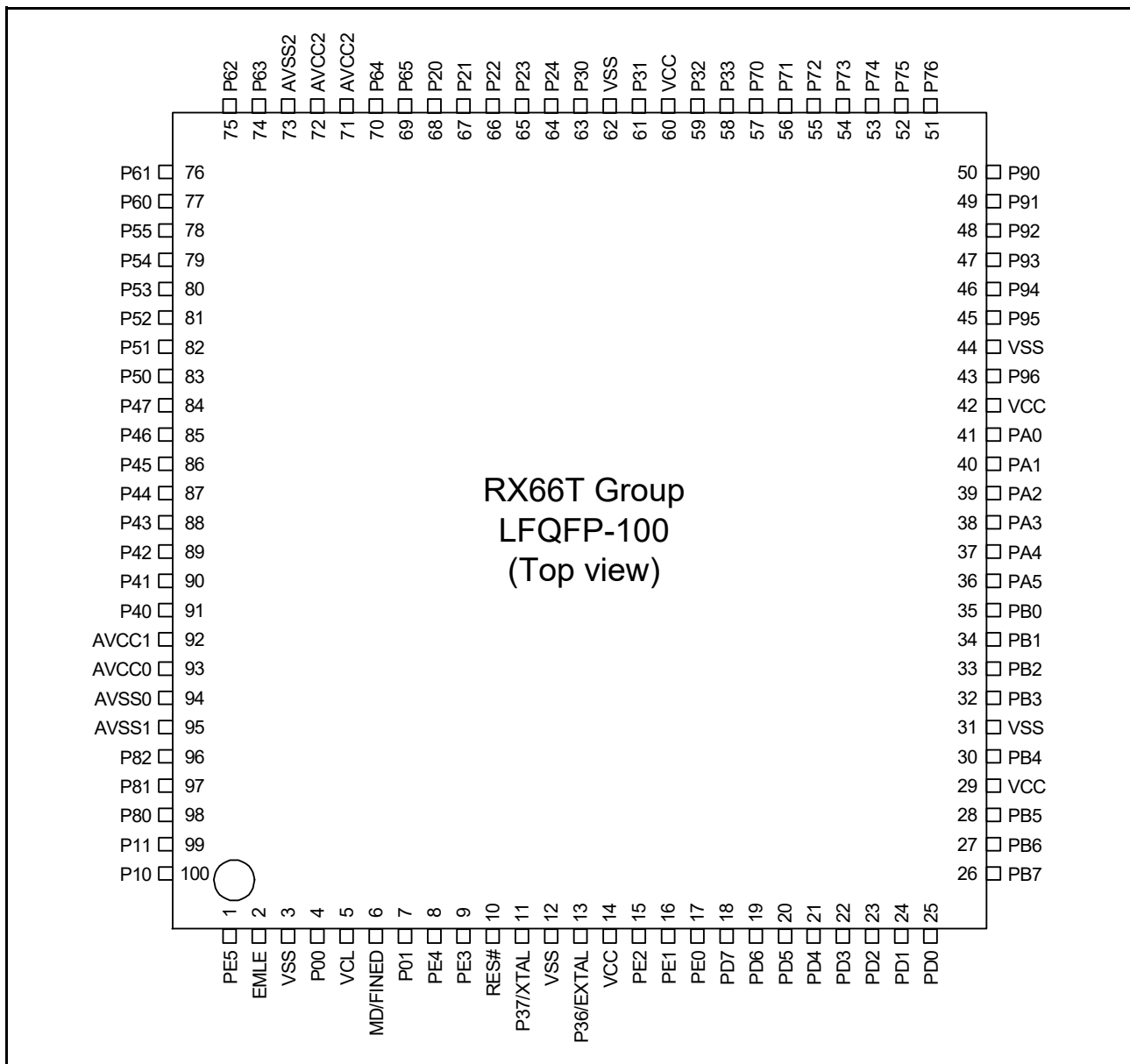


Figure 1.7 Pin Assignment (100-pin LQFP) without PGA pseudo-differential input and without USB pin

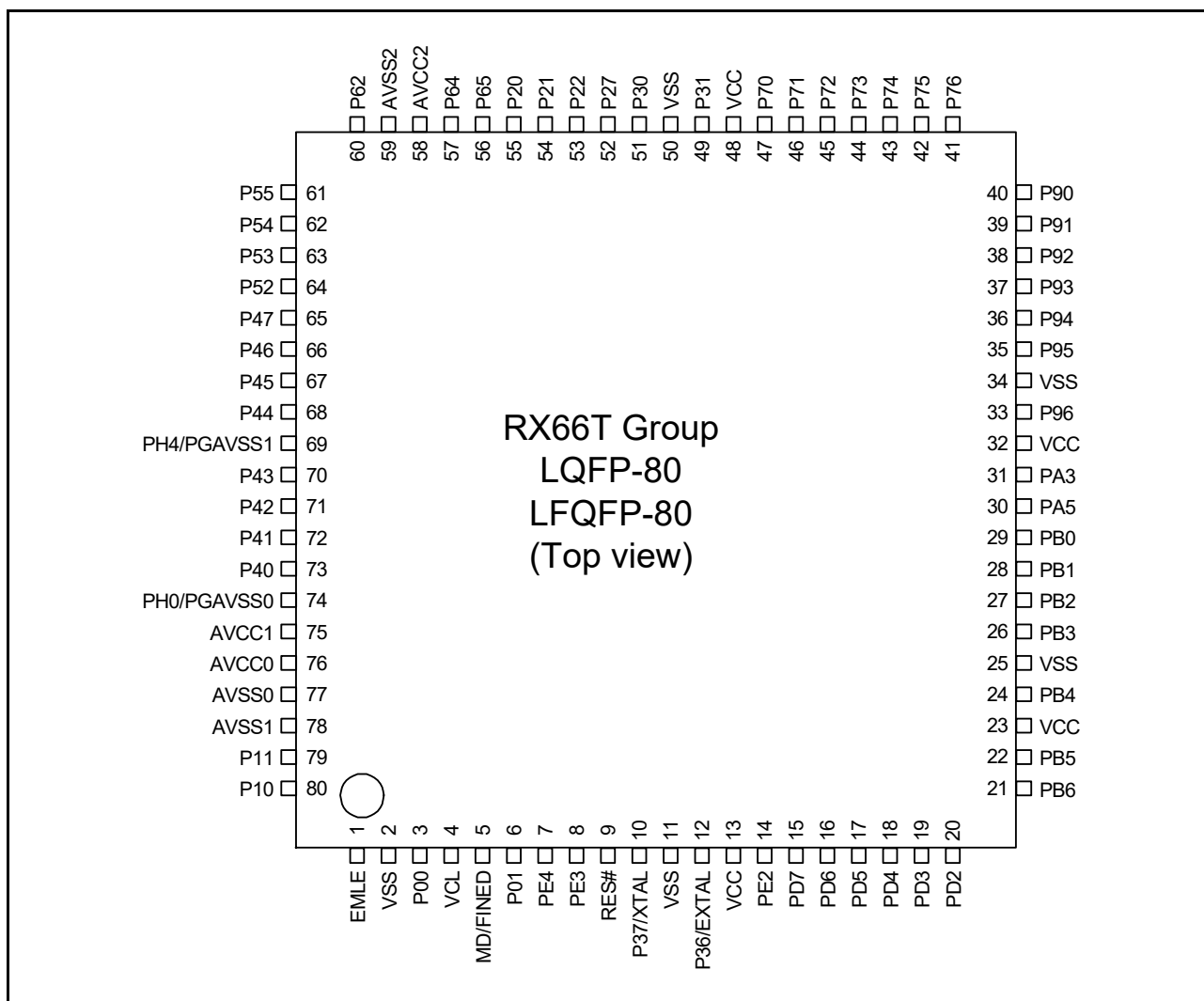


Figure 1.8 Pin Assignment (80-pin LQFP and LFQFP) with PGA pseudo-differential input and without USB pin



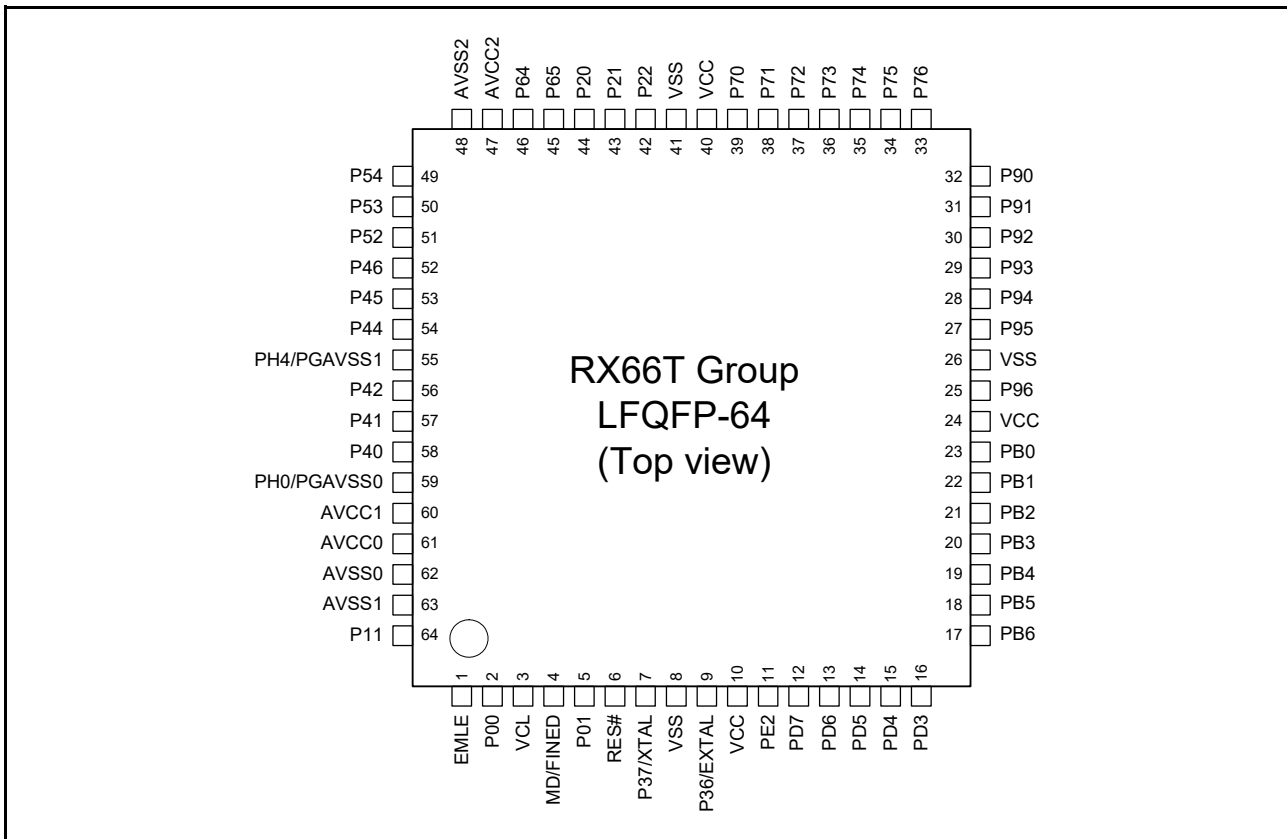


Figure 1.9 Pin Assignment (64-pin LQFP) with PGA pseudo-differential input and without USB pin

**Table 1.5 List of Pin and Pin Functions (144-pin with PGA pseudo-differential input and with USB pin) (1/7)**

Pin Number 144-Pin LFQFP	Power Supply Clock System Control	I/O Port	Bus	Timer (MTU, GPTW, TMR, POE, POEG, CAC)	Communications (SCI, RSPI, RIIC, CAN)	Communica tions (USB)	Interrupt (IRQ, NMI)	Analog	Others
1		P14		MTIOC4B/ MTIOC4B#/ GTIOC2A/GTIOC9A/ GTIOC2A#/ GTIOC9A#			IRQ11		
2		P13		MTIOC4A/ MTIOC4A#/ GTIOC1A/GTIOC8A/ GTIOC1A#/ GTIOC8A#			IRQ10		
3		P12		MTIOC3B/ MTIOC3B#/ GTIOC0A/GTIOC7A/ GTIOC0A#/ GTIOC7A#			IRQ9		
4		PE6	RD#	GTETRG A/ GTETRG B/ GTETRG C/ GTETRG D/POE10#			IRQ3		
5		PE5	BCLK	MTIOC9D/ MTIOC9D#/ GTIOC3A/ GTETRG B/ GTIOC3A#/ GTETRG D	SCK9/CTS9#/ RTS9#/SS9#		IRQ0		ADST0
6	VCC								
7	EMLE								
8	VSS								
9	UB	P00	A11	MTIOC9A/ MTIOC9A#/CACREF	RXD9/SMISO9/ SSCL9/RXD12/ SMISO12/SSCL12/ RXDX12		IRQ2		ADST1/ COMP0
10	VCL								
11	MD/FINED								
12		P01	A10	MTIOC9C/ MTIOC9C#/ GTETRG A/ GTETRG B/ GTETRG C/ GTETRG D/POE12#	TXD9/SMOSI9/ SSDA9/TXD12/ SMOSI12/SSDA12/ TXDX12/SIOX12		IRQ4		ADST2/ COMP1
13		PE4	A9	MTCLKC/MTCLKC#/ GTETRG A/ GTETRG B/ GTETRG C/ GTETRG D/POE10#	SCK9		IRQ1		
14		PE3	A8	MTCLKD/MTCLKD#/ GTETRG A/ GTETRG B/ GTETRG C/ GTETRG D/POE11#	CTS9#/RTS9#/ SS9#		IRQ2_DS		
15	RES#								
16	XTAL	P37							
17	VSS								
18	EXTAL	P36							
19	VCC								
20	UPSEL	PE2		POE10#			NMI		
21		PE1	WR0#/WR#	MTIOC9D/ MTIOC9D#/TMO5	CTS5#/RTS5#/ SS5#/CTS12#/ RTS12#/SS12#/ SSLA3		IRQ15		
22		PE0	WR1#/ BC1#/ WAIT#	MTIOC9B/ MTIOC9B#/TMC11/ TMC15	RXD5/SMISO5/ SSCL5/SSLA2/ CRX0	USB0_OVR CURB	IRQ7		

**Table 1.5 List of Pin and Pin Functions (144-pin with PGA pseudo-differential input and with USB pin) (2/7)**

Pin Number 144-Pin LFQFP	Power Supply Clock System Control	I/O Port	Bus	Timer (MTU, GPTW, TMR, POE, POEG, CAC)	Communications (SCI, RSPI, RIIC, CAN)	Communica tions (USB)	Interrupt (IRQ, NMI)	Analog	Others
23	TRST#	PD7		MTIOC9A/ MTIOC9A#/ GTIOC0A/GTIOC3A/ GTIOC0A#/ GTIOC3A#/TMR11/ TMR15	TXD5/SMOSI5/ SSDA5/SSLA1/ CTX0		IRQ8		
24	TMS	PD6		MTIOC9C/ MTIOC9C#/ GTIOC0B/GTIOC3B/ GTIOC0B#/ GTIOC3B#/TMO1	CTS1#/RTS1#/ SS1#/CTS11#/ RTS11#/SS11#/ SSLA0		IRQ5		ADST0
25	TDI	PD5		GTIOC1A/ GTETRGA/ GTIOC1A#/TMR10/ TMR16	RXD1/SMISO1/ SSCL1/RXD11/ SMISO11/SSCL11		IRQ6		
26	TCK	PD4		GTIOC1B/ GTETRGB/ GTIOC1B#/TMC10/ TMC16	SCK1/SCK11		IRQ2		
27	TDO	PD3		GTIOC2A/ GTETRGC/ GTIOC2A#/TMO0	TXD1/SMOSI1/ SSDA1/TXD11/ SMOSI11/SSDA11				
28	TRCLK	PD2	A7	GTIOC2B/GTIOC0A/ GTIOC2B#/ GTIOC0A#/TMC11/ TMO4	SCK5/SCK8/ MOSIA	USB0_VBUS			
29	TRDATA3	PD1	A6	GTIOC3A/GTIOC0B/ GTIOC3A#/ GTIOC0B#/TMO2	RXD8/SMISO8/ SSCL8/MISOA				
30	TRDATA2	PD0	A5	GTIOC3B/GTIOC1A/ GTIOC3B#/ GTIOC1A#/TMO6	TXD8/SMOSI8/ SSDA8/RSPCKA				
31	TRDATA7	PF3	A19/CS3#	GTETRGA/TMO7	CTS11#/RTS11#/ SS11#/CRX0		IRQ14		COMP0
32	TRDATA6	PF2	A18/CS2#	GTETRGB/TMO3	SCK11/CTX0		IRQ5		COMP1
33	TRDATA5	PF1	A17/CS1#	GTETRGC/TMO5	RXD11/SMISO11/ SSCL11		IRQ13		COMP2
34	TRDATA4	PF0	A0/BC0#	GTETRGD/TMO1	TXD11/SMOSI11/ SSDA11		IRQ12		COMP3
35						USB0_DM			
36						USB0_DP			
37	VSS_USB								
38	VCC_USB								
39	TRDATA1	PB7	A4	GTIOC1B/ GTIOC1B#	SCK5/SCK11/ SCK12	USB0_OVR CURB			
40	TRDATA0	PB6	A3	GTIOC2A/ GTIOC2A#	RXD5/SMISO5/ SSCL5/RXD11/ SMISO11/SSCL11/ RXD12/SMISO12/ SSCL12/RXD12/ CRX0	USB0_OVR CURA	IRQ2		
41	TRSYNC	PB5	A2	GTIOC2B/ GTIOC2B#	TXD5/SMOSI5/ SSDA5/TXD11/ SMOSI11/SSDA11/ TXD12/SMOSI12/ SSDA12/TXD12/ SIOX12/CTX0	USB0_VBUS EN			
42	VCC								
43	TRSYNC1	PB4	A1	GTETRGA/ GTETRGB/ GTETRGC/ GTETRGD/POE8#	CTS5#/RTS5#/ SS5#/SCK11/ CTS11#/RTS11#/ SS11#	USB0_OVR CURB	IRQ3_DS		
44	VSS								

**Table 1.5 List of Pin and Pin Functions (144-pin with PGA pseudo-differential input and with USB pin) (3/7)**

Pin Number 144-Pin LFQFP	Power Supply Clock System Control	I/O Port	Bus	Timer (MTU, GPTW, TMR, POE, POEG, CAC)	Communications (SCI, RSPI, RIIC, CAN)	Communica tions (USB)	Interrupt (IRQ, NMI)	Analog	Others
45		PC2	CS1#	MTIOC0D/ MTIOC0D#/ GTADSM0	SCK8	USB0_ID/ USB0_OVR CURA	IRQ15		ADSM0/ COMP5
46		PC1	A16	MTIOC0C/ MTIOC0C#/ GTADSM1	TXD8/SMOSI8/ SSDA8	USB0_EXIC EN/ USB0_VBUS EN	IRQ13		ADSM1/ COMP4
47		PC0	CS0#	MTIOC0B/ MTIOC0B#	RXD8/SMISO8/ SSCL8	USB0_VBUS	IRQ12		COMP3
48		PB3	A7	MTIOC0A/ MTIOC0A#/ CACREF	SCK6/RSPCKA		IRQ9		
49		PB2	A6	MTIOC0B/ MTIOC0B#/ GTADSM0/TMRI0	TXD6/SMOSI6/ SSDA6/SDA				ADSM0
50		PB1	A5	MTIOC0C/ MTIOC0C#/ GTADSM1/TMCI0	RXD6/SMISO6/ SSCL6/SCL		IRQ4		ADSM1
51		PB0	A0/BC0#/A4	MTIOC0D/ MTIOC0D#/ TMO0	TXD6/SMOSI6/ SSDA6/CTS11#/ RTS11#/SS11#/ MOSIA		IRQ8		ADTRG2#
52		PA7	A15	MTCLKA/MTCLKC/ MTCLKA#/ MTCLKC#/ GTADSM0/TMO2	RXD11/SMISO11/ SSCL11/RXD12/ SMISO12/SSCL12/ RXDX12/CRX0				ADSM0
53		PA6	A14	MTCLKB/MTCLKD/ MTCLKB#/ MTCLKD#/ GTADSM1/TMO6	TXD11/SMOSI11/ SSDA11/TXD12/ SMOSI12/SSDA12/ TXDX12/SIOX12/ CTX0		IRQ7		ADSM1
54		PA5	A3	MTIOC1A/ MTIOC1A#/ TMCI3	RXD6/SMISO6/ SSCL6/RXD8/ SMISO8/SSCL8/ MISOA		IRQ1		ADTRG1#
55		PA4	A2	MTIOC1B/ MTIOC1B#/ TMCI7	SCK6/TXD8/ SMOSI8/SSDA8/ RSPCKA				ADTRG0#
56		PA3	A1	MTIOC2A/ MTIOC2A#/ GTADSM0/TMRI7	TXD9/SMOSI9/ SSDA9/SCK8/ SSLA0				
57		PA2	A0/BC0#	MTIOC2B/ MTIOC2B#/ GTADSM1/TMO7	CTS6#/RTS6#/ SS6#/RXD9/ SMISO9/SSCL9/ SCK11/SSLA1				
58		PA1		MTIOC6A/ MTIOC6A#/ TMO4	TXD9/SMOSI9/ SSDA9/RXD11/ SMISO11/SSCL11/ SSLA2/CRX0	USB0_ID/ USB0_OVR CURA	IRQ14_DS		ADTRG0#
59		PA0		MTIOC6C/ MTIOC6C#/ TMO2	SCK9/TXD11/ SMOSI11/SSDA11/ SSLA3/CTX0	USB0_EXIC EN/ USB0_VBUS EN			
60		P35	A13	MTIOC2A/MTIOC9A/ MTIOC2A#/ MTIOC9A#/ GTADSM0/TMO0	CTS8#/RTS8#/ SS8#/TXD1/ SMOSI1/SSDA1		IRQ6		
61		P34	A12	MTIOC2B/MTIOC9B/ MTIOC2B#/ MTIOC9B#/ GTADSM1/ GTETRQB/TMO4	CTS9#/RTS9#/ SS9#/RXD1/ SMISO1/SSCL1	USB0_OVR CURB	IRQ3		
62		PC6		MTIOC1A/MTIOC9C/ MTIOC1A#/ MTIOC9C#	RXD11/SMISO11/ SSCL11/CRX0		IRQ11_DS		

**Table 1.5 List of Pin and Pin Functions (144-pin with PGA pseudo-differential input and with USB pin) (4/7)**

Pin Number 144-Pin LFQFP	Power Supply Clock System Control	I/O Port	Bus	Timer (MTU, GPTW, TMR, POE, POEG, CAC)	Communications (SCI, RSPI, RIIC, CAN)	Communica tions (USB)	Interrupt (IRQ, NMI)	Analog	Others
63		PC5		MTIOC1B/MTIOC9D/ MTIOC1B#/ MTIOC9D#	TXD11/SMOSI11/ SSDA11/CTX0		IRQ10_DS		
64	VCC								
65		P96	CS0#/ WAIT#	GTETRGA/ GTETRGB/ GTETRGC/ GTETRGD/POE4#	CTS8#/RTS8#/ SS8#		IRQ4_DS		
66	VSS								
67		P95		MTIOC6B/ MTIOC6B#/ GTIOC4A/GTIOC7A/ GTIOC4A#/ GTIOC7A#					
68		P94		MTIOC7A/ MTIOC7A#/ GTIOC5A/GTIOC8A/ GTIOC5A#/ GTIOC8A#					
69		P93		MTIOC7B/ MTIOC7B#/ GTIOC6A/GTIOC9A/ GTIOC6A#/ GTIOC9A#					
70		P92		MTIOC6D/ MTIOC6D#/ GTIOC4B/GTIOC7B/ GTIOC4B#/ GTIOC7B#					
71		P91		MTIOC7C/ MTIOC7C#/ GTIOC5B/GTIOC8B/ GTIOC5B#/ GTIOC8B#					
72		P90		MTIOC7D/ MTIOC7D#/ GTIOC6B/GTIOC9B/ GTIOC6B#/ GTIOC9B#					
73		P76	D0 [A0/D0]	MTIOC4D/ MTIOC4D#/ GTIOC2B/GTIOC6B/ GTIOC2B#/ GTIOC6B#					
74		P75	D1 [A1/D1]	MTIOC4C/ MTIOC4C#/ GTIOC1B/GTIOC5B/ GTIOC1B#/ GTIOC5B#					
75		P74	D2 [A2/D2]	MTIOC3D/ MTIOC3D#/ GTIOC0B/GTIOC4B/ GTIOC0B#/ GTIOC4B#					
76		P73	D3 [A3/D3]	MTIOC4B/ MTIOC4B#/ GTIOC2A/GTIOC6A/ GTIOC2A#/ GTIOC6A#					
77		P72	D4 [A4/D4]	MTIOC4A/ MTIOC4A#/ GTIOC1A/GTIOC5A/ GTIOC1A#/ GTIOC5A#					

**Table 1.5 List of Pin and Pin Functions (144-pin with PGA pseudo-differential input and with USB pin) (5/7)**

Pin Number 144-Pin LFQFP	Power Supply Clock System Control	I/O Port	Bus	Timer (MTU, GPTW, TMR, POE, POEG, CAC)	Communications (SCI, RSPI, RIIC, CAN)	Communica tions (USB)	Interrupt (IRQ, NMI)	Analog	Others
78		P71	D5 [A5/D5]	MTIOC3B/ MTIOC3B#/ GTIOC0A/GTIOC4A/ GTIOC0A#/ GTIOC4A#					
79		P70	D6 [A6/D6]	GTETRGA/ GTETRGB/ GTETRGC/ GTETRGD/POE0#	CTS9#/RTS9#/ SS9#		IRQ5_DS		
80		PG2	D11 [A11/ D11]	GTETRGA/ GTIOC0B/ GTIOC0B#	SCK9		IRQ2		COMP0
81		PG1	D12 [A12/ D12]	GTIOC0A/ GTIOC0A#	TXD9/SMOSI9/ SSDA9		IRQ1		COMP1
82		PG0	D13 [A13/ D13]	GTIOC1B/ GTIOC1B#	RXD9/SMISO9/ SSCL9		IRQ0		COMP2
83		PK2	D14 [A14/ D14]	GTIOC1A/ GTIOC1A#/POE12#	CTS9#/RTS9#/ SS9#/SCK5		IRQ9_DS		COMP3
84		PK1	D15 [A15/ D15]	GTIOC2B/ GTIOC2B#/POE13#	CTS8#/RTS8#/ SS8#/TXD5/ SMOSI5/SSDA5		IRQ8_DS		COMP4
85		PK0	CS1#	GTIOC2A/ GTIOC2A#/POE14#	RXD5/SMISO5/ SSCL5		IRQ15_DS		COMP5
86		P33	D7 [A7/D7]	MTIOC3A/MTCLKA/ MTIOC3A#/ MTCLKA#/GTIOC3B/ GTIOC3B#/TMO0	SSLA3		IRQ13_DS		
87		P32	D8 [A8/D8]	MTIOC3C/MTCLKB/ MTIOC3C#/ MTCLKB#/GTIOC3A/ GTIOC3A#/TMO6	SSLA2		IRQ12_DS		
88	VCC								
89		P31	D9 [A9/D9]	MTIOC0A/MTCLKC/ MTIOC0A#/ MTCLKC#/TMRI6	SSLA1		IRQ6		
90	VSS								
91		P30	D10 [A10/ D10]	MTIOC0B/MTCLKD/ MTIOC0B#/ MTCLKD#/TMCI6	SCK8/CTS8#/ RTS8#/SS8#/ SSLA0		IRQ7		COMP3
92		P27	CS3#	MTIOC1A/MTIOC0C/ MTIOC1A#/ MTIOC0C#/POE9#			IRQ15		
93		P26	CS2#	MTIOC9A/ MTIOC9A#	CTS1#/RTS1#/ SS1#		IRQ11		ADST0
94		P25	CS3#	MTIOC9C/ MTIOC9C#	SCK1		IRQ10		ADST1
95		P24	D11 [A11/ D11]	MTIC5U/MTIC5U#/ TMCI2/TMO6	CTS8#/RTS8#/ SS8#/SCK8/ RSPCKA		IRQ4		COMP0
96		P23	D12 [A12/ D12]	MTIC5V/MTIC5V#/ TMO2/CACREF	TXD8/SMOSI8/ SSDA8/TXD12/ SMOSI12/SSDA12/ TXDX12/SIOX12/ MOSIA/CTX0		IRQ11		COMP1
97		P22	D13 [A13/ D13]	MTIC5W/MTCLKD/ MTIC5W#/ MTCLKD#/ MTIOC9B/TMRI2/ TMO4	RXD8/SMISO8/ SSCL8/RXD12/ SMISO12/SSCL12/ RXDX12/MISOA/ CRX0		IRQ10		ADTRG2#/ COMP2
98		PC4	A20	MTIOC9B/ MTIOC9B#	TXD1/SMOSI1/ SSDA1/TXD12/ SMOSI12/SSDA12/ TXDX12/SIOX12				ADST2/ COMP5

**Table 1.5 List of Pin and Pin Functions (144-pin with PGA pseudo-differential input and with USB pin) (6/7)**

Pin Number 144-Pin LFQFP	Power Supply Clock System Control	I/O Port	Bus	Timer (MTU, GPTW, TMR, POE, POEG, CAC)	Communications (SCI, RSPI, RIIC, CAN)	Communica tions (USB)	Interrupt (IRQ, NMI)	Analog	Others
99		PC3		MTIOC9D/ MTIOC9D#	RXD1/SMISO1/ SSCL1/RXD12/ SMISO12/SSCL12/ RXDX12		IRQ14		COMP4
100		P21	D14 [A14/ D14]	MTIOC9A/MTCLKA/ MTIOC9A#/ MTCLKA#/TMCI4	TXD8/SMOSI8/ SSDA8/TXD12/ SMOSI12/SSDA12/ TXDX12/SIOX12/ MOSIA		IRQ6_DS	AN217	ADTRG1#/ COMP5
101		P20	D15 [A15/ D15]	MTIOC9C/MTCLKB/ MTIOC9C#/ MTCLKB#/TMRI4	CTS8#/RTS8#/ SS8#/SCK8/ RSPCKA		IRQ7_DS	AN216	ADTRG0#/ COMP4
102		P65	A12				IRQ9	AN211/ CMPC53/ DA1	
103		P64	A13				IRQ8	AN210/ CMPC33/ DA0	
104	AVCC2								
105	AVCC2								
106	AVSS2								
107		P63	A14/A12				IRQ7	AN209/ CMPC23	
108		P62	A15/A13				IRQ6	AN208/ CMPC43	
109		P61	A16/A14				IRQ5	AN207/ CMPC13	
110		P60	A17/A15				IRQ4	AN206/ CMPC03	
111		P55	A18/A16				IRQ3	AN203/ CMPC32	
112		P54	A19/A17				IRQ2	AN202/ CMPC22	
113		P53	A20/A18				IRQ1	AN201/ CMPC12	
114		P52					IRQ0	AN200/ CMPC02	
115		P51						AN205/ CMPC52	
116		P50						AN204/ CMPC42	
117		PH7						AN106/ CVREFC1	
118		PH6						AN105	
119		PH5						AN104	
120		P47						AN103	
121		P46						AN102/ CMPC50/ CMPC51	
122		P45						AN101/ CMPC40/ CMPC41	
123		P44						AN100/ CMPC30/ CMPC31	
124		PH4						AN107/ PGAVSS1	
125		PH3						AN006/ CVREFC0	
126		PH2						AN005	



**Table 1.5 List of Pin and Pin Functions (144-pin with PGA pseudo-differential input and with USB pin) (7/7)**

Pin Number 144-Pin LFQFP	Power Supply Clock System Control	I/O Port	Bus	Timer (MTU, GPTW, TMR, POE, POEG, CAC)	Communications (SCI, RSPI, RIIC, CAN)	Communica tions (USB)	Interrupt (IRQ, NMI)	Analog	Others
127		PH1						AN004	
128		P43						AN003	
129		P42						AN002/ CMPC20/ CMPC21	
130		P41						AN001/ CMPC10/ CMPC11	
131		P40						AN000/ CMPC00/ CMPC01	
132		PH0						AN007/ PGAVSS0	
133	AVCC1								
134	AVCC0								
135	AVSS0								
136	AVSS1								
137		P82	ALE/WAIT#	MTIC5U/MTIC5U#/ TMO4	SCK6/SCK12		IRQ3		COMP5
138		P81	CS2#	MTIC5V/MTIC5V#/ TMC14	TXD6/SMOSI6/ SSDA6/TXD12/ SMOSI12/SSDA12/ TXDX12/SIOX12				COMP4
139		P80	CS1#	MTIC5W/MTIC5W#/ TMR14	RXD6/SMISO6/ SSCL6/RXD12/ SMISO12/SSCL12/ RXDX12		IRQ5		COMP3
140		P11	RD#	MTIOC3A/MTCLKC/ MTIOC3A#/ MTCLKC#/ MTIOC9D/GTIOC3B/ GTETRGA/ GTIOC3B#/ GTETRGC/TMO3/ POE9#			IRQ1_DS		
141		P10		MTIOC9B/MTCLKD/ MTIOC9B#/ MTCLKD#/ GTETRGB/ GTETRGD/TMR13/ POE12#	CTS6#/RTS6#/ SS6#		IRQ0_DS		
142		P17		MTIOC4D/ MTIOC4D#/ GTIOC2B/GTIOC9B/ GTIOC2B#/ GTIOC9B#			IRQ14		
143		P16		MTIOC4C/ MTIOC4C#/ GTIOC1B/GTIOC8B/ GTIOC1B#/ GTIOC8B#			IRQ13		
144		P15		MTIOC3D/ MTIOC3D#/ GTIOC0B/GTIOC7B/ GTIOC0B#/ GTIOC7B#			IRQ12		

Table 1.6 List of Pin and Pin Functions (112-pin with PGA pseudo-differential input and without USB pin) (1/5)

Pin Number 112-pin LQFP	Power Supply Clock System Control	I/O Port	Bus	Timer (MTU, GPTW, TMR, POE, POEG, CAC)	Communications (SCI, RSPI, RIIC, CAN)	Interrupt (IRQ, NMI)	Analog	Others
1		P14		MTIOC4B/MTIOC4B#/ GTIOC2A/GTIOC9A/ GTIOC2A#/GTIOC9A#		IRQ11		
2		P13		MTIOC4A/MTIOC4A#/ GTIOC1A/GTIOC8A/ GTIOC1A#/GTIOC8A#		IRQ10		
3		P12		MTIOC3B/MTIOC3B#/ GTIOC0A/GTIOC7A/ GTIOC0A#/GTIOC7A#		IRQ9		
4		PE5	BCLK	MTIOC9D/MTIOC9D#/ GTIOC3A/GTETRGB/ GTIOC3A#/GTETRGD	SCK9/CTS9#/RTS9#/ SS9#	IRQ0		ADST0
5	EMLE							
6	VSS							
7	UB	P00	A11	MTIOC9A/MTIOC9A#/ CACREF	RXD9/SMISO9/SSCL9/ RXD12/SMISO12/ SSCL12/RXD12	IRQ2		ADST1/ COMP0
8	VCL							
9	MD/FINED							
10		P01	A10	MTIOC9C/MTIOC9C#/ GTETRGA/GTETRGB/ GTETRGC/GTETRGD/ POE12#	TXD9/SMOSI9/SSDA9/ TXD12/SMOSI12/ SSDA12/TXD12/ SIOX12	IRQ4		ADST2/ COMP1
11		PE4	A9	MTCLKC/MTCLKC#/ GTETRGA/GTETRGB/ GTETRGC/GTETRGD/ POE10#	SCK9	IRQ1		
12		PE3	A8	MTCLKD/MTCLKD#/ GTETRGA/GTETRGB/ GTETRGC/GTETRGD/ POE11#	CTS9#/RTS9#/SS9#	IRQ2_DS		
13	RES#							
14	XTAL	P37						
15	VSS							
16	EXTAL	P36						
17	VCC							
18		PE2		POE10#		NMI		
19		PE1	WR0#/WR#	MTIOC9D/MTIOC9D#/ TMO5	CTS5#/RTS5#/SS5#/ CTS12#/RTS12#/ SS12#/SSLA3	IRQ15		
20		PE0	WR1#/BC1#/ WAIT#	MTIOC9B/MTIOC9B#/ TMC11/TMC15	RXD5/SMISO5/SSCL5/ SSLA2/CRX0	IRQ7		
21	TRST#	PD7		MTIOC9A/MTIOC9A#/ GTIOC0A/GTIOC3A/ GTIOC0A#/GTIOC3A#/ TMR11/TMR15	TXD5/SMOSI5/SSDA5/ SSLA1/CTX0	IRQ8		
22	TMS	PD6		MTIOC9C/MTIOC9C#/ GTIOC0B/GTIOC3B/ GTIOC0B#/GTIOC3B#/ TMO1	CTS1#/RTS1#/SS1#/ CTS11#/RTS11#/ SS11#/SSLA0	IRQ5		ADST0
23	TDI	PD5		GTIOC1A/GTETRGA/ GTIOC1A#/TMR10/ TMR16	RXD1/SMISO1/SSCL1/ RXD11/SMISO11/ SSCL11	IRQ6		
24	TCK	PD4		GTIOC1B/GTETRGB/ GTIOC1B#/TMC10/ TMC16	SCK1/SCK11	IRQ2		
25	TDO	PD3		GTIOC2A/GTETRGC/ GTIOC2A#/TMO0	TXD1/SMOSI1/SSDA1/ TXD11/SMOSI11/ SSDA11			

Table 1.6 List of Pin and Pin Functions (112-pin with PGA pseudo-differential input and without USB pin) (2/5)

Pin Number 112-pin LQFP	Power Supply Clock System Control	I/O Port	Bus	Timer (MTU, GPTW, TMR, POE, POEG, CAC)	Communications (SCI, RSPI, RIIC, CAN)	Interrupt (IRQ, NMI)	Analog	Others
26	TRCLK	PD2	A7	GTIOC2B/GTIOC0A/ GTIOC2B#/GTIOC0A#/ TMC11/TMO4	SCK5/SCK8/MOSIA			
27	TRDATA3	PD1	A6	GTIOC3A/GTIOC0B/ GTIOC3A#/GTIOC0B#/ TMO2	RXD8/SMISO8/SSCL8/ MISOA			
28	TRDATA2	PD0	A5	GTIOC3B/GTIOC1A/ GTIOC3B#/GTIOC1A#/ TMO6	TXD8/SMOSI8/SSDA8/ RSPCKA			
29	TRDATA1	PB7	A4	GTIOC1B/GTIOC1B#	SCK5/SCK11/SCK12			
30	TRDATA0	PB6	A3	GTIOC2A/GTIOC2A#	RXD5/SMISO5/SSCL5/ RXD11/SMISO11/ SSCL11/RXD12/ SMISO12/SSCL12/ RXDX12/CRX0	IRQ2		
31	TRSYNC	PB5	A2	GTIOC2B/GTIOC2B#	TXD5/SMOSI5/SSDA5/ TXD11/SMOSI11/ SSDA11/TXD12/ SMOSI12/SSDA12/ TXDX12/SIOX12/CTX0			
32	VCC							
33		PB4	A1	GTETRGA/GTETRGB/ GTETRGC/GTETRGD/ POE8#	CTS5#/RTS5#/SS5#/ SCK11/CTS11#/ RTS11#/SS11#	IRQ3_DS		
34	VSS							
35		PC2	CS1#	MTIOC0D/MTIOC0D#/ GTADSM0	SCK8	IRQ15		ADSM0/ COMP5
36		PC1	A16	MTIOC0C/MTIOC0C#/ GTADSM1	TXD8/SMOSI8/SSDA8	IRQ13		ADSM1/ COMP4
37		PC0	CS0#	MTIOC0B/MTIOC0B#	RXD8/SMISO8/SSCL8	IRQ12		COMP3
38		PB3		MTIOC0A/MTIOC0A#/ CACREF	SCK6/RSPCKA	IRQ9		
39		PB2		MTIOC0B/MTIOC0B#/ GTADSM0/TMRI0	TXD6/SMOSI6/SSDA6/ SDA			ADSM0
40		PB1		MTIOC0C/MTIOC0C#/ GTADSM1/TMC10	RXD6/SMISO6/SSCL6/ SCL	IRQ4		ADSM1
41		PB0	A0/BC0#	MTIOC0D/MTIOC0D#/ TMO0	TXD6/SMOSI6/SSDA6/ CTS11#/RTS11#/ SS11#/MOSIA	IRQ8		ADTRG2#
42		PA5		MTIOC1A/MTIOC1A#/ TMC13	RXD6/SMISO6/SSCL6/ RXD8/SMISO8/SSCL8/ MISOA	IRQ1		ADTRG1#
43		PA4		MTIOC1B/MTIOC1B#/ TMC17	SCK6/TXD8/SMOSI8/ SSDA8/RSPCKA			ADTRG0#
44		PA3		MTIOC2A/MTIOC2A#/ GTADSM0/TMRI7	TXD9/SMOSI9/SSDA9/ SCK8/SSLA0			
45		PA2	A0/BC0#	MTIOC2B/MTIOC2B#/ GTADSM1/TMO7	CTS6#/RTS6#/SS6#/ RXD9/SMISO9/SSCL9/ SSLA1			
46		PA1		MTIOC6A/MTIOC6A#/ TMO4	TXD9/SMOSI9/SSDA9/ RXD11/SMISO11/ SSCL11/SSLA2/CRX0	IRQ14_DS		ADTRG0#
47		PA0		MTIOC6C/MTIOC6C#/ TMO2	SCK9/TXD11/SMOSI11/ SSDA11/SSLA3/CTX0			
48	VCC							
49		P96	CS0#/WAIT#	GTETRGA/GTETRGB/ GTETRGC/GTETRGD/ POE4#	CTS8#/RTS8#/SS8#	IRQ4_DS		
50	VSS							

**Table 1.6 List of Pin and Pin Functions (112-pin with PGA pseudo-differential input and without USB pin) (3/5)**

Pin Number 112-pin LQFP	Power Supply Clock System Control	I/O Port	Bus	Timer (MTU, GPTW, TMR, POE, POEG, CAC)	Communications (SCI, RSPI, RIIC, CAN)	Interrupt (IRQ, NMI)	Analog	Others
51		P95		MTIOC6B/MTIOC6B#/ GTIOC4A/GTIOC7A/ GTIOC4A#/GTIOC7A#				
52		P94		MTIOC7A/MTIOC7A#/ GTIOC5A/GTIOC8A/ GTIOC5A#/GTIOC8A#				
53		P93		MTIOC7B/MTIOC7B#/ GTIOC6A/GTIOC9A/ GTIOC6A#/GTIOC9A#				
54		P92		MTIOC6D/MTIOC6D#/ GTIOC4B/GTIOC7B/ GTIOC4B#/GTIOC7B#				
55		P91		MTIOC7C/MTIOC7C#/ GTIOC5B/GTIOC8B/ GTIOC5B#/GTIOC8B#				
56		P90		MTIOC7D/MTIOC7D#/ GTIOC6B/GTIOC9B/ GTIOC6B#/GTIOC9B#				
57		P76	D0 [A0/D0]	MTIOC4D/MTIOC4D#/ GTIOC2B/GTIOC6B/ GTIOC2B#/GTIOC6B#				
58		P75	D1 [A1/D1]	MTIOC4C/MTIOC4C#/ GTIOC1B/GTIOC5B/ GTIOC1B#/GTIOC5B#				
59		P74	D2 [A2/D2]	MTIOC3D/MTIOC3D#/ GTIOC0B/GTIOC4B/ GTIOC0B#/GTIOC4B#				
60		P73	D3 [A3/D3]	MTIOC4B/MTIOC4B#/ GTIOC2A/GTIOC6A/ GTIOC2A#/GTIOC6A#				
61		P72	D4 [A4/D4]	MTIOC4A/MTIOC4A#/ GTIOC1A/GTIOC5A/ GTIOC1A#/GTIOC5A#				
62		P71	D5 [A5/D5]	MTIOC3B/MTIOC3B#/ GTIOC0A/GTIOC4A/ GTIOC0A#/GTIOC4A#				
63		P70	D6 [A6/D6]	GTETRG/GTETRGB/ GTETRGC/GTETRGD/ POE0#	CTS9#/RTS9#/SS9#	IRQ5_DS		
64		PG2	D11 [A11/D11]	GTETRG/GTIOC0B/ GTIOC0B#	SCK9	IRQ2		COMP0
65		PG1	D12 [A12/D12]	GTIOC0A/GTIOC0A#	TXD9/SMOSI9/SSDA9	IRQ1		COMP1
66		PG0	D13 [A13/D13]	GTIOC1B/GTIOC1B#	RXD9/SMISO9/SSCL9	IRQ0		COMP2
67		P33	D7 [A7/D7]	MTIOC3A/MTCLKA/ MTIOC3A#/MTCLKA#/ GTIOC3B/GTIOC3B#/ TMO0	SSLA3	IRQ13_DS		
68		P32	D8 [A8/D8]	MTIOC3C/MTCLKB/ MTIOC3C#/MTCLKB#/ GTIOC3A/GTIOC3A#/ TMO6	SSLA2	IRQ12_DS		
69	VCC							
70		P31	D9 [A9/D9]	MTIOC0A/MTCLKC/ MTIOC0A#/MTCLKC#/ TMRI6	SSLA1	IRQ6		
71	VSS							
72		P30	D10 [A10/D10]	MTIOC0B/MTCLKD/ MTIOC0B#/MTCLKD#/ TMCi6	SCK8/CTS8#/RTS8#/ SS8#/SSLA0	IRQ7		COMP3
73		P27		MTIOC1A/MTIOC0C/ MTIOC1A#/ MTIOC0C#/POE9#		IRQ15		

Table 1.6 List of Pin and Pin Functions (112-pin with PGA pseudo-differential input and without USB pin) (4/5)

Pin Number 112-pin LQFP	Power Supply Clock System Control	I/O Port	Bus	Timer (MTU, GPTW, TMR, POE, POEG, CAC)	Communications (SCI, RSPI, RIIC, CAN)	Interrupt (IRQ, NMI)	Analog	Others
74		P24	D11 [A11/D11]	MTIC5U/MTIC5U#/ TMC12/TMO6	CTS8#/RTS8#/SS8#/ SCK8/RSPCKA	IRQ4		COMP0
75		P23	D12 [A12/D12]	MTIC5V/MTIC5V#/ TMO2/CACREF	TXD8/SMOSI8/SSDA8/ TXD12/SMOSI12/ SSDA12/TXD12/ SIOX12/MOSIA/CTX0	IRQ11		COMP1
76		P22	D13 [A13/D13]	MTIC5W/ MTCLKD/MTIC5W#/ MTCLKD#/MTIOC9B/ TMR12/TMO4	RXD8/SMISO8/SSCL8/ RXD12/SMISO12/ SSCL12/RXD12/ MISOA/CRX0	IRQ10		ADTRG2#/ COMP2
77		P21	D14 [A14/D14]	MTIOC9A/MTCLKA/ MTIOC9A#/MTCLKA#/ TMC14	TXD8/SMOSI8/SSDA8/ TXD12/SMOSI12/ SSDA12/TXD12/ SIOX12/MOSIA	IRQ6_DS	AN217	ADTRG1#/ COMP5
78		P20	D15 [A15/D15]	MTIOC9C/MTCLKB/ MTIOC9C#/MTCLKB#/ TMR14	CTS8#/RTS8#/SS8#/ SCK8/RSPCKA	IRQ7_DS	AN216	ADTRG0#/ COMP4
79		P65	A12			IRQ9	AN211/ CMPC53/ DA1	
80		P64	A13			IRQ8	AN210/ CMPC33/ DA0	
81	AVCC2							
82	AVSS2							
83		P63	A14			IRQ7	AN209/ CMPC23	
84		P62	A15			IRQ6	AN208/ CMPC43	
85		P61	A16			IRQ5	AN207/ CMPC13	
86		P60	A17			IRQ4	AN206/ CMPC03	
87		P55	A18			IRQ3	AN203/ CMPC32	
88		P54	A19			IRQ2	AN202/ CMPC22	
89		P53	A20			IRQ1	AN201/ CMPC12	
90		P52				IRQ0	AN200/ CMPC02	
91		P47					AN103	
92		P46					AN102/ CMPC50/ CMPC51	
93		P45					AN101/ CMPC40/ CMPC41	
94		P44					AN100/ CMPC30/ CMPC31	
95		PH4					AN107/ PGAVSS1	
96		P43					AN003	
97		P42					AN002/ CMPC20/ CMPC21	
98		P41					AN001/ CMPC10/ CMPC11	

Table 1.6 List of Pin and Pin Functions (112-pin with PGA pseudo-differential input and without USB pin) (5/5)

Pin Number 112-pin LQFP	Power Supply Clock System Control	I/O Port	Bus	Timer (MTU, GPTW, TMR, POE, POEG, CAC)	Communications (SCI, RSPI, RIIC, CAN)	Interrupt (IRQ, NMI)	Analog	Others
99		P40					AN000/ CMPC00/ CMPC01	
100		PH0					AN007/ PGAVSS0	
101	AVCC1							
102	AVCC0							
103	AVSS0							
104	AVSS1							
105		P82	ALE/WAIT#	MTIC5U/MTIC5U#/ TMO4	SCK6/SCK12	IRQ3		COMP5
106		P81	CS2#	MTIC5V/MTIC5V#/ TMCI4	TXD6/SMOSI6/SSDA6/ TXD12/SMOSI12/ SSDA12/TXD12/ SIOX12			COMP4
107		P80	CS1#	MTIC5W/MTIC5W#/ TMR14	RXD6/SMISO6/SSCL6/ RXD12/SMISO12/ SSCL12/RXD12	IRQ5		COMP3
108		P11	RD#	MTIOC3A/MTCLKC/ MTIOC3A#/MTCLKC#/ MTIOC9D/GTIOC3B/ GTETRGA/GTIOC3B#/ GTETRGC/TMO3/ POE9#		IRQ1_DS		
109		P10		MTIOC9B/MTCLKD/ MTIOC9B#/MTCLKD#/ GTETRGB/GTETRGD/ TMR13/POE12#	CTS6#/RTS6#/SS6#	IRQ0_DS		
110		P17		MTIOC4D/MTIOC4D#/ GTIOC2B/GTIOC9B/ GTIOC2B#/GTIOC9B#		IRQ14		
111		P16		MTIOC4C/MTIOC4C#/ GTIOC1B/GTIOC8B/ GTIOC1B#/GTIOC8B#		IRQ13		
112		P15		MTIOC3D/MTIOC3D#/ GTIOC0B/GTIOC7B/ GTIOC0B#/GTIOC7B#		IRQ12		

**Table 1.7 List of Pin and Pin Functions (100-pin with PGA pseudo-differential input and with USB pin) (1/5)**

Pin Number 100-Pin LFQFP	Power Supply Clock System Control	I/O Port	Bus	Timer (MTU, GPTW, TMR, POE, POEG, CAC)	Communications (SCI, RSPI, RIIC, CAN)	Communica tions (USB)	Interrupt (IRQ, NMI)	Analog	Others
1		PE5	BCLK	MTIOC9D/ MTIOC9D#/ GTIOC3A/ GTETRGB/ GTIOC3A#/ GTETRGD	SCK9/CTS9#/ RTS9#/SS9#		IRQ0		ADST0
2	EMLE								
3	VSS								
4	UB	P00	A11	MTIOC9A/ MTIOC9A#/CACREF	RXD9/SMISO9/ SSCL9/RXD12/ SMISO12/SSCL12/ RXDX12		IRQ2		ADST1/ COMP0
5	VCL								
6	MD/FINED								
7		P01	A10	MTIOC9C/ MTIOC9C#/ GTETRGA/ GTETRGB/ GTETRGC/ GTETRGC/ GTETRGC/POE12#	TXD9/SMOSI9/ SSDA9/TXD12/ SMOSI12/SSDA12/ TXDX12/SIOX12		IRQ4		ADST2/ COMP1
8		PE4	A9	MTCLKC/MTCLKC#/ GTETRGA/ GTETRGB/ GTETRGC/ GTETRGC/POE10#	SCK9		IRQ1		
9		PE3	A8	MTCLKD/MTCLKD#/ GTETRGA/ GTETRGB/ GTETRGC/ GTETRGC/POE11#	CTS9#/RTS9#/ SS9#		IRQ2_DS		
10	RES#								
11	XTAL	P37							
12	VSS								
13	EXTAL	P36							
14	VCC								
15	UPSEL	PE2		POE10#			NMI		
16		PE1	WR0#/WR#	MTIOC9D/ MTIOC9D#/TMO5	CTS5#/RTS5#/ SS5#/CTS12#/ RTS12#/SS12#/ SSLA3		IRQ15		
17		PE0	WR1#/ BC1#/ WAIT#	MTIOC9B/ MTIOC9B#/TMC11/ TMC15	RXD5/SMISO5/ SSCL5/SSLA2/ CRX0	USB0_OVR CURB	IRQ7		
18	TRST#	PD7		MTIOC9A/ MTIOC9A#/ GTIOC0A/GTIOC3A/ GTIOC0A#/ GTIOC3A#/TMR11/ TMR15	TXD5/SMOSI5/ SSDA5/SSLA1/ CTX0		IRQ8		
19	TMS	PD6		MTIOC9C/ MTIOC9C#/ GTIOC0B/GTIOC3B/ GTIOC0B#/ GTIOC3B#/TMO1	CTS1#/RTS1#/ SS1#/CTS11#/ RTS11#/SS11#/ SSLA0		IRQ5		ADST0
20	TDI	PD5		GTIOC1A/ GTETRGA/ GTIOC1A#/TMR10/ TMR16	RXD1/SMISO1/ SSCL1/RXD11/ SMISO11/SSCL11		IRQ6		
21	TCK	PD4		GTIOC1B/ GTETRGB/ GTIOC1B#/TMC10/ TMC16	SCK1/SCK11		IRQ2		

**Table 1.7 List of Pin and Pin Functions (100-pin with PGA pseudo-differential input and with USB pin) (2/5)**

Pin Number 100-Pin LFQFP	Power Supply Clock System Control	I/O Port	Bus	Timer (MTU, GPTW, TMR, POE, POEG, CAC)	Communications (SCI, RSPI, RIIC, CAN)	Communica tions (USB)	Interrupt (IRQ, NMI)	Analog	Others
22	TDO	PD3		GTIOC2A/ GTETRGC/ GTIOC2A#/TMO0	TXD1/SMOS11/ SSDA1/TXD11/ SMOS11/SSDA11				
23	TRCLK	PD2	A7	GTIOC2B/GTIOC0A/ GTIOC2B#/ GTIOC0A#/TMC11/ TMO4	SCK5/SCK8/ MOSIA	USB0_VBUS			
24						USB0_DM			
25						USB0_DP			
26	VCC_USB								
27	TRDATA0	PB6	A3	GTIOC2A/ GTIOC2A#	RXD5/SMISO5/ SSCL5/RXD11/ SMISO11/SSCL11/ RXD12/SMISO12/ SSCL12/RXD12/ CRX0	USB0_OVR CURA	IRQ2		
28	TRSYNC	PB5	A2	GTIOC2B/ GTIOC2B#	TXD5/SMOSI5/ SSDA5/TXD11/ SMOSI11/SSDA11/ TXD12/SMOSI12/ SSDA12/TXD12/ SIOX12/CTX0	USB0_VBUS EN			
29	VCC								
30		PB4	A1	GTETPGA/ GTETRGA/ GTETRGC/ GTETRGC/ GTETRGC/POE8#	CTS5#/RTS5#/ SS5#/SCK11/ CTS11#/RTS11#/ SS11#	USB0_OVR CURB	IRQ3_DS		
31	VSS/VSS_USB								
32		PB3	A7	MTIOC0A/ MTIOC0A#/CACREF	SCK6/RSPCKA		IRQ9		
33		PB2	A6	MTIOC0B/ MTIOC0B#/ GTADSM0/TMRI0	TXD6/SMOSI6/ SSDA6/SDA				ADSM0
34		PB1	A5	MTIOC0C/ MTIOC0C#/ GTADSM1/TMCI0	RXD6/SMISO6/ SSCL6/SCL		IRQ4		ADSM1
35		PB0	A0/BC0#/A4	MTIOC0D/ MTIOC0D#/TMO0	TXD6/SMOSI6/ SSDA6/CTS11#/ RTS11#/SS11#/ MOSIA		IRQ8		ADTRG2#
36		PA5	A3	MTIOC1A/ MTIOC1A#/TMC13	RXD6/SMISO6/ SSCL6/RXD8/ SMISO8/SSCL8/ MISOA		IRQ1		ADTRG1#
37		PA4	A2	MTIOC1B/ MTIOC1B#/TMC17	SCK6/TXD8/ SMOSI8/SSDA8/ RSPCKA				ADTRG0#
38		PA3	A1	MTIOC2A/ MTIOC2A#/ GTADSM0/TMRI7	TXD9/SMOSI9/ SSDA9/SCK8/ SSLA0				
39		PA2	A0/BC0#	MTIOC2B/ MTIOC2B#/ GTADSM1/TMO7	CTS6#/RTS6#/ SS6#/RXD9/ SMISO9/SSCL9/ SCK11/SSLA1				
40		PA1		MTIOC6A/ MTIOC6A#/TMO4	TXD9/SMOSI9/ SSDA9/RXD11/ SMISO11/SSCL11/ SSLA2/CRX0	USB0_ID/ USB0_OVR CURA	IRQ14_DS		ADTRG0#
41		PA0		MTIOC6C/ MTIOC6C#/TMO2	SCK9/TXD11/ SMOSI11/SSDA11/ SSLA3/CTX0	USB0_EXIC EN/ USB0_VBUS EN			
42	VCC								



**Table 1.7 List of Pin and Pin Functions (100-pin with PGA pseudo-differential input and with USB pin) (3/5)**

Pin Number 100-Pin LFQFP	Power Supply Clock System Control	I/O Port	Bus	Timer (MTU, GPTW, TMR, POE, POEG, CAC)	Communications (SCI, RSPI, RIIC, CAN)	Communica tions (USB)	Interrupt (IRQ, NMI)	Analog	Others
43		P96	CS0#/ WAIT#	GTETRG A/ GTETRG B/ GTETRG C/ GTETRG D/POE4#	CTS8#/RTS8#/ SS8#		IRQ4_DS		
44	VSS								
45		P95		MTIOC6B/ MTIOC6B#/ GTIOC4A/GTIOC7A/ GTIOC4A#/ GTIOC7A#					
46		P94		MTIOC7A/ MTIOC7A#/ GTIOC5A/GTIOC8A/ GTIOC5A#/ GTIOC8A#					
47		P93		MTIOC7B/ MTIOC7B#/ GTIOC6A/GTIOC9A/ GTIOC6A#/ GTIOC9A#					
48		P92		MTIOC6D/ MTIOC6D#/ GTIOC4B/GTIOC7B/ GTIOC4B#/ GTIOC7B#					
49		P91		MTIOC7C/ MTIOC7C#/ GTIOC5B/GTIOC8B/ GTIOC5B#/ GTIOC8B#					
50		P90		MTIOC7D/ MTIOC7D#/ GTIOC6B/GTIOC9B/ GTIOC6B#/ GTIOC9B#					
51		P76	D0 [A0/D0]	MTIOC4D/ MTIOC4D#/ GTIOC2B/GTIOC6B/ GTIOC2B#/ GTIOC6B#					
52		P75	D1 [A1/D1]	MTIOC4C/ MTIOC4C#/ GTIOC1B/GTIOC5B/ GTIOC1B#/ GTIOC5B#					
53		P74	D2 [A2/D2]	MTIOC3D/ MTIOC3D#/ GTIOC0B/GTIOC4B/ GTIOC0B#/ GTIOC4B#					
54		P73	D3 [A3/D3]	MTIOC4B/ MTIOC4B#/ GTIOC2A/GTIOC6A/ GTIOC2A#/ GTIOC6A#					
55		P72	D4 [A4/D4]	MTIOC4A/ MTIOC4A#/ GTIOC1A/GTIOC5A/ GTIOC1A#/ GTIOC5A#					
56		P71	D5 [A5/D5]	MTIOC3B/ MTIOC3B#/ GTIOC0A/GTIOC4A/ GTIOC0A#/ GTIOC4A#					
57		P70	D6 [A6/D6]	GTETRG A/ GTETRG B/ GTETRG C/ GTETRG D/POE0#	CTS9#/RTS9#/ SS9#		IRQ5_DS		

**Table 1.7 List of Pin and Pin Functions (100-pin with PGA pseudo-differential input and with USB pin) (4/5)**

Pin Number 100-Pin LFQFP	Power Supply Clock System Control	I/O Port	Bus	Timer (MTU, GPTW, TMR, POE, POEG, CAC)	Communications (SCI, RSPI, RIIC, CAN)	Communica tions (USB)	Interrupt (IRQ, NMI)	Analog	Others
58		P33	D7 [A7/D7]	MTIOC3A/MTCLKA/ MTIOC3A#/ MTCLKA#/GTIOC3B/ GTIOC3B#/TMO0	SSLA3		IRQ13_DS		
59		P32	D8 [A8/D8]	MTIOC3C/MTCLKB/ MTIOC3C#/ MTCLKB#/GTIOC3A/ GTIOC3A#/TMO6	SSLA2		IRQ12_DS		
60	VCC								
61		P31	D9 [A9/D9]	MTIOC0A/MTCLKC/ MTIOC0A#/ MTCLKC#/TMRI6	SSLA1		IRQ6		
62	VSS								
63		P30	D10 [A10/ D10]	MTIOC0B/MTCLKD/ MTIOC0B#/ MTCLKD#/TMCI6	SCK8/CTS8#/ RTS8#/SS8#/ SSLA0		IRQ7		COMP3
64		P27	CS3#	MTIOC1A/MTIOC0C/ MTIOC1A#/ MTIOC0C#/POE9#			IRQ15		
65		P24	D11 [A11/ D11]	MTIC5U/MTIC5U#/ TMCI2/TMO6	CTS8#/RTS8#/ SS8#/SCK8/ RSPCKA		IRQ4		COMP0
66		P23	D12 [A12/ D12]	MTIC5V/MTIC5V#/ TMO2/CACREF	TXD8/SMOSI8/ SSDA8/TXD12/ SMOSI12/SSDA12/ TXDX12/SIOX12/ MOSIA/CTX0		IRQ11		COMP1
67		P22	D13 [A13/ D13]	MTIC5W/MTCLKD/ MTIC5W#/ MTCLKD#/ MTIOC9B/TMRI2/ TMO4	RXD8/SMISO8/ SSCL8/RXD12/ SMISO12/SSCL12/ RXDX12/MISOA/ CRX0		IRQ10		ADTRG2#/ COMP2
68		P21	D14 [A14/ D14]	MTIOC9A/MTCLKA/ MTIOC9A#/ MTCLKA#/TMCI4	TXD8/SMOSI8/ SSDA8/TXD12/ SMOSI12/SSDA12/ TXDX12/SIOX12/ MOSIA		IRQ6_DS	AN217	ADTRG1#/ COMP5
69		P20	D15 [A15/ D15]	MTIOC9C/MTCLKB/ MTIOC9C#/ MTCLKB#/TMRI4	CTS8#/RTS8#/ SS8#/SCK8/ RSPCKA		IRQ7_DS	AN216	ADTRG0#/ COMP4
70		P65	A12				IRQ9	AN211/ CMPC53/ DA1	
71		P64	A13				IRQ8	AN210/ CMPC33/ DA0	
72	AVCC2								
73	AVSS2								
74		P63	A14/A12				IRQ7	AN209/ CMPC23	
75		P62	A15/A13				IRQ6	AN208/ CMPC43	
76		P61	A16/A14				IRQ5	AN207/ CMPC13	
77		P60	A17/A15				IRQ4	AN206/ CMPC03	
78		P55	A18/A16				IRQ3	AN203/ CMPC32	
79		P54	A19/A17				IRQ2	AN202/ CMPC22	
80		P53	A20/A18				IRQ1	AN201/ CMPC12	

**Table 1.7 List of Pin and Pin Functions (100-pin with PGA pseudo-differential input and with USB pin) (5/5)**

Pin Number 100-Pin LFQFP	Power Supply Clock System Control	I/O Port	Bus	Timer (MTU, GPTW, TMR, POE, POEG, CAC)	Communications (SCI, RSPI, RIIC, CAN)	Communica tions (USB)	Interrupt (IRQ, NMI)	Analog	Others
81		P52					IRQ0	AN200/ CMPC02	
82		P47						AN103	
83		P46						AN102/ CMPC50/ CMPC51	
84		P45						AN101/ CMPC40/ CMPC41	
85		P44						AN100/ CMPC30/ CMPC31	
86		PH4						AN107/ PGAVSS1	
87		P43						AN003	
88		P42						AN002/ CMPC20/ CMPC21	
89		P41						AN001/ CMPC10/ CMPC11	
90		P40						AN000/ CMPC00/ CMPC01	
91		PH0						AN007/ PGAVSS0	
92	AVCC1								
93	AVCC0								
94	AVSS0								
95	AVSS1								
96		P82	ALE/WAIT#	MTIC5U/MTIC5U#/ TMO4	SCK6/SCK12		IRQ3		COMP5
97		P81	CS2#	MTIC5V/MTIC5V#/ TMC14	TXD6/SMOSI6/ SSDA6/TXD12/ SMOSI12/SSDA12/ TXDX12/SIOX12				COMP4
98		P80	CS1#	MTIC5W/MTIC5W#/ TMRI4	RXD6/SMISO6/ SSCL6/RXD12/ SMISO12/SSCL12/ RXDX12		IRQ5		COMP3
99		P11	RD#	MTIOC3A/MTCLKC/ MTIOC3A#/ MTCLKC#/ MTIOC9D/GTIOC3B/ GTETRGA/ GTIOC3B#/ GTETRGC/TMO3/ POE9#			IRQ1_DS		
100		P10		MTIOC9B/MTCLKD/ MTIOC9B#/ MTCLKD#/ GTETRGB/ GTETRGD/TMRI3/ POE12#	CTS6#/RTS6#/ SS6#		IRQ0_DS		

**Table 1.8 List of Pin and Pin Functions (100-pin with PGA pseudo-differential input and without USB pin) (1/5)**

Pin Number 100-Pin LFQFP	Power Supply Clock System Control	I/O Port	Bus	Timer (MTU, GPTW, TMR, POE, POEG, CAC)	Communications (SCI, RSPI, RIIC, CAN)	Interrupt (IRQ, NMI)	Analog	Others
1		PE5	BCLK	MTIOC9D/MTIOC9D#/ GTIOC3A/GTETRGB/ GTIOC3A#/GTETRGD	SCK9/CTS9#/RTS9#/ SS9#	IRQ0		ADST0
2	EMLE							
3	VSS							
4	UB	P00	A11	MTIOC9A/MTIOC9A#/ CACREF	RXD9/SMISO9/SSCL9/ RXD12/SMISO12/ SSCL12/RXDX12	IRQ2		ADST1/ COMP0
5	VCL							
6	MD/FINED							
7		P01	A10	MTIOC9C/MTIOC9C#/ GTETRGA/GTETRGB/ GTETRGD/GTETRGD/ POE12#	TXD9/SMOSI9/SSDA9/ TXD12/SMOSI12/ SSDA12/TXDX12/ SIOX12	IRQ4		ADST2/ COMP1
8		PE4	A9	MTCLKC/MTCLKC#/ GTETRGA/GTETRGB/ GTETRGD/GTETRGD/ POE10#	SCK9	IRQ1		
9		PE3	A8	MTCLKD/MTCLKD#/ GTETRGA/GTETRGB/ GTETRGD/GTETRGD/ POE11#	CTS9#/RTS9#/SS9#	IRQ2_DS		
10	RES#							
11	XTAL	P37						
12	VSS							
13	EXTAL	P36						
14	VCC							
15		PE2		POE10#		NMI		
16		PE1	WR0#/WR#	MTIOC9D/MTIOC9D#/ TMO5	CTS5#/RTS5#/SS5#/ CTS12#/RTS12#/ SS12#/SSLA3	IRQ15		
17		PE0	WR1#/BC1#/ WAIT#	MTIOC9B/MTIOC9B#/ TMC11/TMC15	RXD5/SMISO5/SSCL5/ SSLA2/CRX0	IRQ7		
18	TRST#	PD7		MTIOC9A/MTIOC9A#/ GTIOC0A/GTIOC3A/ GTIOC0A#/GTIOC3A#/ TMR11/TMR15	TXD5/SMOSI5/SSDA5/ SSLA1/CTX0	IRQ8		
19	TMS	PD6		MTIOC9C/MTIOC9C#/ GTIOC0B/GTIOC3B/ GTIOC0B#/GTIOC3B#/ TMO1	CTS1#/RTS1#/SS1#/ CTS11#/RTS11#/ SS11#/SSLA0	IRQ5		ADST0
20	TDI	PD5		GTIOC1A/GTETRGA/ GTIOC1A#/TMR10/ TMR16	RXD1/SMISO1/SSCL1/ RXD11/SMISO11/ SSCL11	IRQ6		
21	TCK	PD4		GTIOC1B/GTETRGB/ GTIOC1B#/TMC10/ TMC16	SCK1/SCK11	IRQ2		
22	TDO	PD3		GTIOC2A/GTETRGD/ GTIOC2A#/TMO0	TXD1/SMOSI1/SSDA1/ TXD11/SMOSI11/ SSDA11			
23	TRCLK	PD2	A7	GTIOC2B/GTIOC0A/ GTIOC2B#/GTIOC0A#/ TMC11/TMO4	SCK5/SCK8/MOSIA			
24	TRDATA3	PD1	A6	GTIOC3A/GTIOC0B/ GTIOC3A#/GTIOC0B#/ TMO2	RXD8/SMISO8/SSCL8/ MISOA			
25	TRDATA2	PD0	A5	GTIOC3B/GTIOC1A/ GTIOC3B#/GTIOC1A#/ TMO6	TXD8/SMOSI8/SSDA8/ RSPCKA			
26	TRDATA1	PB7	A4	GTIOC1B/GTIOC1B#	SCK5/SCK11/SCK12			

Table 1.8 List of Pin and Pin Functions (100-pin with PGA pseudo-differential input and without USB pin) (2/5)

Pin Number 100-Pin LFQFP	Power Supply Clock System Control	I/O Port	Bus	Timer (MTU, GPTW, TMR, POE, POEG, CAC)	Communications (SCI, RSPI, RIIC, CAN)	Interrupt (IRQ, NMI)	Analog	Others
27	TRDATA0	PB6	A3	GTIOC2A/GTIOC2A#	RXD5/SMISO5/SSCL5/ RXD11/SMISO11/ SSCL11/RXD12/ SMISO12/SSCL12/ RXDX12/CRX0	IRQ2		
28	TRSYNC	PB5	A2	GTIOC2B/GTIOC2B#	TXD5/SMOSI5/SSDA5/ TXD11/SMOSI11/ SSDA11/TXD12/ SMOSI12/SSDA12/ TXDX12/SIOX12/CTX0			
29	VCC							
30		PB4	A1	GTETRGA/GTETRGB/ GTETRGC/GTETRGD/ POE8#	CTS5#/RTS5#/SS5#/ SCK11/CTS11#/ RTS11#/SS11#	IRQ3_DS		
31	VSS							
32		PB3	A7*1	MTIOC0A/MTIOC0A#/ CACREF	SCK6/RSPCKA	IRQ9		
33		PB2	A6*1	MTIOC0B/MTIOC0B#/ GTADSM0/TMRI0	TXD6/SMOSI6/SSDA6/ SDA			ADSM0
34		PB1	A5*1	MTIOC0C/MTIOC0C#/ GTADSM1/TMCI0	RXD6/SMISO6/SSCL6/ SCL	IRQ4		ADSM1
35		PB0	A0/A4*1/BC0#	MTIOC0D/MTIOC0D#/ TMO0	TXD6/SMOSI6/SSDA6/ CTS11#/RTS11#/ SS11#/MOSIA	IRQ8		ADTRG2#
36		PA5	A3*1	MTIOC1A/MTIOC1A#/ TMCI3	RXD6/SMISO6/SSCL6/ RXD8/SMISO8/SSCL8/ MISOA	IRQ1		ADTRG1#
37		PA4	A2*1	MTIOC1B/MTIOC1B#/ TMCI7	SCK6/TXD8/SMOSI8/ SSDA8/RSPCKA			ADTRG0#
38		PA3	A1*1	MTIOC2A/MTIOC2A#/ GTADSM0/TMRI7	TXD9/SMOSI9/SSDA9/ SCK8/SSLA0			
39		PA2	A0/BC0#	MTIOC2B/MTIOC2B#/ GTADSM1/TMO7	CTS6#/RTS6#/SS6#/ RXD9/SMISO9/SSCL9/ SCK11*1/SSLA1			
40		PA1		MTIOC6A/MTIOC6A#/ TMO4	TXD9/SMOSI9/SSDA9/ RXD11/SMISO11/ SSCL11/SSLA2/CRX0	IRQ14_DS		ADTRG0#
41		PA0		MTIOC6C/MTIOC6C#/ TMO2	SCK9/TXD11/SMOSI11/ SSDA11/SSLA3/CTX0			
42	VCC							
43		P96	CS0#/WAIT#	GTETRGA/GTETRGB/ GTETRGC/GTETRGD/ POE4#	CTS8#/RTS8#/SS8#	IRQ4_DS		
44	VSS							
45		P95		MTIOC6B/MTIOC6B#/ GTIOC4A/GTIOC7A/ GTIOC4A#GTIOC7A#				
46		P94		MTIOC7A/MTIOC7A#/ GTIOC5A/GTIOC8A/ GTIOC5A#GTIOC8A#				
47		P93		MTIOC7B/MTIOC7B#/ GTIOC6A/GTIOC9A/ GTIOC6A#GTIOC9A#				
48		P92		MTIOC6D/MTIOC6D#/ GTIOC4B/GTIOC7B/ GTIOC4B#GTIOC7B#				
49		P91		MTIOC7C/MTIOC7C#/ GTIOC5B/GTIOC8B/ GTIOC5B#GTIOC8B#				
50		P90		MTIOC7D/MTIOC7D#/ GTIOC6B/GTIOC9B/ GTIOC6B#GTIOC9B#				

**Table 1.8 List of Pin and Pin Functions (100-pin with PGA pseudo-differential input and without USB pin) (3/5)**

Pin Number 100-Pin LFQFP	Power Supply Clock System Control	I/O Port	Bus	Timer (MTU, GPTW, TMR, POE, POEG, CAC)	Communications (SCI, RSPI, RIIC, CAN)	Interrupt (IRQ, NMI)	Analog	Others
51		P76	D0 [A0/D0]	MTIOC4D/MTIOC4D#/ GTIOC2B/GTIOC6B/ GTIOC2B#/GTIOC6B#				
52		P75	D1 [A1/D1]	MTIOC4C/MTIOC4C#/ GTIOC1B/GTIOC5B/ GTIOC1B#/GTIOC5B#				
53		P74	D2 [A2/D2]	MTIOC3D/MTIOC3D#/ GTIOC0B/GTIOC4B/ GTIOC0B#/GTIOC4B#				
54		P73	D3 [A3/D3]	MTIOC4B/MTIOC4B#/ GTIOC2A/GTIOC6A/ GTIOC2A#/GTIOC6A#				
55		P72	D4 [A4/D4]	MTIOC4A/MTIOC4A#/ GTIOC1A/GTIOC5A/ GTIOC1A#/GTIOC5A#				
56		P71	D5 [A5/D5]	MTIOC3B/MTIOC3B#/ GTIOC0A/GTIOC4A/ GTIOC0A#/GTIOC4A#				
57		P70	D6 [A6/D6]	GTETRG/MTETRGB/ GTETRG/MTETRGD/ POE0#	CTS9#/RTS9#/SS9#	IRQ5_DS		
58		P33	D7 [A7/D7]	MTIOC3A/MTCLKA/ MTIOC3A#/MTCLKA#/ GTIOC3B/GTIOC3B#/ TMO0	SSLA3	IRQ13_DS		
59		P32	D8 [A8/D8]	MTIOC3C/MTCLKB/ MTIOC3C#/MTCLKB#/ GTIOC3A/GTIOC3A#/ TMO6	SSLA2	IRQ12_DS		
60	VCC							
61		P31	D9 [A9/D9]	MTIOC0A/MTCLKC/ MTIOC0A#/MTCLKC#/ TMR16	SSLA1	IRQ6		
62	VSS							
63		P30	D10 [A10/D10]	MTIOC0B/MTCLKD/ MTIOC0B#/MTCLKD#/ TMC16	SCK8/CTS8#/RTS8#/ SS8#/SSLA0	IRQ7		COMP3
64		P27	CS3*1	MTIOC1A/MTIOC0C/ MTIOC1A#/ MTIOC0C#/POE9#		IRQ15		
65		P24	D11 [A11/D11]	MTIC5U/MTIC5U#/ TMC12/TMO6	CTS8#/RTS8#/SS8#/ SCK8/RSPCKA	IRQ4		COMP0
66		P23	D12 [A12/D12]	MTIC5V/MTIC5V#/ TMO2/CACREF	TXD8/SMOSI8/SSDA8/ TXD12/SMOSI12/ SSDA12/TXDX12/ SIOX12/MOSIA/CTX0	IRQ11		COMP1
67		P22	D13 [A13/D13]	MTIC5W/MTCLKD/ MTIC5W#/MTCLKD#/ MTIOC9B/TMR12/ TMO4	RXD8/SMOSI8/SSCL8/ RXD12/SMOSI12/ SSCL12/RXDX12/ MISOA/CRX0	IRQ10		ADTRG2#/ COMP2
68		P21	D14 [A14/D14]	MTIOC9A/MTCLKA/ MTIOC9A#/MTCLKA#/ TMC14	TXD8/SMOSI8/SSDA8/ TXD12/SMOSI12/ SSDA12/TXDX12/ SIOX12/MOSIA	IRQ6_DS	AN217	ADTRG1#/ COMP5
69		P20	D15 [A15/D15]	MTIOC9C/MTCLKB/ MTIOC9C#/MTCLKB#/ TMR14	CTS8#/RTS8#/SS8#/ SCK8/RSPCKA	IRQ7_DS	AN216	ADTRG0#/ COMP4
70		P65	A12			IRQ9	AN211/ CMPC53/ DA1	
71		P64	A13			IRQ8	AN210/ CMPC33/ DA0	
72	AVCC2							

**Table 1.8 List of Pin and Pin Functions (100-pin with PGA pseudo-differential input and without USB pin) (4/5)**

Pin Number 100-Pin LFQFP	Power Supply Clock System Control	I/O Port	Bus	Timer (MTU, GPTW, TMR, POE, POEG, CAC)	Communications (SCI, RSPI, RIIC, CAN)	Interrupt (IRQ, NMI)	Analog	Others
73	AVSS2							
74		P63	A12*/A14			IRQ7	AN209/ CMPC23	
75		P62	A13*/A15			IRQ6	AN208/ CMPC43	
76		P61	A14*/A16			IRQ5	AN207/ CMPC13	
77		P60	A15*/A17			IRQ4	AN206/ CMPC03	
78		P55	A16*/A18			IRQ3	AN203/ CMPC32	
79		P54	A17*/A19			IRQ2	AN202/ CMPC22	
80		P53	A18*/A20			IRQ1	AN201/ CMPC12	
81		P52				IRQ0	AN200/ CMPC02	
82		P47					AN103	
83		P46					AN102/ CMPC50/ CMPC51	
84		P45					AN101/ CMPC40/ CMPC41	
85		P44					AN100/ CMPC30/ CMPC31	
86		PH4					AN107/ PGAVSS1	
87		P43					AN003	
88		P42					AN002/ CMPC20/ CMPC21	
89		P41					AN001/ CMPC10/ CMPC11	
90		P40					AN000/ CMPC00/ CMPC01	
91		PH0					AN007/ PGAVSS0	
92	AVCC1							
93	AVCC0							
94	AVSS0							
95	AVSS1							
96		P82	ALE/WAIT#	MTIC5U/MTIC5U#/ TMO4	SCK6/SCK12	IRQ3		COMP5
97		P81	CS2#	MTIC5V/MTIC5V#/ TMC14	TXD6/SMOSI6/SSDA6/ TXD12/SMOSI12/ SSDA12/TXD12/ SIOX12			COMP4
98		P80	CS1#	MTIC5W/MTIC5W#/ TMR14	RXD6/SMISO6/SSCL6/ RXD12/SMISO12/ SSCL12/RXD12	IRQ5		COMP3
99		P11	RD#	MTIOC3A/MTCLKC/ MTIOC3A#/MTCLKC#/ MTIOC9D/GTIOC3B/ GTETRGA/GTIOC3B#/ GTETRGC/TMO3/ POE9#		IRQ1_DS		

**Table 1.8 List of Pin and Pin Functions (100-pin with PGA pseudo-differential input and without USB pin) (5/5)**

Pin Number 100-Pin LFQFP	Power Supply Clock System Control	I/O Port	Bus	Timer (MTU, GPTW, TMR, POE, POEG, CAC)	Communications (SCI, RSPI, RIIC, CAN)	Interrupt (IRQ, NMI)	Analog	Others
100		P10		MTIOC9B/MTCLKD/ MTIOC9B#/MTCLKD#/ GTETRGB/GTETRGD/ TMRI3/POE12#	CTS6#/RTS6#/SS6#	IRQ0_DS		

Note 1. These pins are only enabled for products with 128 Kbytes of RAM.



Table 1.9 List of Pin and Pin Functions (100-pin without PGA pseudo-differential input and without USB pin) (1/5)

Pin Number 100-Pin LFQFP	Power Supply Clock System Control	I/O Port	Bus	Timer (MTU, GPTW, TMR, POE, POEG, CAC)	Communications (SCI, RSPI, RIIC, CAN)	Interrupt (IRQ, NMI)	Analog	Others
1		PE5	BCLK	MTIOC9D/MTIOC9D#/ GTIOC3A/GTETRGB/ GTIOC3A#/GTETRGD	SCK9/CTS9#/RTS9#/ SS9#	IRQ0		ADST0
2	EMLE							
3	VSS							
4	UB	P00	A11	MTIOC9A/MTIOC9A#/ CACREF	RXD9/SMISO9/SSCL9/ RXD12/SMISO12/ SSCL12/RXDX12	IRQ2		ADST1/ COMP0
5	VCL							
6	MD/FINED							
7		P01	A10	MTIOC9C/MTIOC9C#/ GTETRGA/GTETRGB/ GTETRGD/GTETRGD/ POE12#	TXD9/SMOSI9/SSDA9/ TXD12/SMOSI12/ SSDA12/TXDX12/ SIOX12	IRQ4		ADST2/ COMP1
8		PE4	A9	MTCLKC/MTCLKC#/ GTETRGA/GTETRGB/ GTETRGD/GTETRGD/ POE10#	SCK9	IRQ1		
9		PE3	A8	MTCLKD/MTCLKD#/ GTETRGA/GTETRGB/ GTETRGD/GTETRGD/ POE11#	CTS9#/RTS9#/SS9#	IRQ2_DS		
10	RES#							
11	XTAL	P37						
12	VSS							
13	EXTAL	P36						
14	VCC							
15		PE2		POE10#		NMI		
16		PE1	WR0#/WR#	MTIOC9D/MTIOC9D#/ TMO5	CTS5#/RTS5#/SS5#/ CTS12#/RTS12#/ SS12#/SSLA3	IRQ15		
17		PE0	WR1#/BC1#/ WAIT#	MTIOC9B/MTIOC9B#/ TMC11/TMC15	RXD5/SMISO5/SSCL5/ SSLA2/CRX0	IRQ7		
18	TRST#	PD7		MTIOC9A/MTIOC9A#/ GTIOC0A/GTIOC3A/ GTIOC0A#/GTIOC3A#/ TMR11/TMR15	TXD5/SMOSI5/SSDA5/ SSLA1/CTX0	IRQ8		
19	TMS	PD6		MTIOC9C/MTIOC9C#/ GTIOC0B/GTIOC3B/ GTIOC0B#/GTIOC3B#/ TMO1	CTS1#/RTS1#/SS1#/ CTS11#/RTS11#/ SS11#/SSLA0	IRQ5		ADST0
20	TDI	PD5		GTIOC1A/GTETRGA/ GTIOC1A#/TMR10/ TMR16	RXD1/SMISO1/SSCL1/ RXD11/SMISO11/ SSCL11	IRQ6		
21	TCK	PD4		GTIOC1B/GTETRGB/ GTIOC1B#/TMC10/ TMC16	SCK1/SCK11	IRQ2		
22	TDO	PD3		GTIOC2A/GTETRGD/ GTIOC2A#/TMO0	TXD1/SMOSI1/SSDA1/ TXD11/SMOSI11/ SSDA11			
23	TRCLK	PD2	A7	GTIOC2B/GTIOC0A/ GTIOC2B#/GTIOC0A#/ TMC11/TMO4	SCK5/SCK8/MOSIA			
24	TRDATA3	PD1	A6	GTIOC3A/GTIOC0B/ GTIOC3A#/GTIOC0B#/ TMO2	RXD8/SMISO8/SSCL8/ MISOA			
25	TRDATA2	PD0	A5	GTIOC3B/GTIOC1A/ GTIOC3B#/GTIOC1A#/ TMO6	TXD8/SMOSI8/SSDA8/ RSPCKA			
26	TRDATA1	PB7	A4	GTIOC1B/GTIOC1B#	SCK5/SCK11/SCK12			

Table 1.9 List of Pin and Pin Functions (100-pin without PGA pseudo-differential input and without USB pin) (2/5)

Pin Number 100-Pin LFQFP	Power Supply Clock System Control	I/O Port	Bus	Timer (MTU, GPTW, TMR, POE, POEG, CAC)	Communications (SCI, RSPI, RIIC, CAN)	Interrupt (IRQ, NMI)	Analog	Others
27	TRDATA0	PB6	A3	GTIOC2A/GTIOC2A#	RXD5/SMISO5/SSCL5/ RXD11/SMISO11/ SSCL11/RXD12/ SMISO12/SSCL12/ RXDX12/CRX0	IRQ2		
28	TRSYNC	PB5	A2	GTIOC2B/GTIOC2B#	TXD5/SMOSI5/SSDA5/ TXD11/SMOSI11/ SSDA11/TXD12/ SMOSI12/SSDA12/ TXDX12/SIOX12/CTX0			
29	VCC							
30		PB4	A1	GTETRGA/GTETRGB/ GTETRGD/GTETRGC/ POE8#	CTS5#/RTS5#/SS5#/ SCK11/CTS11#/ RTS11#/SS11#	IRQ3_DS		
31	VSS							
32		PB3	A7*1	MTIOC0A/MTIOC0A#/ CACREF	SCK6/RSPCKA	IRQ9		
33		PB2	A6*1	MTIOC0B/MTIOC0B#/ GTADSM0/TMRI0	TXD6/SMOSI6/SSDA6/ SDA			ADSM0
34		PB1	A5*1	MTIOC0C/MTIOC0C#/ GTADSM1/TMCI0	RXD6/SMISO6/SSCL6/ SCL	IRQ4		ADSM1
35		PB0	A0/A4*1/BC0#	MTIOC0D/MTIOC0D#/ TMO0	TXD6/SMOSI6/SSDA6/ CTS11#/RTS11#/ SS11#/MOSIA	IRQ8		ADTRG2#
36		PA5	A3*1	MTIOC1A/MTIOC1A#/ TMCI3	RXD6/SMISO6/SSCL6/ RXD8/SMISO8/SSCL8/ MISOA	IRQ1		ADTRG1#
37		PA4	A2*1	MTIOC1B/MTIOC1B#/ TMCI7	SCK6/TXD8/SMOSI8/ SSDA8/RSPCKA			ADTRG0#
38		PA3	A1*1	MTIOC2A/MTIOC2A#/ GTADSM0/TMRI7	TXD9/SMOSI9/SSDA9/ SCK8/SSLA0			
39		PA2	A0/BC0#	MTIOC2B/MTIOC2B#/ GTADSM1/TMO7	CTS6#/RTS6#/SS6#/ RXD9/SMISO9/SSCL9/ SCK11*/SSLA1			
40		PA1		MTIOC6A/MTIOC6A#/ TMO4	TXD9/SMOSI9/SSDA9/ RXD11/SMISO11/ SSCL11/SSLA2/CRX0	IRQ14_DS		ADTRG0#
41		PA0		MTIOC6C/MTIOC6C#/ TMO2	SCK9/TXD11/SMOSI11/ SSDA11/SSLA3/CTX0			
42	VCC							
43		P96	CS0#/WAIT#	GTETRGA/GTETRGB/ GTETRGD/GTETRGC/ POE4#	CTS8#/RTS8#/SS8#	IRQ4_DS		
44	VSS							
45		P95		MTIOC6B/MTIOC6B#/ GTIOC4A/GTIOC7A/ GTIOC4A#GTIOC7A#				
46		P94		MTIOC7A/MTIOC7A#/ GTIOC5A/GTIOC8A/ GTIOC5A#GTIOC8A#				
47		P93		MTIOC7B/MTIOC7B#/ GTIOC6A/GTIOC9A/ GTIOC6A#GTIOC9A#				
48		P92		MTIOC6D/MTIOC6D#/ GTIOC4B/GTIOC7B/ GTIOC4B#GTIOC7B#				
49		P91		MTIOC7C/MTIOC7C#/ GTIOC5B/GTIOC8B/ GTIOC5B#GTIOC8B#				
50		P90		MTIOC7D/MTIOC7D#/ GTIOC6B/GTIOC9B/ GTIOC6B#GTIOC9B#				

**Table 1.9 List of Pin and Pin Functions (100-pin without PGA pseudo-differential input and without USB pin) (3/5)**

Pin Number 100-Pin LFQFP	Power Supply Clock System Control	I/O Port	Bus	Timer (MTU, GPTW, TMR, POE, POEG, CAC)	Communications (SCI, RSPI, RIIC, CAN)	Interrupt (IRQ, NMI)	Analog	Others
51		P76	D0 [A0/D0]	MTIOC4D/MTIOC4D#/ GTIOC2B/GTIOC6B/ GTIOC2B#/GTIOC6B#				
52		P75	D1 [A1/D1]	MTIOC4C/MTIOC4C#/ GTIOC1B/GTIOC5B/ GTIOC1B#/GTIOC5B#				
53		P74	D2 [A2/D2]	MTIOC3D/MTIOC3D#/ GTIOC0B/GTIOC4B/ GTIOC0B#/GTIOC4B#				
54		P73	D3 [A3/D3]	MTIOC4B/MTIOC4B#/ GTIOC2A/GTIOC6A/ GTIOC2A#/GTIOC6A#				
55		P72	D4 [A4/D4]	MTIOC4A/MTIOC4A#/ GTIOC1A/GTIOC5A/ GTIOC1A#/GTIOC5A#				
56		P71	D5 [A5/D5]	MTIOC3B/MTIOC3B#/ GTIOC0A/GTIOC4A/ GTIOC0A#/GTIOC4A#				
57		P70	D6 [A6/D6]	GTETRGA/GTETRGB/ GTETRC/GTETRGD/ POE0#	CTS9#/RTS9#/SS9#	IRQ5_DS		
58		P33	D7 [A7/D7]	MTIOC3A/MTCLKA/ MTIOC3A#/MTCLKA#/ GTIOC3B/GTIOC3B#/ TMO0	SSLA3	IRQ13_DS		
59		P32	D8 [A8/D8]	MTIOC3C/MTCLKB/ MTIOC3C#/MTCLKB#/ GTIOC3A/GTIOC3A#/ TMO6	SSLA2	IRQ12_DS		
60	VCC							
61		P31	D9 [A9/D9]	MTIOC0A/MTCLKC/ MTIOC0A#/MTCLKC#/ TMR16	SSLA1	IRQ6		
62	VSS							
63		P30	D10 [A10/D10]	MTIOC0B/MTCLKD/ MTIOC0B#/MTCLKD#/ TMC16	SCK8/CTS8#/RTS8#/ SS8#/SSLA0	IRQ7		COMP3
64		P24	D11 [A11/D11]	MTIC5U/MTIC5U#/ TMC12/TMO6	CTS8#/RTS8#/SS8#/ SCK8/RSPCKA	IRQ4		COMP0
65		P23	D12 [A12/D12]	MTIC5V/MTIC5V#/ TMO2/CACREF	TXD8/SMOSI8/SSDA8/ TXD12/SMOSI12/ SSDA12/TXD12/ SIOX12/MOSIA/CTX0	IRQ11		COMP1
66		P22	D13 [A13/D13]	MTIC5W/MTCLKD/ MTIC5W#/MTCLKD#/ MTIOC9B/TMR12/ TMO4	RXD8/SMISO8/SSCL8/ RXD12/SMISO12/ SSCL12/RXD12/ MISOA/CRX0	IRQ10		ADTRG2#/ COMP2
67		P21	D14 [A14/D14]	MTIOC9A/MTCLKA/ MTIOC9A#/MTCLKA#/ TMC14	TXD8/SMOSI8/SSDA8/ TXD12/SMOSI12/ SSDA12/TXD12/ SIOX12/MOSIA	IRQ6_DS	AN217	ADTRG1#/ COMP5
68		P20	D15 [A15/D15]	MTIOC9C/MTCLKB/ MTIOC9C#/MTCLKB#/ TMR14	CTS8#/RTS8#/SS8#/ SCK8/RSPCKA	IRQ7_DS	AN216	ADTRG0#/ COMP4
69		P65	A12			IRQ9	AN211/ CMPC53/ DA1	
70		P64	A13			IRQ8	AN210/ CMPC33/ DA0	
71	AVCC2							
72	AVCC2							
73	AVSS2							

Table 1.9 List of Pin and Pin Functions (100-pin without PGA pseudo-differential input and without USB pin) (4/5)

Pin Number 100-Pin LFQFP	Power Supply Clock System Control	I/O Port	Bus	Timer (MTU, GPTW, TMR, POE, POEG, CAC)	Communications (SCI, RSPI, RIIC, CAN)	Interrupt (IRQ, NMI)	Analog	Others
74		P63	A12*1/A14			IRQ7	AN209/ CMPC23	
75		P62	A13*1/A15			IRQ6	AN208/ CMPC43	
76		P61	A14*1/A16			IRQ5	AN207/ CMPC13	
77		P60	A15*1/A17			IRQ4	AN206/ CMPC03	
78		P55	A16*1/A18			IRQ3	AN203/ CMPC32	
79		P54	A17*1/A19			IRQ2	AN202/ CMPC22	
80		P53	A18*1/A20			IRQ1	AN201/ CMPC12	
81		P52				IRQ0	AN200/ CMPC02	
82		P51					AN205/ CMPC52	
83		P50					AN204/ CMPC42	
84		P47					AN103	
85		P46					AN102/ CMPC50/ CMPC51	
86		P45					AN101/ CMPC40/ CMPC41	
87		P44					AN100/ CMPC30/ CMPC31	
88		P43					AN003	
89		P42					AN002/ CMPC20/ CMPC21	
90		P41					AN001/ CMPC10/ CMPC11	
91		P40					AN000/ CMPC00/ CMPC01	
92	AVCC1							
93	AVCC0							
94	AVSS0							
95	AVSS1							
96		P82	ALE/WAIT#	MTIC5U/MTIC5U#/ TMO4	SCK6/SCK12	IRQ3		COMP5
97		P81	CS2#	MTIC5V/MTIC5V#/ TMC14	TXD6/SMOSI6/SSDA6/ TXD12/SMOSI12/ SSDA12/TXDX12/ SIOX12			COMP4
98		P80	CS1#	MTIC5W/MTIC5W#/ TMR14	RXD6/SMISO6/SSCL6/ RXD12/SMISO12/ SSCL12/RXDX12	IRQ5		COMP3
99		P11	RD#	MTIOC3A/MTCLKC/ MTIOC3A#/MTCLKC#/ MTIOC9D/GTIOC3B/ GTETRGA/GTIOC3B#/ GTETRGC/TMO3/ POE9#		IRQ1_DS		

**Table 1.9 List of Pin and Pin Functions (100-pin without PGA pseudo-differential input and without USB pin) (5/5)**

Pin Number 100-Pin LFQFP	Power Supply Clock System Control	I/O Port	Bus	Timer (MTU, GPTW, TMR, POE, POEG, CAC)	Communications (SCI, RSPI, RIIC, CAN)	Interrupt (IRQ, NMI)	Analog	Others
100		P10		MTIOC9B/MTCLKD/ MTIOC9B#/MTCLKD#/ GTETRGB/GTETRGD/ TMRI3/POE12#	CTS6#/RTS6#/SS6#	IRQ0_DS		

Note 1. These pins are only enabled for products with 128 Kbytes of RAM.

**Table 1.10 List of Pin and Pin Functions (80-pin with PGA pseudo-differential input and without USB pin) (1/5)**

Pin Number	Power Supply Clock System Control	I/O Port	Timer (MTU, GPTW, TMR, POE, POEG, CAC)	Communications (SCI, RSPI, RIIC, CAN)	Interrupt (IRQ, NMI)	Analog	Others
1	EMLE						
2	VSS						
3	UB	P00	MTIOC9A/ MTIOC9A#/ CACREF	RXD9/SMISO9/SSCL9/ RXD12/SMISO12/ SSCL12/RXD12	IRQ2		ADST1/ COMP0
4	VCL						
5	MD/FINED						
6		P01	MTIOC9C/ MTIOC9C#/ GTETRGA/ GTETRGB/ GTETRGC/ GTETRGD/ POE12#	TXD9/SMOSI9/SSDA9/ TXD12/SMOSI12/ SSDA12/TXD12/ SIOX12	IRQ4		ADST2/ COMP1
7		PE4	MTCLKC/ MTCLKC#/ GTETRGA/ GTETRGB/ GTETRGC/ GTETRGD/ POE10#	SCK9	IRQ1		
8		PE3	MTCLKD/ MTCLKD#/ GTETRGA/ GTETRGB/ GTETRGC/ GTETRGD/ POE11#	CTS9#/RTS9#/SS9#	IRQ2_DS		
9	RES#						
10	XTAL	P37					
11	VSS						
12	EXTAL	P36					
13	VCC						
14		PE2	POE10#		NMI		
15	TRST#	PD7	MTIOC9A/ MTIOC9A#/ GTIOC0A/ GTIOC3A/ GTIOC0A#/ GTIOC3A#/ TMR11/TMRI5	TXD5/SMOSI5/SSDA5/ SSLA1/CTX0	IRQ8		
16	TMS	PD6	MTIOC9C/ MTIOC9C#/ GTIOC0B/ GTIOC3B/ GTIOC0B#/ GTIOC3B#/ TMO1	CTS1#/RTS1#/SS1#/ CTS11#/RTS11#/SS11#/ SSLA0	IRQ5		ADST0
17	TDI	PD5	GTIOC1A/ GTETRGA/ GTIOC1A#/ TMRI0/TMRI6	RXD1/SMISO1/SSCL1/ RXD11/SMISO11/SSCL11	IRQ6		
18	TCK	PD4	GTIOC1B/ GTETRGB/ GTIOC1B#/ TMCI0/TMCI6	SCK1/SCK11	IRQ2		
19	TDO	PD3	GTIOC2A/ GTETRGC/ GTIOC2A#/ TMO0	TXD1/SMOSI1/SSDA1/ TXD11/SMOSI11/SSDA11			

**Table 1.10 List of Pin and Pin Functions (80-pin with PGA pseudo-differential input and without USB pin) (2/5)**

Pin Number	Power Supply Clock System Control	I/O Port	Timer (MTU, GPTW, TMR, POE, POEG, CAC)	Communications (SCI, RSPI, RIIC, CAN)	Interrupt (IRQ, NMI)	Analog	Others
20		PD2	GTIOC2B/ GTIOC0A/ GTIOC2B#/ GTIOC0A#/ TMC11/TMO4	SCK5/SCK8/MOSIA			
21		PB6	GTIOC2A/ GTIOC2A#	RXD5/SMISO5/SSCL5/ RXD11/SMISO11/ SSCL11/RXD12/ SMISO12/SSCL12/ RXDX12/CRX0	IRQ2		
22		PB5	GTIOC2B/ GTIOC2B#	TXD5/SMOSI5/SSDA5/ TXD11/SMOSI11/ SSDA11/TXD12/ SMOSI12/SSDA12/ TXDX12/SIOX12/CTX0			
23	VCC						
24		PB4	GTETRG A/ GTETRG B/ GTETRG C/ GTETRG D/ POE8#	CTS5#/RTS5#/SS5#/ SCK11/CTS11#/RTS11#/ SS11#	IRQ3_DS		
25	VSS						
26		PB3	MTIOC0A/ MTIOC0A#/ CACREF	SCK6/RSPCKA	IRQ9		
27		PB2	MTIOC0B/ MTIOC0B#/ GTADSM0/ TMRI0	TXD6/SMOSI6/SSDA6/ SDA			ADSM0
28		PB1	MTIOC0C/ MTIOC0C#/ GTADSM1/ TMC10	RXD6/SMISO6/SSCL6/ SCL	IRQ4		ADSM1
29		PB0	MTIOC0D/ MTIOC0D#/ TMO0	TXD6/SMOSI6/SSDA6/ CTS11#/RTS11#/SS11#/ MOSIA	IRQ8		ADTRG2#
30		PA5	MTIOC1A/ MTIOC1A#/ TMC13	RXD6/SMISO6/SSCL6/ RXD8/SMISO8/SSCL8/ MISOA	IRQ1		ADTRG1#
31		PA3	MTIOC2A/ MTIOC2A#/ GTADSM0/ TMRI7	TXD9/SMOSI9/SSDA9/ SCK8/SSLA0			
32	VCC						
33		P96	GTETRG A/ GTETRG B/ GTETRG C/ GTETRG D/ POE4#	CTS8#/RTS8#/SS8#	IRQ4_DS		
34	VSS						
35		P95	MTIOC6B/ MTIOC6B#/ GTIOC4A/ GTIOC7A/ GTIOC4A#/ GTIOC7A#				
36		P94	MTIOC7A/ MTIOC7A#/ GTIOC5A/ GTIOC8A/ GTIOC5A#/ GTIOC8A#				

**Table 1.10 List of Pin and Pin Functions (80-pin with PGA pseudo-differential input and without USB pin) (3/5)**

Pin Number	Power Supply Clock System Control	I/O Port	Timer (MTU, GPTW, TMR, POE, POEG, CAC)	Communications (SCI, RSPI, RIIC, CAN)	Interrupt (IRQ, NMI)	Analog	Others
37		P93	MTIOC7B/ MTIOC7B#/ GTIOC6A/ GTIOC9A/ GTIOC6A#/ GTIOC9A#				
38		P92	MTIOC6D/ MTIOC6D#/ GTIOC4B/ GTIOC7B/ GTIOC4B#/ GTIOC7B#				
39		P91	MTIOC7C/ MTIOC7C#/ GTIOC5B/ GTIOC8B/ GTIOC5B#/ GTIOC8B#				
40		P90	MTIOC7D/ MTIOC7D#/ GTIOC6B/ GTIOC9B/ GTIOC6B#/ GTIOC9B#				
41		P76	MTIOC4D/ MTIOC4D#/ GTIOC2B/ GTIOC6B/ GTIOC2B#/ GTIOC6B#				
42		P75	MTIOC4C/ MTIOC4C#/ GTIOC1B/ GTIOC5B/ GTIOC1B#/ GTIOC5B#				
43		P74	MTIOC3D/ MTIOC3D#/ GTIOC0B/ GTIOC4B/ GTIOC0B#/ GTIOC4B#				
44		P73	MTIOC4B/ MTIOC4B#/ GTIOC2A/ GTIOC6A/ GTIOC2A#/ GTIOC6A#				
45		P72	MTIOC4A/ MTIOC4A#/ GTIOC1A/ GTIOC5A/ GTIOC1A#/ GTIOC5A#				
46		P71	MTIOC3B/ MTIOC3B#/ GTIOC0A/ GTIOC4A/ GTIOC0A#/ GTIOC4A#				
47		P70	GTETRGA/ GTETRGB/ GTETRGC/ GTETRGD/ POE0#	CTS9#/RTS9#/SS9#	IRQ5_DS		
48	VCC						



**Table 1.10 List of Pin and Pin Functions (80-pin with PGA pseudo-differential input and without USB pin) (4/5)**

Pin Number	Power Supply Clock System Control	I/O Port	Timer (MTU, GPTW, TMR, POE, POEG, CAC)	Communications (SCI, RSPI, RIIC, CAN)	Interrupt (IRQ, NMI)	Analog	Others
49		P31	MTIOC0A/ MTCLKC/ MTIOC0A#/ MTCLKC#/ TMR16	SSLA1	IRQ6		
50	VSS						
51		P30	MTIOC0B/ MTCLKD/ MTIOC0B#/ MTCLKD#/ TMC16	SCK8/CTS8#/RTS8#/ SS8#/SSLA0	IRQ7		COMP3
52		P27	MTIOC1A/ MTIOC0C/ MTIOC1A#/ MTIOC0C#/ POE9#		IRQ15		
53		P22	MTIC5W/ MTCLKD/ MTIC5W#/ MTCLKD#/ MTIOC9B/ TMR12/TMO4	RXD8/SMISO8/SSCL8/ RXD12/SMISO12/ SSCL12/RXD12/ MISOA/CRX0	IRQ10		ADTRG2#/ COMP2
54		P21	MTIOC9A/ MTCLKA/ MTIOC9A#/ MTCLKA#/ TMC14	TXD8/SMOSI8/SSDA8/ TXD12/SMOSI12/ SSDA12/TXD12/ SIOX12/MOSIA	IRQ6_DS	AN217	ADTRG1#/ COMP5
55		P20	MTIOC9C/ MTCLKB/ MTIOC9C#/ MTCLKB#/ TMR14	CTS8#/RTS8#/SS8#/ SCK8/RSPCKA	IRQ7_DS	AN216	ADTRG0#/ COMP4
56		P65			IRQ9	AN211/CMPC53/ DA1	
57		P64			IRQ8	AN210/CMPC33/ DA0	
58	AVCC2						
59	AVSS2						
60		P62			IRQ6	AN208/CMPC43	
61		P55			IRQ3	AN203/CMPC32	
62		P54			IRQ2	AN202/CMPC22	
63		P53			IRQ1	AN201/CMPC12	
64		P52			IRQ0	AN200/CMPC02	
65		P47				AN103	
66		P46				AN102/CMPC50/ CMPC51	
67		P45				AN101/CMPC40/ CMPC41	
68		P44				AN100/CMPC30/ CMPC31	
69		PH4				AN107/PGAVSS1	
70		P43				AN003	
71		P42				AN002/CMPC20/ CMPC21	
72		P41				AN001/CMPC10/ CMPC11	
73		P40				AN000/CMPC00/ CMPC01	
74		PH0				AN007/PGAVSS0	

**Table 1.10 List of Pin and Pin Functions (80-pin with PGA pseudo-differential input and without USB pin) (5/5)**

Pin Number 80-Pin LQFP 80-Pin LFQFP	Power Supply Clock System Control	I/O Port	Timer (MTU, GPTW, TMR, POE, POEG, CAC)	Communications (SCI, RSPI, RIIC, CAN)	Interrupt (IRQ, NMI)	Analog	Others
75	AVCC1						
76	AVCC0						
77	AVSS0						
78	AVSS1						
79		P11	MTIOC3A/ MTCLKC/ MTIOC3A#/ MTCLKC#/ MTIOC9D/ GTIOC3B/ GTETRGA/ GTIOC3B#/ GTETRGC/ TMO3/POE9#		IRQ1_DS		
80		P10	MTIOC9B/ MTCLKD/ MTIOC9B#/ MTCLKD#/ GTETRGB/ GTETRGD/ TMR13/POE12#	CTS6#/RTS6#/SS6#	IRQ0_DS		

**Table 1.11 List of Pin and Pin Functions (64-pin with PGA pseudo-differential input and without USB pin) (1/4)**

Pin Number	Power Supply Clock System Control	I/O Port	Timer (MTU, GPTW, TMR, POE, POEG, CAC)	Communications (SCI, RSPI, RIIC, CAN)	Interrupt (IRQ, NMI)	Analog	Others
1	EMLE						
2	UB	P00	MTIOC9A/ MTIOC9A#/ CACREF	RXD9/SMISO9/SSCL9/ RXD12/SMISO12/ SSCL12/RXD12	IRQ2		ADST1/ COMP0
3	VCL						
4	MD/FINED						
5		P01	MTIOC9C/ MTIOC9C#/ GTETRGA/ GTETRGA#/ GTETRGC/ GTETRGC#/ GTETRGD/ GTETRGD#/ POE12#	TXD9/SMOSI9/SSDA9/ TXD12/SMOSI12/ SSDA12/TXD12/ SIOX12	IRQ4		ADST2/ COMP1
6	RES#						
7	XTAL	P37					
8	VSS						
9	EXTAL	P36					
10	VCC						
11		PE2	POE10#		NMI		
12	TRST#	PD7	MTIOC9A/ MTIOC9A#/ GTIOC0A/ GTIOC0A#/ GTIOC3A/ GTIOC3A#/ TMRI1/TMRI5	TXD5/SMOSI5/SSDA5/ SSLA1/CTX0	IRQ8		
13	TMS	PD6	MTIOC9C/ MTIOC9C#/ GTIOC0B/ GTIOC0B#/ GTIOC3B/ GTIOC3B#/ TMO1	CTS1#/RTS1#/SS1#/ CTS11#/RTS11#/SS11#/ SSLA0	IRQ5		ADST0
14	TDI	PD5	GTIOC1A/ GTETRGA/ GTIOC1A#/ TMRI0/TMRI6	RXD1/SMISO1/SSCL1/ RXD11/SMISO11/SSCL11	IRQ6		
15	TCK	PD4	GTIOC1B/ GTETRGA/ GTIOC1B#/ TMCI0/TMCI6	SCK1/SCK11	IRQ2		
16	TDO	PD3	GTIOC2A/ GTETRGC/ GTIOC2A#/ TMO0	TXD1/SMOSI1/SSDA1/ TXD11/SMOSI11/SSDA11			
17		PB6	GTIOC2A/ GTIOC2A#	RXD5/SMISO5/SSCL5/ RXD11/SMISO11/ SSCL11/RXD12/ SMISO12/SSCL12/ RXD12/CRX0	IRQ2		
18		PB5	GTIOC2B/ GTIOC2B#	TXD5/SMOSI5/SSDA5/ TXD11/SMOSI11/ SSDA11/TXD12/ SMOSI12/SSDA12/ TXD12/SIOX12/CTX0			
19		PB4	GTETRGA/ GTETRGA#/ GTETRGC/ GTETRGC#/ GTETRGD/ GTETRGD#/ POE8#	CTS5#/RTS5#/SS5#/ SCK11/CTS11#/RTS11#/ SS11#	IRQ3_DS		
20		PB3	MTIOC0A/ MTIOC0A#/ CACREF	SCK6/RSPCKA	IRQ9		

**Table 1.11 List of Pin and Pin Functions (64-pin with PGA pseudo-differential input and without USB pin) (2/4)**

Pin Number	Power Supply Clock System Control	I/O Port	Timer (MTU, GPTW, TMR, POE, POEG, CAC)	Communications (SCI, RSPI, RIIC, CAN)	Interrupt (IRQ, NMI)	Analog	Others
21		PB2	MTIOC0B/ MTIOC0B#/ GTADSM0/ TMR10	TXD6/SMOSI6/SSDA6/ SDA			ADSM0
22		PB1	MTIOC0C/ MTIOC0C#/ GTADSM1/ TMC10	RXD6/SMISO6/SSCL6/ SCL	IRQ4		ADSM1
23		PB0	MTIOC0D/ MTIOC0D#/ TMO0	TXD6/SMOSI6/SSDA6/ CTS11#/RTS11#/SS11#/ MOSIA	IRQ8		ADTRG2#
24	VCC						
25		P96	GTETRGA/ GTETRGB/ GTETRGD/ GTETRGC/ POE4#	CTS8#/RTS8#/SS8#	IRQ4_DS		
26	VSS						
27		P95	MTIOC6B/ MTIOC6B#/ GTIOC4A/ GTIOC7A/ GTIOC4A#/ GTIOC7A#				
28		P94	MTIOC7A/ MTIOC7A#/ GTIOC5A/ GTIOC8A/ GTIOC5A#/ GTIOC8A#				
29		P93	MTIOC7B/ MTIOC7B#/ GTIOC6A/ GTIOC9A/ GTIOC6A#/ GTIOC9A#				
30		P92	MTIOC6D/ MTIOC6D#/ GTIOC4B/ GTIOC7B/ GTIOC4B#/ GTIOC7B#				
31		P91	MTIOC7C/ MTIOC7C#/ GTIOC5B/ GTIOC8B/ GTIOC5B#/ GTIOC8B#				
32		P90	MTIOC7D/ MTIOC7D#/ GTIOC6B/ GTIOC9B/ GTIOC6B#/ GTIOC9B#				
33		P76	MTIOC4D/ MTIOC4D#/ GTIOC2B/ GTIOC6B/ GTIOC2B#/ GTIOC6B#				
34		P75	MTIOC4C/ MTIOC4C#/ GTIOC1B/ GTIOC5B/ GTIOC1B#/ GTIOC5B#				

**Table 1.11 List of Pin and Pin Functions (64-pin with PGA pseudo-differential input and without USB pin) (3/4)**

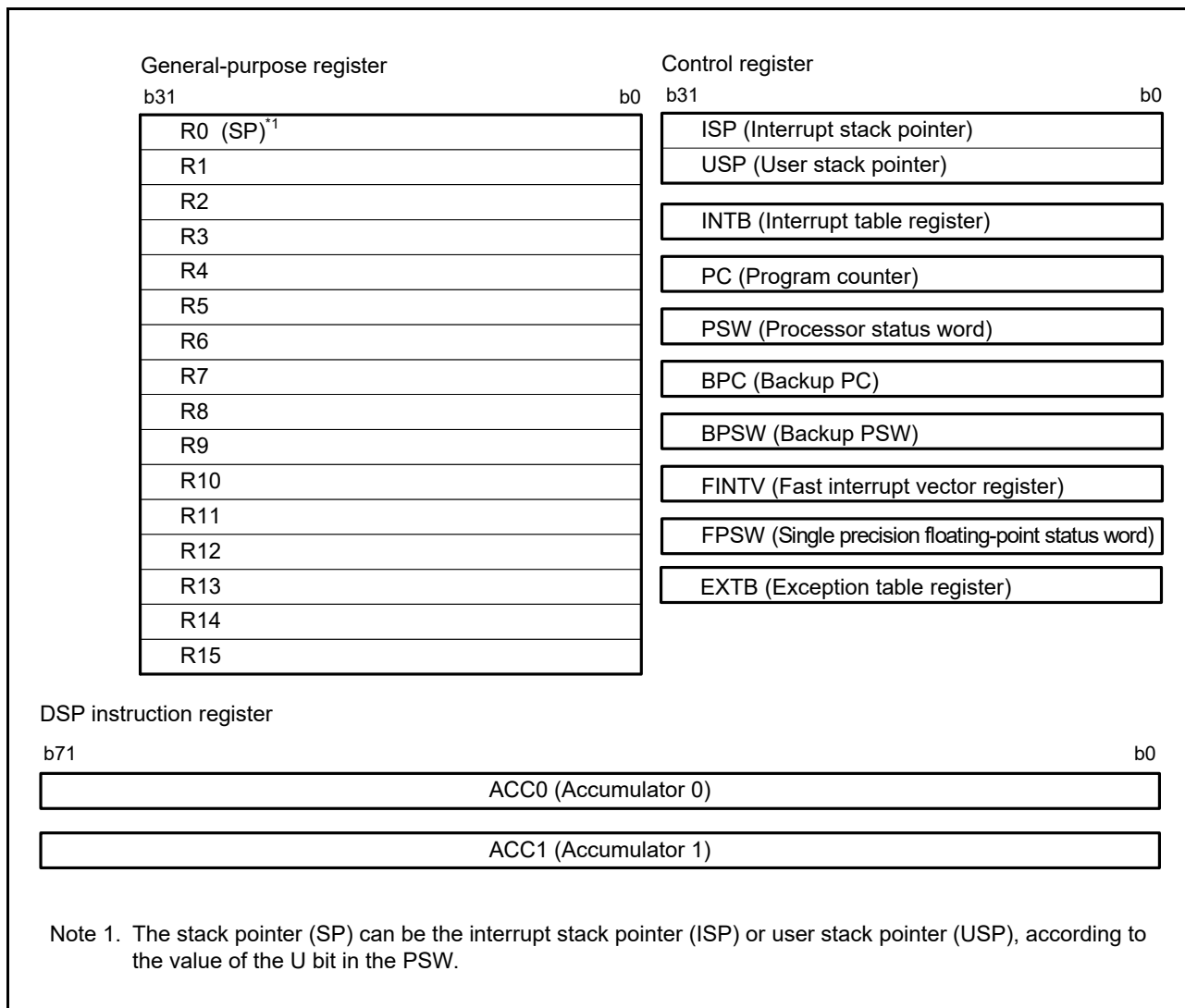
Pin Number	Power Supply Clock System Control	I/O Port	Timer (MTU, GPTW, TMR, POE, POEG, CAC)	Communications (SCI, RSPI, RIIC, CAN)	Interrupt (IRQ, NMI)	Analog	Others
35		P74	MTIOC3D/ MTIOC3D#/ GTIOC0B/ GTIOC4B/ GTIOC0B#/ GTIOC4B#				
36		P73	MTIOC4B/ MTIOC4B#/ GTIOC2A/ GTIOC6A/ GTIOC2A#/ GTIOC6A#				
37		P72	MTIOC4A/ MTIOC4A#/ GTIOC1A/ GTIOC5A/ GTIOC1A#/ GTIOC5A#				
38		P71	MTIOC3B/ MTIOC3B#/ GTIOC0A/ GTIOC4A/ GTIOC0A#/ GTIOC4A#				
39		P70	GTETRGA/ GTETRGB/ GTETRGC/ GTETRGD/ POE0#	CTS9#/RTS9#/SS9#	IRQ5_DS		
40	VCC						
41	VSS						
42		P22	MTIC5W/ MTCLKD/ MTIC5W#/ MTCLKD#/ MTIOC9B/ TMR12/TMO4	RXD8/SMISO8/SSCL8/ RXD12/SMISO12/ SSCL12/RXD12/ MISOA/CRX0	IRQ10		ADTRG2#/ COMP2
43		P21	MTIOC9A/ MTCLKA/ MTIOC9A#/ MTCLKA#/ TMCI4	TXD8/SMOSI8/SSDA8/ TXD12/SMOSI12/ SSDA12/TXD12/ SIOX12/MOSIA	IRQ6_DS	AN217	ADTRG1#/ COMP5
44		P20	MTIOC9C/ MTCLKB/ MTIOC9C#/ MTCLKB#/ TMR14	CTS8#/RTS8#/SS8#/ SCK8/RSPCKA	IRQ7_DS	AN216	ADTRG0#/ COMP4
45		P65			IRQ9	AN211/CMPC53/ DA1	
46		P64			IRQ8	AN210/CMPC33/ DA0	
47	AVCC2						
48	AVSS2						
49		P54			IRQ2	AN202/CMPC22	
50		P53			IRQ1	AN201/CMPC12	
51		P52			IRQ0	AN200/CMPC02	
52		P46				AN102/CMPC50/ CMPC51	
53		P45				AN101/CMPC40/ CMPC41	
54		P44				AN100/CMPC30/ CMPC31	
55		PH4				AN107/PGAVSS1	

**Table 1.11 List of Pin and Pin Functions (64-pin with PGA pseudo-differential input and without USB pin) (4/4)**

Pin Number	Power Supply Clock System Control	I/O Port	Timer (MTU, GPTW, TMR, POE, POEG, CAC)	Communications (SCI, RSPI, RIIC, CAN)	Interrupt (IRQ, NMI)	Analog	Others
56		P42				AN002/CMPC20/ CMPC21	
57		P41				AN001/CMPC10/ CMPC11	
58		P40				AN000/CMPC00/ CMPC01	
59		PH0				AN007/PGAVSS0	
60	AVCC1						
61	AVCC0						
62	AVSS0						
63	AVSS1						
64		P11	MTIOC3A/ MTCLKC/ MTIOC3A#/ MTCLKC#/ MTIOC9D/ GTIOC3B/ GTETRGA/ GTIOC3B#/ GTETRGC/ TMO3/POE9#		IRQ1_DS		

## 2. CPU

Figure 2.1 shows register set of the CPU.



**Figure 2.1 Register Set of the CPU**

## 2.1 General-Purpose Registers (R0 to R15)

This CPU has sixteen 32-bit general-purpose registers (R0 to R15). R0 to R15 can be used as data registers or address registers.

R0, a general-purpose register, also functions as the stack pointer (SP).

The stack pointer is switched to operate as the interrupt stack pointer (ISP) or user stack pointer (USP) by the value of the stack pointer select bit (U) in the processor status word (PSW).

## 2.2 Control Registers

### (1) Interrupt Stack Pointer (ISP) / User Stack Pointer (USP)

The stack pointer (SP) can be either of two types, the interrupt stack pointer (ISP) or the user stack pointer (USP). Whether the stack pointer operates as the ISP or USP depends on the value of the stack pointer select bit (U) in the processor status word (PSW).

### (2) Exception Table Register (EXTB)

The exception table register (EXTB) specifies the address where the exception vector table starts.

### (3) Interrupt Table Register (INTB)

The interrupt table register (INTB) specifies the address where the interrupt vector table starts.

### (4) Program Counter (PC)

The program counter (PC) indicates the address of the instruction being executed.

### (5) Processor Status Word (PSW)

The processor status word (PSW) indicates the results of instruction execution or the state of the CPU.

### (6) Backup PC (BPC)

The backup PC (BPC) is provided to speed up response to interrupts.

After a fast interrupt has been generated, the contents of the program counter (PC) are saved in the BPC register.

### (7) Backup PSW (BPSW)

The backup PSW (BPSW) is provided to speed up response to interrupts.

After a fast interrupt has been generated, the contents of the processor status word (PSW) are saved in the BPSW. The allocation of bits in the BPSW corresponds to that in the PSW.

### (8) Fast Interrupt Vector Register (FINTV)

The fast interrupt vector register (FINTV) is provided to speed up response to interrupts.

The FINTV register specifies a branch destination address when a fast interrupt has been generated.

### (9) Single-Precision Floating-Point Status Word (FPSW)

The single-precision floating-point status word (FPSW) indicates the results of single-precision floating-point operations.

When an exception handling enable bit (Ej) enables the exception handling (Ej = 1), the exception cause can be identified by checking the corresponding Cj flag in the exception handling routine. If the exception handling is masked (Ej = 0), the occurrence of exception can be checked by reading the Fj flag at the end of a series of processing. Once the Fj flag has been set to 1, this value is retained until it is set to 0 by software (j = X, U, Z, O, or V).



### 2.3 Accumulator

The accumulator (ACC0 or ACC1) is a 72-bit register used for DSP instructions. The accumulator is handled as a 96-bit register for reading and writing. At this time, when bits 95 to 72 of the accumulator are read, the value where the value of bit 71 is sign extended is read. Writing to bits 95 to 72 of the accumulator is ignored. ACC0 is also used for the multiply and multiply-and-accumulate instructions; EMUL, EMULU, FMUL, MUL, and RMPA, in which case the prior value in ACC0 is modified by execution of the instruction.

Use the MVTACGU, MVTACHI, and MVTACLO instructions for writing to the accumulator. The MVTACGU, MVTACHI, and MVTACLO instructions write data to bits 95 to 64, the higher-order 32 bits (bits 63 to 32), and the lower-order 32 bits (bits 31 to 0), respectively.

Use the MVFACGU, MVFACHI, MVFACMI, and MVFACLO instructions for reading data from the accumulator. The MVFACGU, MVFACHI, MVFACMI, and MVFACLO instructions read data from the guard bits (bits 95 to 64), higher-order 32 bits (bits 63 to 32), the middle 32 bits (bits 47 to 16), and the lower-order 32 bits (bits 31 to 0), respectively.

### 3. Address Space

#### 3.1 Address Space

This MCU has a 4-Gbyte address space, consisting of the range of addresses from 0000 0000h to FFFF FFFFh. That is, linear access to an address space of up to 4 Gbytes is possible, and this contains both program and data areas.

Figure 3.1 shows the memory maps in the respective operating modes. Accessible areas will differ according to the operating mode and states of control bits.

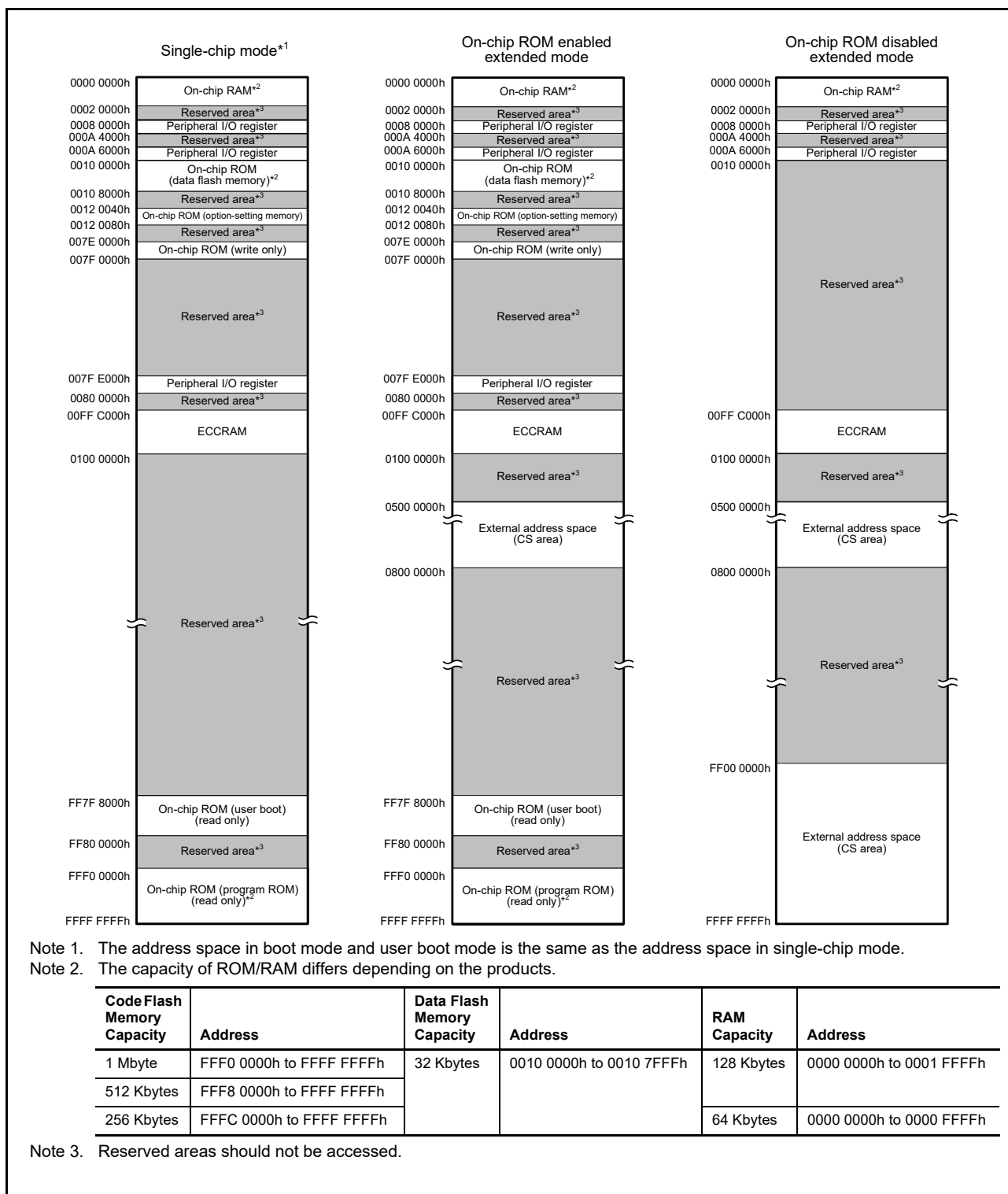
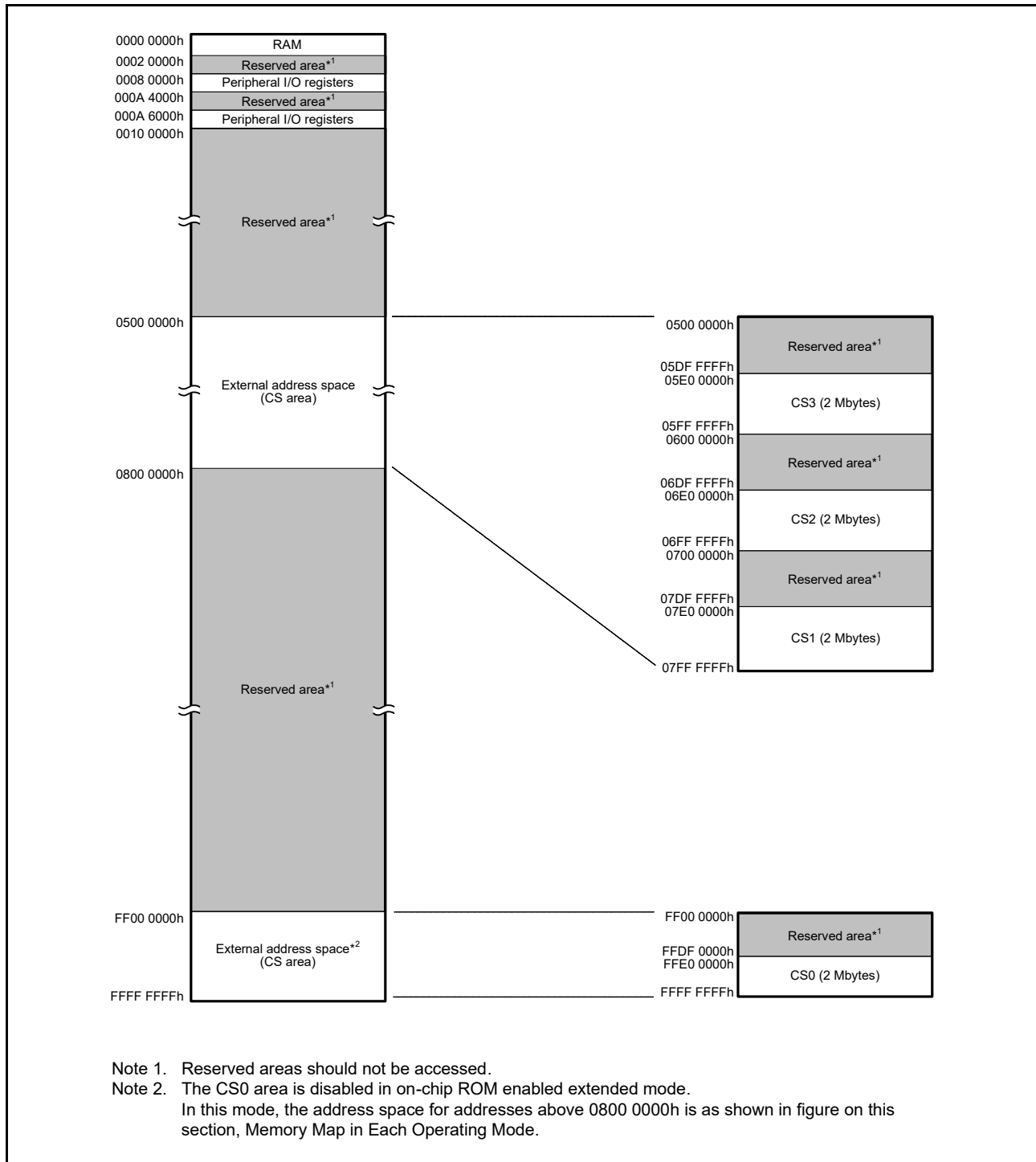


Figure 3.1 Memory Map in Each Operating Mode

### 3.2 External Address Space

The external address space is divided into up to four areas (CS0 to CS3), each corresponding to the CSn# signal output from a CSn# (n = 0 to 3) pin.

Figure 3.2 shows the address ranges corresponding to the individual CS areas (CS0 to CS3) in on-chip ROM disabled extended mode.



**Figure 3.2 Correspondence between External Address Spaces and CS Areas (In On-Chip ROM Disabled Extended Mode)**

## 4. I/O Registers

This section gives information on the on-chip I/O register addresses. The information is given as shown below. Notes on writing to registers are also given at the end.

### (1) I/O register addresses (address order)

- Registers are listed from the lower allocation addresses.
- Registers are classified according to module symbols.
- The number of access cycles indicates the number of cycles based on the specified reference clock.
- Among the internal I/O register area, addresses not listed in the list of registers are reserved. Reserved addresses must not be accessed. Do not access these addresses; otherwise, the operation when accessing these bits and subsequent operations cannot be guaranteed.

### (2) Notes on writing to I/O registers

When writing to an I/O register, the CPU starts executing the subsequent instruction before completing I/O register write. This may cause the subsequent instruction to be executed before the post-update I/O register value is reflected on the operation.

As described in the following examples, special care is required for the cases in which the subsequent instruction must be executed after the post-update I/O register value is actually reflected.

#### [Examples of cases requiring special care]

- The subsequent instruction must be executed while an interrupt request is disabled with the IENj bit in IERN of the ICU (interrupt request enable bit) set to 0.
- A WAIT instruction is executed immediately after the preprocessing for causing a transition to the low power consumption state.

In the above cases, after writing to an I/O register, wait until the write operation is completed using the following procedure and then execute the subsequent instruction.

- Write to an I/O register.
- Read the value from the I/O register to a general register.
- Execute the operation using the value read.
- Execute the subsequent instruction.

#### [Instruction examples]

- Byte-size I/O registers

```
MOV.L #SFR_ADDR, R1
MOV.B #SFR_DATA, [R1]
CMP [R1].UB, R1
;; Next process
```

- Word-size I/O registers

```
MOV.L #SFR_ADDR, R1
MOV.W #SFR_DATA, [R1]
CMP [R1].W, R1
;; Next process
```

- Longword-size I/O registers

```
MOV.L #SFR_ADDR, R1
MOV.L #SFR_DATA, [R1]
CMP [R1].L, R1
;; Next process
```

If multiple registers are written to and a subsequent instruction should be executed after the write operations are entirely completed, only read the I/O register that was last written to and execute the operation using the value; it is not necessary to read or execute operation for all the registers that were written to.

### (3) Number of Access Cycles to I/O Registers

For the number of I/O register access cycles, refer to Table 4.1, List of I/O Registers (Address Order).

The number of access cycles to I/O registers is obtained by following equation.\*1

Number of access cycles to I/O registers = Number of bus cycles for internal main bus 1 +  
 Number of divided clock synchronization cycles +  
 Number of bus cycles for internal peripheral busses 1 to 6

The number of bus cycles of internal peripheral bus 1 to 6 differs according to the register to be accessed. When peripheral functions connected to internal peripheral bus 2 to 6 or registers for the external bus control unit (except for bus error related registers) are accessed, the number of divided clock synchronization cycles is added.

The number of divided clock synchronization cycles differs depending on the frequency ratio between ICLK and PCLK (or FCLK, BCLK) or bus access timing.

In the peripheral function unit, when the frequency ratio of ICLK is equal to or greater than that of PCLK (or FCLK), the sum of the number of bus cycles for internal main bus 1 and the number of the divided clock synchronization cycles will be one cycle of PCLK (or FCLK) at a maximum. Therefore, one PCLK (or FCLK) has been added to the number of access states shown in Table 4.1.

When the frequency ratio of ICLK is lower than that of PCLK (or FCLK), the subsequent bus access is started from the ICLK cycle following the completion of the access to the peripheral functions. Therefore, the access cycles are described on an ICLK basis.

In the external bus control unit, the sum of the number of bus cycles for internal main bus 1 and the number of divided clock synchronization cycles will be one cycle of BCLK at a maximum. Therefore, one BCLK is added to the number of access cycles shown in Table 4.1.

Note 1. This applies to the number of cycles when the access from the CPU does not conflict with the instruction fetching to the external memory or bus access from the different bus master (DMAC or DTC).

### (4) Notes on Sleep Mode and Mode Transitions

During sleep mode or mode transitions, do not write to the registers related to system control (indicated by 'SYSTEM' in the Module Symbol column in Table 4.1, List of I/O Registers (Address Order)).

### (5) Restrictions in Relation to RMPA and String-Manipulation Instructions

The allocation of data to be handled by RMPA or string-manipulation instructions to I/O registers is prohibited, and operation is not guaranteed if this restriction is not observed.

## 4.1 I/O Register Addresses (Address Order)

Table 4.1 List of I/O Registers (Address Order) (1 / 56)

Address	Module Symbol	Register Name	Register Symbol	Number of Bits	Access Size	Number of Access Cycles		Related Function
						ICLK ≥ PCLK	ICLK < PCLK	
0008 0000h	SYSTEM	Mode Monitor Register	MDMONR	16	16	3 ICLK		Operating Modes
0008 0002h	SYSTEM	Mode Status Register	MDSR	16	16	3 ICLK		Operating Modes
0008 0006h	SYSTEM	System Control Register 0	SYSCR0	16	16	3 ICLK		Operating Modes
0008 0008h	SYSTEM	System Control Register 1	SYSCR1	16	16	3 ICLK		Operating Modes
0008 000Ch	SYSTEM	Standby Control Register	SBYCR	16	16	3 ICLK		Low Power Consumption
0008 0010h	SYSTEM	Module Stop Control Register A	MSTPCRA	32	32	3 ICLK		Low Power Consumption
0008 0014h	SYSTEM	Module Stop Control Register B	MSTPCRB	32	32	3 ICLK		Low Power Consumption
0008 0018h	SYSTEM	Module Stop Control Register C	MSTPCRC	32	32	3 ICLK		Low Power Consumption
0008 001Ch	SYSTEM	Module Stop Control Register D	MSTPCRD	32	32	3 ICLK		Low Power Consumption
0008 0020h	SYSTEM	System Clock Control Register	SCKCR	32	32	3 ICLK		Clock Generation Circuit
0008 0024h	SYSTEM	System Clock Control Register 2	SCKCR2	16	16	3 ICLK		Clock Generation Circuit
0008 0026h	SYSTEM	System Clock Control Register 3	SCKCR3	16	16	3 ICLK		Clock Generation Circuit
0008 0028h	SYSTEM	PLL Control Register	PLLCR	16	16	3 ICLK		Clock Generation Circuit
0008 002Ah	SYSTEM	PLL Control Register 2	PLLCR2	8	8	3 ICLK		Clock Generation Circuit
0008 0030h	SYSTEM	External Bus Clock Control Register	BCKCR	8	8	3 ICLK		Clock Generation Circuit
0008 0032h	SYSTEM	Main Clock Oscillator Control Register	MOSCCR	8	8	3 ICLK		Clock Generation Circuit
0008 0034h	SYSTEM	Low-Speed On-Chip Oscillator Control Register	LOCOCR	8	8	3 ICLK		Clock Generation Circuit
0008 0035h	SYSTEM	IWDT-Dedicated On-Chip Oscillator Control Register	ILOCOCR	8	8	3 ICLK		Clock Generation Circuit
0008 0036h	SYSTEM	High-Speed On-Chip Oscillator Control Register	HOCOOCR	8	8	3 ICLK		Clock Generation Circuit

**Table 4.1 List of I/O Registers (Address Order) (2 / 56)**

Address	Module Symbol	Register Name	Register Symbol	Number of Bits	Access Size	Number of Access Cycles		Related Function
						ICLK ≥ PCLK	ICLK < PCLK	
0008 0037h	SYSTEM	High-Speed On-Chip Oscillator Control Register 2	HOCOCR2	8	8	3 ICLK		Clock Generation Circuit
0008 003Ch	SYSTEM	Oscillation Stabilization Flag Register	OSCOVFSR	8	8	3 ICLK		Clock Generation Circuit
0008 0040h	SYSTEM	Oscillation Stop Detection Control Register	OSTDCR	8	8	3 ICLK		Clock Generation Circuit
0008 0041h	SYSTEM	Oscillation Stop Detection Status Register	OSTDSR	8	8	3 ICLK		Clock Generation Circuit
0008 00A1h	SYSTEM	Sleep Mode Return Clock Source Switching Register	RSTCKCR	8	8	3 ICLK		Low Power Consumption
0008 00A2h	SYSTEM	Main Clock Oscillator Wait Control Register	MOSCWTCR	8	8	3 ICLK		Clock Generation Circuit
0008 00C0h	SYSTEM	Reset Status Register 2	RSTSR2	8	8	3 ICLK		Resets
0008 00C2h	SYSTEM	Software Reset Register	SWRR	16	16	3 ICLK		Resets
0008 00E0h	SYSTEM	Voltage Monitoring 1 Circuit Control Register 1	LVD1CR1	8	8	3 ICLK		LVDA
0008 00E1h	SYSTEM	Voltage Monitoring 1 Circuit Status Register	LVD1SR	8	8	3 ICLK		LVDA
0008 00E2h	SYSTEM	Voltage Monitoring 2 Circuit Control Register 1	LVD2CR1	8	8	3 ICLK		LVDA
0008 00E3h	SYSTEM	Voltage Monitoring 2 Circuit Status Register	LVD2SR	8	8	3 ICLK		LVDA
0008 03FEh	SYSTEM	Protect Register	PRCR	16	16	3 ICLK		Register Write Protection Function
0008 1000h	FLASH	ROM Cache Enable Register	ROMCE	16	16	2 ICLK		Flash
0008 1004h	FLASH	ROM Cache Invalidate Register	ROMCIV	16	16	2 ICLK		Flash
0008 101Ch	SYSTEM	Memory Wait Cycle Setting Register	MEMWAIT	8	8	2 ICLK		Clock Generation Circuit
0008 1040h	FLASH	Non-Cacheable Area 0 Address Register	NCRG0	32	32	2 ICLK		Flash
0008 1044h	FLASH	Non-Cacheable Area 0 Setting Register	NCRC0	32	32	2 ICLK		Flash
0008 1048h	FLASH	Non-Cacheable Area 1 Address Register	NCRG1	32	32	2 ICLK		Flash
0008 104Ch	FLASH	Non-Cacheable Area 1 Setting Register	NCRC1	32	32	2 ICLK		Flash
0008 1200h	RAM	RAM Operating Mode Control Register	RAMMODE	8	8	2 ICLK		RAM
0008 1201h	RAM	RAM Error Status Register	RAMSTS	8	8	2 ICLK		RAM
0008 1204h	RAM	RAM Protection Register	RAMPSCR	8	8	2 ICLK		RAM
0008 1208h	RAM	RAM Error Address Capture Register	RAMECAD	32	32	2 ICLK		RAM
0008 12C0h	RAM	ECCRAM Operating Mode Control Register	ECCRAMMODE	8	8	2 ICLK		RAM
0008 12C1h	RAM	ECCRAM 2-Bit Error Status Register	ECCRAM2STS	8	8	2 ICLK		RAM

Table 4.1 List of I/O Registers (Address Order) (3 / 56)

Address	Module Symbol	Register Name	Register Symbol	Number of Bits	Access Size	Number of Access Cycles		Related Function
						ICLK ≥ PCLK	ICLK < PCLK	
0008 12C2h	RAM	ECCRAM 1-Bit Error Information Update Enable Register	ECCRAM1STSEN	8	8	2 ICLK		RAM
0008 12C3h	RAM	ECCRAM 1-Bit Error Status Register	ECCRAM1STS	8	8	2 ICLK		RAM
0008 12C4h	RAM	ECCRAM Protection Register	ECCRAMPRCR	8	8	2 ICLK		RAM
0008 12C8h	RAM	ECCRAM 2-Bit Error Address Capture Register	ECCRAM2ECAD	32	32	2 ICLK		RAM
0008 12CCh	RAM	ECCRAM 1-Bit Error Address Capture Register	ECCRAM1ECAD	32	32	2 ICLK		RAM
0008 12D0h	RAM	ECCRAM Protection Register 2	ECCRAMPRCR2	8	8	2 ICLK		RAM
0008 12D4h	RAM	ECCRAM Test Control Register	ECCRAMETS	8	8	2 ICLK		RAM
0008 1300h	BSC	Bus Error Status Clear Register	BERCLR	8	8	2 ICLK		Buses
0008 1304h	BSC	Bus Error Monitoring Enable Register	BEREN	8	8	2 ICLK		Buses
0008 1308h	BSC	Bus Error Status Register 1	BERSR1	8	8	2 ICLK		Buses
0008 130Ah	BSC	Bus Error Status Register 2	BERSR2	16	16	2 ICLK		Buses
0008 1310h	BSC	Bus Priority Control Register	BUSPRI	16	16	2 ICLK		Buses
0008 2000h	DMAC0	DMA Source Address Register	DMSAR	32	32	2 ICLK		DMACa
0008 2004h	DMAC0	DMA Destination Address Register	DMDAR	32	32	2 ICLK		DMACa
0008 2008h	DMAC0	DMA Transfer Count Register	DMCRA	32	32	2 ICLK		DMACa
0008 200Ch	DMAC0	DMA Block Transfer Count Register	DMCRB	16	16	2 ICLK		DMACa
0008 2010h	DMAC0	DMA Transfer Mode Register	DMTMD	16	16	2 ICLK		DMACa
0008 2013h	DMAC0	DMA Interrupt Setting Register	DMINT	8	8	2 ICLK		DMACa
0008 2014h	DMAC0	DMA Address Mode Register	DMAMD	16	16	2 ICLK		DMACa
0008 2018h	DMAC0	DMA Offset Register	DMOFR	32	32	2 ICLK		DMACa
0008 201Ch	DMAC0	DMA Transfer Enable Register	DMCNT	8	8	2 ICLK		DMACa
0008 201Dh	DMAC0	DMA Software Start Register	DMREQ	8	8	2 ICLK		DMACa
0008 201Eh	DMAC0	DMA Status Register	DMSTS	8	8	2 ICLK		DMACa
0008 201Fh	DMAC0	DMA Request Source Flag Control Register	DMCSL	8	8	2 ICLK		DMACa
0008 2040h	DMAC1	DMA Source Address Register	DMSAR	32	32	2 ICLK		DMACa
0008 2044h	DMAC1	DMA Destination Address Register	DMDAR	32	32	2 ICLK		DMACa
0008 2048h	DMAC1	DMA Transfer Count Register	DMCRA	32	32	2 ICLK		DMACa
0008 204Ch	DMAC1	DMA Block Transfer Count Register	DMCRB	16	16	2 ICLK		DMACa
0008 2050h	DMAC1	DMA Transfer Mode Register	DMTMD	16	16	2 ICLK		DMACa
0008 2053h	DMAC1	DMA Interrupt Setting Register	DMINT	8	8	2 ICLK		DMACa
0008 2054h	DMAC1	DMA Address Mode Register	DMAMD	16	16	2 ICLK		DMACa
0008 205Ch	DMAC1	DMA Transfer Enable Register	DMCNT	8	8	2 ICLK		DMACa
0008 205Dh	DMAC1	DMA Software Start Register	DMREQ	8	8	2 ICLK		DMACa
0008 205Eh	DMAC1	DMA Status Register	DMSTS	8	8	2 ICLK		DMACa
0008 205Fh	DMAC1	DMA Request Source Flag Control Register	DMCSL	8	8	2 ICLK		DMACa
0008 2080h	DMAC2	DMA Source Address Register	DMSAR	32	32	2 ICLK		DMACa
0008 2084h	DMAC2	DMA Destination Address Register	DMDAR	32	32	2 ICLK		DMACa
0008 2088h	DMAC2	DMA Transfer Count Register	DMCRA	32	32	2 ICLK		DMACa
0008 208Ch	DMAC2	DMA Block Transfer Count Register	DMCRB	16	16	2 ICLK		DMACa
0008 2090h	DMAC2	DMA Transfer Mode Register	DMTMD	16	16	2 ICLK		DMACa
0008 2093h	DMAC2	DMA Interrupt Setting Register	DMINT	8	8	2 ICLK		DMACa
0008 2094h	DMAC2	DMA Address Mode Register	DMAMD	16	16	2 ICLK		DMACa
0008 209Ch	DMAC2	DMA Transfer Enable Register	DMCNT	8	8	2 ICLK		DMACa
0008 209Dh	DMAC2	DMA Software Start Register	DMREQ	8	8	2 ICLK		DMACa
0008 209Eh	DMAC2	DMA Status Register	DMSTS	8	8	2 ICLK		DMACa
0008 209Fh	DMAC2	DMA Request Source Flag Control Register	DMCSL	8	8	2 ICLK		DMACa



Table 4.1 List of I/O Registers (Address Order) (4 / 56)

Address	Module Symbol	Register Name	Register Symbol	Number of Bits	Access Size	Number of Access Cycles		Related Function
						ICLK ≥ PCLK	ICLK < PCLK	
0008 20C0h	DMAC3	DMA Source Address Register	DMSAR	32	32	2	ICLK	DMACAA
0008 20C4h	DMAC3	DMA Destination Address Register	DMDAR	32	32	2	ICLK	DMACAA
0008 20C8h	DMAC3	DMA Transfer Count Register	DMCRA	32	32	2	ICLK	DMACAA
0008 20CCh	DMAC3	DMA Block Transfer Count Register	DMCRB	16	16	2	ICLK	DMACAA
0008 20D0h	DMAC3	DMA Transfer Mode Register	DMTMD	16	16	2	ICLK	DMACAA
0008 20D3h	DMAC3	DMA Interrupt Setting Register	DMINT	8	8	2	ICLK	DMACAA
0008 20D4h	DMAC3	DMA Address Mode Register	DMAMD	16	16	2	ICLK	DMACAA
0008 20DCh	DMAC3	DMA Transfer Enable Register	DMCNT	8	8	2	ICLK	DMACAA
0008 20DDh	DMAC3	DMA Software Start Register	DMREQ	8	8	2	ICLK	DMACAA
0008 20DEh	DMAC3	DMA Status Register	DMSTS	8	8	2	ICLK	DMACAA
0008 20DFh	DMAC3	DMA Request Source Flag Control Register	DMCSL	8	8	2	ICLK	DMACAA
0008 2100h	DMAC4	DMA Source Address Register	DMSAR	32	32	2	ICLK	DMACAA
0008 2104h	DMAC4	DMA Destination Address Register	DMDAR	32	32	2	ICLK	DMACAA
0008 2108h	DMAC4	DMA Transfer Count Register	DMCRA	32	32	2	ICLK	DMACAA
0008 210Ch	DMAC4	DMA Block Transfer Count Register	DMCRB	16	16	2	ICLK	DMACAA
0008 2110h	DMAC4	DMA Transfer Mode Register	DMTMD	16	16	2	ICLK	DMACAA
0008 2113h	DMAC4	DMA Interrupt Setting Register	DMINT	8	8	2	ICLK	DMACAA
0008 2114h	DMAC4	DMA Address Mode Register	DMAMD	16	16	2	ICLK	DMACAA
0008 211Ch	DMAC4	DMA Transfer Enable Register	DMCNT	8	8	2	ICLK	DMACAA
0008 211Dh	DMAC4	DMA Software Start Register	DMREQ	8	8	2	ICLK	DMACAA
0008 211Eh	DMAC4	DMA Status Register	DMSTS	8	8	2	ICLK	DMACAA
0008 211Fh	DMAC4	DMA Request Source Flag Control Register	DMCSL	8	8	2	ICLK	DMACAA
0008 2140h	DMAC5	DMA Source Address Register	DMSAR	32	32	2	ICLK	DMACAA
0008 2144h	DMAC5	DMA Destination Address Register	DMDAR	32	32	2	ICLK	DMACAA
0008 2148h	DMAC5	DMA Transfer Count Register	DMCRA	32	32	2	ICLK	DMACAA
0008 214Ch	DMAC5	DMA Block Transfer Count Register	DMCRB	16	16	2	ICLK	DMACAA
0008 2150h	DMAC5	DMA Transfer Mode Register	DMTMD	16	16	2	ICLK	DMACAA
0008 2153h	DMAC5	DMA Interrupt Setting Register	DMINT	8	8	2	ICLK	DMACAA
0008 2154h	DMAC5	DMA Address Mode Register	DMAMD	16	16	2	ICLK	DMACAA
0008 215Ch	DMAC5	DMA Transfer Enable Register	DMCNT	8	8	2	ICLK	DMACAA
0008 215Dh	DMAC5	DMA Software Start Register	DMREQ	8	8	2	ICLK	DMACAA
0008 215Eh	DMAC5	DMA Status Register	DMSTS	8	8	2	ICLK	DMACAA
0008 215Fh	DMAC5	DMA Request Source Flag Control Register	DMCSL	8	8	2	ICLK	DMACAA
0008 2180h	DMAC6	DMA Source Address Register	DMSAR	32	32	2	ICLK	DMACAA
0008 2184h	DMAC6	DMA Destination Address Register	DMDAR	32	32	2	ICLK	DMACAA
0008 2188h	DMAC6	DMA Transfer Count Register	DMCRA	32	32	2	ICLK	DMACAA
0008 218Ch	DMAC6	DMA Block Transfer Count Register	DMCRB	16	16	2	ICLK	DMACAA
0008 2190h	DMAC6	DMA Transfer Mode Register	DMTMD	16	16	2	ICLK	DMACAA
0008 2193h	DMAC6	DMA Interrupt Setting Register	DMINT	8	8	2	ICLK	DMACAA
0008 2194h	DMAC6	DMA Address Mode Register	DMAMD	16	16	2	ICLK	DMACAA
0008 219Ch	DMAC6	DMA Transfer Enable Register	DMCNT	8	8	2	ICLK	DMACAA
0008 219Dh	DMAC6	DMA Software Start Register	DMREQ	8	8	2	ICLK	DMACAA
0008 219Eh	DMAC6	DMA Status Register	DMSTS	8	8	2	ICLK	DMACAA
0008 219Fh	DMAC6	DMA Request Source Flag Control Register	DMCSL	8	8	2	ICLK	DMACAA
0008 21C0h	DMAC7	DMA Source Address Register	DMSAR	32	32	2	ICLK	DMACAA
0008 21C4h	DMAC7	DMA Destination Address Register	DMDAR	32	32	2	ICLK	DMACAA
0008 21C8h	DMAC7	DMA Transfer Count Register	DMCRA	32	32	2	ICLK	DMACAA
0008 21CCh	DMAC7	DMA Block Transfer Count Register	DMCRB	16	16	2	ICLK	DMACAA
0008 21D0h	DMAC7	DMA Transfer Mode Register	DMTMD	16	16	2	ICLK	DMACAA
0008 21D3h	DMAC7	DMA Interrupt Setting Register	DMINT	8	8	2	ICLK	DMACAA

Table 4.1 List of I/O Registers (Address Order) (5 / 56)

Address	Module Symbol	Register Name	Register Symbol	Number of Bits	Access Size	Number of Access Cycles		Related Function
						ICLK ≥ PCLK	ICLK < PCLK	
0008 21D4h	DMAC7	DMA Address Mode Register	DMAMD	16	16	2	ICLK	DMACAa
0008 21DCh	DMAC7	DMA Transfer Enable Register	DMCNT	8	8	2	ICLK	DMACAa
0008 21DDh	DMAC7	DMA Software Start Register	DMREQ	8	8	2	ICLK	DMACAa
0008 21DEh	DMAC7	DMA Status Register	DMSTS	8	8	2	ICLK	DMACAa
0008 21DFh	DMAC7	DMA Request Source Flag Control Register	DMCSL	8	8	2	ICLK	DMACAa
0008 2200h	DMAC	DMAC Module Start Register	DMAST	8	8	2	ICLK	DMACAa
0008 2204h	DMAC	DMAC74 Interrupt Status Monitor Register	DMIST	8	8	2	ICLK	DMACAa
0008 2400h	DTC	DTC Control Register	DTCCR	8	8	2	ICLK	DTCa
0008 2404h	DTC	DTC Vector Base Register	DTCVBR	32	32	2	ICLK	DTCa
0008 2408h	DTC	DTC Address Mode Register	DTCADM0D	8	8	2	ICLK	DTCa
0008 240Ch	DTC	DTC Module Start Register	DTCST	8	8	2	ICLK	DTCa
0008 240Eh	DTC	DTC Status Register	DTCSTS	16	16	2	ICLK	DTCa
0008 3002h	BSC	CS0 Mode Register	CS0MOD	16	16	1, 2	BCLK	Buses
0008 3004h	BSC	CS0 Wait Control Register 1	CS0WCR1	32	32	1, 2	BCLK	Buses
0008 3008h	BSC	CS0 Wait Control Register 2	CS0WCR2	32	32	1, 2	BCLK	Buses
0008 3012h	BSC	CS1 Mode Register	CS1MOD	16	16	1, 2	BCLK	Buses
0008 3014h	BSC	CS1 Wait Control Register 1	CS1WCR1	32	32	1, 2	BCLK	Buses
0008 3018h	BSC	CS1 Wait Control Register 2	CS1WCR2	32	32	1, 2	BCLK	Buses
0008 3022h	BSC	CS2 Mode Register	CS2MOD	16	16	1, 2	BCLK	Buses
0008 3024h	BSC	CS2 Wait Control Register 1	CS2WCR1	32	32	1, 2	BCLK	Buses
0008 3028h	BSC	CS2 Wait Control Register 2	CS2WCR2	32	32	1, 2	BCLK	Buses
0008 3032h	BSC	CS3 Mode Register	CS3MOD	16	16	1, 2	BCLK	Buses
0008 3034h	BSC	CS3 Wait Control Register 1	CS3WCR1	32	32	1, 2	BCLK	Buses
0008 3038h	BSC	CS3 Wait Control Register 2	CS3WCR2	32	32	1, 2	BCLK	Buses
0008 3802h	BSC	CS0 Control Register	CS0CR	16	16	1, 2	BCLK	Buses
0008 380Ah	BSC	CS0 Recovery Cycle Register	CS0REC	16	16	1, 2	BCLK	Buses
0008 3812h	BSC	CS1 Control Register	CS1CR	16	16	1, 2	BCLK	Buses
0008 381Ah	BSC	CS1 Recovery Cycle Register	CS1REC	16	16	1, 2	BCLK	Buses
0008 3822h	BSC	CS2 Control Register	CS2CR	16	16	1, 2	BCLK	Buses
0008 382Ah	BSC	CS2 Recovery Cycle Register	CS2REC	16	16	1, 2	BCLK	Buses
0008 3832h	BSC	CS3 Control Register	CS3CR	16	16	1, 2	BCLK	Buses
0008 383Ah	BSC	CS3 Recovery Cycle Register	CS3REC	16	16	1, 2	BCLK	Buses
0008 3880h	BSC	CS Recovery Cycle Insertion Enable Register	CSRECEN	16	16	1, 2	BCLK	Buses
0008 6400h	MPU	Region-0 Start Page Number Register	RSPAGE0	32	32	1	ICLK	MPU
0008 6404h	MPU	Region-0 End Page Number Register	REPAGE0	32	32	1	ICLK	MPU
0008 6408h	MPU	Region-1 Start Page Number Register	RSPAGE1	32	32	1	ICLK	MPU
0008 640Ch	MPU	Region-1 End Page Number Register	REPAGE1	32	32	1	ICLK	MPU
0008 6410h	MPU	Region-2 Start Page Number Register	RSPAGE2	32	32	1	ICLK	MPU
0008 6414h	MPU	Region-2 End Page Number Register	REPAGE2	32	32	1	ICLK	MPU
0008 6418h	MPU	Region-3 Start Page Number Register	RSPAGE3	32	32	1	ICLK	MPU
0008 641Ch	MPU	Region-3 End Page Number Register	REPAGE3	32	32	1	ICLK	MPU
0008 6420h	MPU	Region-4 Start Page Number Register	RSPAGE4	32	32	1	ICLK	MPU
0008 6424h	MPU	Region-4 End Page Number Register	REPAGE4	32	32	1	ICLK	MPU
0008 6428h	MPU	Region-5 Start Page Number Register	RSPAGE5	32	32	1	ICLK	MPU
0008 642Ch	MPU	Region-5 End Page Number Register	REPAGE5	32	32	1	ICLK	MPU
0008 6430h	MPU	Region-6 Start Page Number Register	RSPAGE6	32	32	1	ICLK	MPU
0008 6434h	MPU	Region-6 End Page Number Register	REPAGE6	32	32	1	ICLK	MPU
0008 6438h	MPU	Region-7 Start Page Number Register	RSPAGE7	32	32	1	ICLK	MPU
0008 643Ch	MPU	Region-7 End Page Number Register	REPAGE7	32	32	1	ICLK	MPU
0008 6500h	MPU	Memory-Protection Enable Register	MPEN	32	32	1	ICLK	MPU

Table 4.1 List of I/O Registers (Address Order) (6 / 56)

Address	Module Symbol	Register Name	Register Symbol	Number of Bits	Access Size	Number of Access Cycles		Related Function
						ICLK ≥ PCLK	ICLK < PCLK	
0008 6504h	MPU	Background Access Control Register	MPBAC	32	32	1 ICLK		MPU
0008 6508h	MPU	Memory-Protection Error Status-Clearing Register	MPECLR	32	32	1 ICLK		MPU
0008 650Ch	MPU	Memory-Protection Error Status Register	MPESTS	32	32	1 ICLK		MPU
0008 6514h	MPU	Data Memory-Protection Error Address Register	MPDEA	32	32	1 ICLK		MPU
0008 6520h	MPU	Region Search Address Register	MPSA	32	32	1 ICLK		MPU
0008 6524h	MPU	Region Search Operation Register	MPOPS	16	16	1 ICLK		MPU
0008 6526h	MPU	Region Invalidation Operation Register	MPOPI	16	16	1 ICLK		MPU
0008 6528h	MPU	Instruction-Hit Region Register	MHITI	32	32	1 ICLK		MPU
0008 652Ch	MPU	Data-Hit Region Register	MHITD	32	32	1 ICLK		MPU
0008 7010h to 0008 70FFh	ICU	Interrupt Request Register 016 to Interrupt Request Register 255	IR016 to IR255	8	8	2 ICLK		ICUC
0008 711Ah to 0008 71FFh	ICU	DTC Transfer Request Enable Register 026 to DTC Transfer Request Enable Register 255	DTCER026 to DTCER255	8	8	2 ICLK		ICUC
0008 7202h to 0008 721Fh	ICU	Interrupt Request Enable Register 02 to Interrupt Request Enable Register 1F	IER02 to IER1F	8	8	2 ICLK		ICUC
0008 72E0h	ICU	Software Interrupt Generation Register	SWINTR	8	8	2 ICLK		ICUC
0008 72E1h	ICU	Software Interrupt 2 Generation Register	SWINT2R	8	8	2 ICLK		ICUC
0008 72F0h	ICU	Fast Interrupt Set Register	FIR	16	16	2 ICLK		ICUC
0008 7300h to 0008 73FFh	ICU	Interrupt Source Priority Register 000 to Interrupt Source Priority Register 255	IPR000 to IPR255	8	8	2 ICLK		ICUC
0008 7400h	ICU	DMAC Trigger Select Register 0	DMRSR0	8	8	2 ICLK		ICUC
0008 7404h	ICU	DMAC Trigger Select Register 1	DMRSR1	8	8	2 ICLK		ICUC
0008 7408h	ICU	DMAC Trigger Select Register 2	DMRSR2	8	8	2 ICLK		ICUC
0008 740Ch	ICU	DMAC Trigger Select Register 3	DMRSR3	8	8	2 ICLK		ICUC
0008 7410h	ICU	DMAC Trigger Select Register 4	DMRSR4	8	8	2 ICLK		ICUC
0008 7414h	ICU	DMAC Trigger Select Register 5	DMRSR5	8	8	2 ICLK		ICUC
0008 7418h	ICU	DMAC Trigger Select Register 6	DMRSR6	8	8	2 ICLK		ICUC
0008 741Ch	ICU	DMAC Trigger Select Register 7	DMRSR7	8	8	2 ICLK		ICUC
0008 7500h to 0008 750Fh	ICU	IRQ Control Register 0 to IRQ Control Register 15	IRQCR0 to IRQCR15	8	8	2 ICLK		ICUC
0008 7520h	ICU	IRQ Pin Digital Filter Enable Register 0	IRQFLTE0	8	8	2 ICLK		ICUC
0008 7521h	ICU	IRQ Pin Digital Filter Enable Register 1	IRQFLTE1	8	8	2 ICLK		ICUC
0008 7528h	ICU	IRQ Pin Digital Filter Setting Register 0	IRQFLTC0	16	16	2 ICLK		ICUC
0008 752Ah	ICU	IRQ Pin Digital Filter Setting Register 1	IRQFLTC1	16	16	2 ICLK		ICUC
0008 7580h	ICU	Non-Maskable Interrupt Status Register	NMISR	8	8	2 ICLK		ICUC
0008 7581h	ICU	Non-Maskable Interrupt Enable Register	NMIER	8	8	2 ICLK		ICUC
0008 7582h	ICU	Non-Maskable Interrupt Status Clear Register	NMICLR	8	8	2 ICLK		ICUC
0008 7583h	ICU	NMI Pin Interrupt Control Register	NMICR	8	8	2 ICLK		ICUC
0008 7590h	ICU	NMI Pin Digital Filter Enable Register	NMIFLTE	8	8	2 ICLK		ICUC
0008 7594h	ICU	NMI Pin Digital Filter Setting Register	NMIFLTC	8	8	2 ICLK		ICUC
0008 7600h	ICU	Group BE0 Interrupt Request Register	GRPBE0	32	32	2 ICLK to 1 PCLKB	2 ICLK	ICUC
0008 7630h	ICU	Group BL0 Interrupt Request Register	GRPBL0	32	32	2 ICLK to 1 PCLKB	2 ICLK	ICUC
0008 7634h	ICU	Group BL1 Interrupt Request Register	GRPBL1	32	32	2 ICLK to 1 PCLKB	2 ICLK	ICUC
0008 7640h	ICU	Group BE0 Interrupt Request Enable Register	GENBE0	32	32	2 ICLK to 1 PCLKB	2 ICLK	ICUC
0008 7670h	ICU	Group BL0 Interrupt Request Enable Register	GENBL0	32	32	2 ICLK to 1 PCLKB	2 ICLK	ICUC
0008 7674h	ICU	Group BL1 Interrupt Request Enable Register	GENBL1	32	32	2 ICLK to 1 PCLKB	2 ICLK	ICUC
0008 7680h	ICU	Group BE0 Interrupt Clear Register	GCRBE0	32	32	2 ICLK to 1 PCLKB	2 ICLK	ICUC
0008 7830h	ICU	Group AL0 Interrupt Request Register	GRPAL0	32	32	2 ICLK to 1 PCLKA	2 ICLK	ICUC

**Table 4.1 List of I/O Registers (Address Order) (7 / 56)**

Address	Module Symbol	Register Name	Register Symbol	Number of Bits	Access Size	Number of Access Cycles		Related Function
						ICLK ≥ PCLK	ICLK < PCLK	
0008 7870h	ICU	Group AL0 Interrupt Request Enable Register	GENAL0	32	32	2 ICLK to 1 PCLKA	2 ICLK	ICUC
0008 7900h	ICU	Software Configurable Interrupt A Request Register 0	PIAR0	8	8	2 ICLK to 1 PCLKA	2 ICLK	ICUC
0008 7901h	ICU	Software Configurable Interrupt A Request Register 1	PIAR1	8	8	2 ICLK to 1 PCLKA	2 ICLK	ICUC
0008 7902h	ICU	Software Configurable Interrupt A Request Register 2	PIAR2	8	8	2 ICLK to 1 PCLKA	2 ICLK	ICUC
0008 7903h	ICU	Software Configurable Interrupt A Request Register 3	PIAR3	8	8	2 ICLK to 1 PCLKA	2 ICLK	ICUC
0008 7904h	ICU	Software Configurable Interrupt A Request Register 4	PIAR4	8	8	2 ICLK to 1 PCLKA	2 ICLK	ICUC
0008 7905h	ICU	Software Configurable Interrupt A Request Register 5	PIAR5	8	8	2 ICLK to 1 PCLKA	2 ICLK	ICUC
0008 7906h	ICU	Software Configurable Interrupt A Request Register 6	PIAR6	8	8	2 ICLK to 1 PCLKA	2 ICLK	ICUC
0008 7907h	ICU	Software Configurable Interrupt A Request Register 7	PIAR7	8	8	2 ICLK to 1 PCLKA	2 ICLK	ICUC
0008 7908h	ICU	Software Configurable Interrupt A Request Register 8	PIAR8	8	8	2 ICLK to 1 PCLKA	2 ICLK	ICUC
0008 7909h	ICU	Software Configurable Interrupt A Request Register 9	PIAR9	8	8	2 ICLK to 1 PCLKA	2 ICLK	ICUC
0008 790Ah	ICU	Software Configurable Interrupt A Request Register A	PIARA	8	8	2 ICLK to 1 PCLKA	2 ICLK	ICUC
0008 790Bh	ICU	Software Configurable Interrupt A Request Register B	PIARB	8	8	2 ICLK to 1 PCLKA	2 ICLK	ICUC
0008 790Ch	ICU	Software Configurable Interrupt A Request Register C	PIARC	8	8	2 ICLK to 1 PCLKA	2 ICLK	ICUC
0008 790Dh	ICU	Software Configurable Interrupt A Request Register D	PIARD	8	8	2 ICLK to 1 PCLKA	2 ICLK	ICUC
0008 790Eh	ICU	Software Configurable Interrupt A Request Register E	PIARE	8	8	2 ICLK to 1 PCLKA	2 ICLK	ICUC
0008 790Fh	ICU	Software Configurable Interrupt A Request Register F	PIARF	8	8	2 ICLK to 1 PCLKA	2 ICLK	ICUC
0008 7910h	ICU	Software Configurable Interrupt A Request Register 10	PIAR10	8	8	2 ICLK to 1 PCLKA	2 ICLK	ICUC
0008 7911h	ICU	Software Configurable Interrupt A Request Register 11	PIAR11	8	8	2 ICLK to 1 PCLKA	2 ICLK	ICUC
0008 7912h	ICU	Software Configurable Interrupt A Request Register 12	PIAR12	8	8	2 ICLK to 1 PCLKA	2 ICLK	ICUC
0008 79D0h	ICU	Software Configurable Interrupt A Source Select Register 208	SLIAR208	8	8	2 ICLK to 1 PCLKA	2 ICLK	ICUC
0008 79D1h	ICU	Software Configurable Interrupt A Source Select Register 209	SLIAR209	8	8	2 ICLK to 1 PCLKA	2 ICLK	ICUC
0008 79D2h	ICU	Software Configurable Interrupt A Source Select Register 210	SLIAR210	8	8	2 ICLK to 1 PCLKA	2 ICLK	ICUC
0008 79D3h	ICU	Software Configurable Interrupt A Source Select Register 211	SLIAR211	8	8	2 ICLK to 1 PCLKA	2 ICLK	ICUC
0008 79D4h	ICU	Software Configurable Interrupt A Source Select Register 212	SLIAR212	8	8	2 ICLK to 1 PCLKA	2 ICLK	ICUC
0008 79D5h	ICU	Software Configurable Interrupt A Source Select Register 213	SLIAR213	8	8	2 ICLK to 1 PCLKA	2 ICLK	ICUC
0008 79D6h	ICU	Software Configurable Interrupt A Source Select Register 214	SLIAR214	8	8	2 ICLK to 1 PCLKA	2 ICLK	ICUC
0008 79D7h	ICU	Software Configurable Interrupt A Source Select Register 215	SLIAR215	8	8	2 ICLK to 1 PCLKA	2 ICLK	ICUC
0008 79D8h	ICU	Software Configurable Interrupt A Source Select Register 216	SLIAR216	8	8	2 ICLK to 1 PCLKA	2 ICLK	ICUC
0008 79D9h	ICU	Software Configurable Interrupt A Source Select Register 217	SLIAR217	8	8	2 ICLK to 1 PCLKA	2 ICLK	ICUC
0008 79DAh	ICU	Software Configurable Interrupt A Source Select Register 218	SLIAR218	8	8	2 ICLK to 1 PCLKA	2 ICLK	ICUC
0008 79DBh	ICU	Software Configurable Interrupt A Source Select Register 219	SLIAR219	8	8	2 ICLK to 1 PCLKA	2 ICLK	ICUC
0008 79DCh	ICU	Software Configurable Interrupt A Source Select Register 220	SLIAR220	8	8	2 ICLK to 1 PCLKA	2 ICLK	ICUC

**Table 4.1 List of I/O Registers (Address Order) (8 / 56)**

Address	Module Symbol	Register Name	Register Symbol	Number of Bits	Access Size	Number of Access Cycles		Related Function
						ICLK ≥ PCLK	ICLK < PCLK	
0008 79DDh	ICU	Software Configurable Interrupt A Source Select Register 221	SLIAR221	8	8	2 ICLK to 1 PCLKA	2 ICLK	ICUC
0008 79DEh	ICU	Software Configurable Interrupt A Source Select Register 222	SLIAR222	8	8	2 ICLK to 1 PCLKA	2 ICLK	ICUC
0008 79DFh	ICU	Software Configurable Interrupt A Source Select Register 223	SLIAR223	8	8	2 ICLK to 1 PCLKA	2 ICLK	ICUC
0008 79E0h	ICU	Software Configurable Interrupt A Source Select Register 224	SLIAR224	8	8	2 ICLK to 1 PCLKA	2 ICLK	ICUC
0008 79E1h	ICU	Software Configurable Interrupt A Source Select Register 225	SLIAR225	8	8	2 ICLK to 1 PCLKA	2 ICLK	ICUC
0008 79E2h	ICU	Software Configurable Interrupt A Source Select Register 226	SLIAR226	8	8	2 ICLK to 1 PCLKA	2 ICLK	ICUC
0008 79E3h	ICU	Software Configurable Interrupt A Source Select Register 227	SLIAR227	8	8	2 ICLK to 1 PCLKA	2 ICLK	ICUC
0008 79E4h	ICU	Software Configurable Interrupt A Source Select Register 228	SLIAR228	8	8	2 ICLK to 1 PCLKA	2 ICLK	ICUC
0008 79E5h	ICU	Software Configurable Interrupt A Source Select Register 229	SLIAR229	8	8	2 ICLK to 1 PCLKA	2 ICLK	ICUC
0008 79E6h	ICU	Software Configurable Interrupt A Source Select Register 230	SLIAR230	8	8	2 ICLK to 1 PCLKA	2 ICLK	ICUC
0008 79E7h	ICU	Software Configurable Interrupt A Source Select Register 231	SLIAR231	8	8	2 ICLK to 1 PCLKA	2 ICLK	ICUC
0008 79E8h	ICU	Software Configurable Interrupt A Source Select Register 232	SLIAR232	8	8	2 ICLK to 1 PCLKA	2 ICLK	ICUC
0008 79E9h	ICU	Software Configurable Interrupt A Source Select Register 233	SLIAR233	8	8	2 ICLK to 1 PCLKA	2 ICLK	ICUC
0008 79EAh	ICU	Software Configurable Interrupt A Source Select Register 234	SLIAR234	8	8	2 ICLK to 1 PCLKA	2 ICLK	ICUC
0008 79EBh	ICU	Software Configurable Interrupt A Source Select Register 235	SLIAR235	8	8	2 ICLK to 1 PCLKA	2 ICLK	ICUC
0008 79ECh	ICU	Software Configurable Interrupt A Source Select Register 236	SLIAR236	8	8	2 ICLK to 1 PCLKA	2 ICLK	ICUC
0008 79EDh	ICU	Software Configurable Interrupt A Source Select Register 237	SLIAR237	8	8	2 ICLK to 1 PCLKA	2 ICLK	ICUC
0008 79EEh	ICU	Software Configurable Interrupt A Source Select Register 238	SLIAR238	8	8	2 ICLK to 1 PCLKA	2 ICLK	ICUC
0008 79EFh	ICU	Software Configurable Interrupt A Source Select Register 239	SLIAR239	8	8	2 ICLK to 1 PCLKA	2 ICLK	ICUC
0008 79F0h	ICU	Software Configurable Interrupt A Source Select Register 240	SLIAR240	8	8	2 ICLK to 1 PCLKA	2 ICLK	ICUC
0008 79F1h	ICU	Software Configurable Interrupt A Source Select Register 241	SLIAR241	8	8	2 ICLK to 1 PCLKA	2 ICLK	ICUC
0008 79F2h	ICU	Software Configurable Interrupt A Source Select Register 242	SLIAR242	8	8	2 ICLK to 1 PCLKA	2 ICLK	ICUC
0008 79F3h	ICU	Software Configurable Interrupt A Source Select Register 243	SLIAR243	8	8	2 ICLK to 1 PCLKA	2 ICLK	ICUC
0008 79F4h	ICU	Software Configurable Interrupt A Source Select Register 244	SLIAR244	8	8	2 ICLK to 1 PCLKA	2 ICLK	ICUC
0008 79F5h	ICU	Software Configurable Interrupt A Source Select Register 245	SLIAR245	8	8	2 ICLK to 1 PCLKA	2 ICLK	ICUC
0008 79F6h	ICU	Software Configurable Interrupt A Source Select Register 246	SLIAR246	8	8	2 ICLK to 1 PCLKA	2 ICLK	ICUC
0008 79F7h	ICU	Software Configurable Interrupt A Source Select Register 247	SLIAR247	8	8	2 ICLK to 1 PCLKA	2 ICLK	ICUC
0008 79F8h	ICU	Software Configurable Interrupt A Source Select Register 248	SLIAR248	8	8	2 ICLK to 1 PCLKA	2 ICLK	ICUC
0008 79F9h	ICU	Software Configurable Interrupt A Source Select Register 249	SLIAR249	8	8	2 ICLK to 1 PCLKA	2 ICLK	ICUC
0008 79FAh	ICU	Software Configurable Interrupt A Source Select Register 250	SLIAR250	8	8	2 ICLK to 1 PCLKA	2 ICLK	ICUC
0008 79FBh	ICU	Software Configurable Interrupt A Source Select Register 251	SLIAR251	8	8	2 ICLK to 1 PCLKA	2 ICLK	ICUC

Table 4.1 List of I/O Registers (Address Order) (9 / 56)

Address	Module Symbol	Register Name	Register Symbol	Number of Bits	Access Size	Number of Access Cycles		Related Function
						ICLK ≥ PCLK	ICLK < PCLK	
0008 79FCh	ICU	Software Configurable Interrupt A Source Select Register 252	SLIAR252	8	8	2 ICLK to 1 PCLKA	2 ICLK	ICUC
0008 79FDh	ICU	Software Configurable Interrupt A Source Select Register 253	SLIAR253	8	8	2 ICLK to 1 PCLKA	2 ICLK	ICUC
0008 79FEh	ICU	Software Configurable Interrupt A Source Select Register 254	SLIAR254	8	8	2 ICLK to 1 PCLKA	2 ICLK	ICUC
0008 79FFh	ICU	Software Configurable Interrupt A Source Select Register 255	SLIAR255	8	8	2 ICLK to 1 PCLKA	2 ICLK	ICUC
0008 7A00h	ICU	Software Configurable Interrupt Source Select Register Write Protect Register	SLIPRCR	8	8	2 ICLK to 1 PCLKA/B	2 ICLK	ICUC
0008 8000h	CMT	Compare Match Timer Start Register 0	CMSTR0	16	16	2, 3 PCLKB	2 ICLK	CMT
0008 8002h	CMT0	Compare Match Timer Control Register	CMCR	16	16	2, 3 PCLKB	2 ICLK	CMT
0008 8004h	CMT0	Compare Match Counter	CMCNT	16	16	2, 3 PCLKB	2 ICLK	CMT
0008 8006h	CMT0	Compare Match Constant Register	CMCOR	16	16	2, 3 PCLKB	2 ICLK	CMT
0008 8008h	CMT1	Compare Match Timer Control Register	CMCR	16	16	2, 3 PCLKB	2 ICLK	CMT
0008 800Ah	CMT1	Compare Match Counter	CMCNT	16	16	2, 3 PCLKB	2 ICLK	CMT
0008 800Ch	CMT1	Compare Match Constant Register	CMCOR	16	16	2, 3 PCLKB	2 ICLK	CMT
0008 8010h	CMT	Compare Match Timer Start Register 1	CMSTR1	16	16	2, 3 PCLKB	2 ICLK	CMT
0008 8012h	CMT2	Compare Match Timer Control Register	CMCR	16	16	2, 3 PCLKB	2 ICLK	CMT
0008 8014h	CMT2	Compare Match Counter	CMCNT	16	16	2, 3 PCLKB	2 ICLK	CMT
0008 8016h	CMT2	Compare Match Constant Register	CMCOR	16	16	2, 3 PCLKB	2 ICLK	CMT
0008 8018h	CMT3	Compare Match Timer Control Register	CMCR	16	16	2, 3 PCLKB	2 ICLK	CMT
0008 801Ah	CMT3	Compare Match Counter	CMCNT	16	16	2, 3 PCLKB	2 ICLK	CMT
0008 801Ch	CMT3	Compare Match Constant Register	CMCOR	16	16	2, 3 PCLKB	2 ICLK	CMT
0008 8020h	WDT	WDT Refresh Register	WDTRR	8	8	2, 3 PCLKB	2 ICLK	WDTA
0008 8022h	WDT	WDT Control Register	WDTCR	16	16	2, 3 PCLKB	2 ICLK	WDTA
0008 8024h	WDT	WDT Status Register	WDTSR	16	16	2, 3 PCLKB	2 ICLK	WDTA
0008 8026h	WDT	WDT Reset Control Register	WDTRCR	8	8	2, 3 PCLKB	2 ICLK	WDTA
0008 8030h	IWDT	IWDT Refresh Register	IWDTRR	8	8	2, 3 PCLKB	2 ICLK	IWDTa
0008 8032h	IWDT	IWDT Control Register	IWDTCR	16	16	2, 3 PCLKB	2 ICLK	IWDTa
0008 8034h	IWDT	IWDT Status Register	IWDTSR	16	16	2, 3 PCLKB	2 ICLK	IWDTa
0008 8036h	IWDT	IWDT Reset Control Register	IWDTRCR	8	8	2, 3 PCLKB	2 ICLK	IWDTa
0008 8038h	IWDT	IWDT Count Stop Control Register	IWDTCSTPR	8	8	2, 3 PCLKB	2 ICLK	IWDTa
0008 8040h	DA	D/A Data Register 0	DADR0	16	16	2, 3 PCLKB	2 ICLK	R12DAb
0008 8042h	DA	D/A Data Register 1	DADR1	16	16	2, 3 PCLKB	2 ICLK	R12DAb
0008 8044h	DA	D/A Control Register	DACR	8	8	2, 3 PCLKB	2 ICLK	R12DAb
0008 8045h	DA	DADRM Format Select Register	DADPR	8	8	2, 3 PCLKB	2 ICLK	R12DAb
0008 8046h	DA	D/A A/D Synchronous Start Control Register	DAADSCR	8	8	2, 3 PCLKB	2 ICLK	R12DAb
0008 8049h	DA	D/A Destination Select Register	DADSELR	8	8	2, 3 PCLKB	2 ICLK	R12DAb
0008 8200h	TMR0	Timer Control Register	TCR	8	8	2, 3 PCLKB	2 ICLK	TMR
0008 8201h	TMR1	Timer Control Register	TCR	8	8	2, 3 PCLKB	2 ICLK	TMR
0008 8202h	TMR0	Timer Control/Status Register	TCSR	8	8	2, 3 PCLKB	2 ICLK	TMR
0008 8203h	TMR1	Timer Control/Status Register	TCSR	8	8	2, 3 PCLKB	2 ICLK	TMR
0008 8204h	TMR0	Time Constant Register A	TCORA	8	8	2, 3 PCLKB	2 ICLK	TMR
0008 8204h	TMR01	Time Constant Register A	TCORA	16	16	2, 3 PCLKB	2 ICLK	TMR
0008 8205h	TMR1	Time Constant Register A	TCORA	8	8	2, 3 PCLKB	2 ICLK	TMR
0008 8206h	TMR0	Time Constant Register B	TCORB	8	8	2, 3 PCLKB	2 ICLK	TMR
0008 8206h	TMR01	Time Constant Register B	TCORB	16	16	2, 3 PCLKB	2 ICLK	TMR
0008 8207h	TMR1	Time Constant Register B	TCORB	8	8	2, 3 PCLKB	2 ICLK	TMR
0008 8208h	TMR0	Timer Counter	TCNT	8	8	2, 3 PCLKB	2 ICLK	TMR
0008 8208h	TMR01	Timer Counter	TCNT	16	16	2, 3 PCLKB	2 ICLK	TMR
0008 8209h	TMR1	Timer Counter	TCNT	8	8	2, 3 PCLKB	2 ICLK	TMR



Table 4.1 List of I/O Registers (Address Order) (10 / 56)

Address	Module Symbol	Register Name	Register Symbol	Number of Bits	Access Size	Number of Access Cycles		Related Function
						ICLK ≥ PCLK	ICLK < PCLK	
0008 820Ah	TMR0	Timer Counter Control Register	TCCR	8	8	2, 3 PCLKB	2 ICLK	TMR
0008 820Ah	TMR01	Timer Counter Control Register	TCCR	16	16	2, 3 PCLKB	2 ICLK	TMR
0008 820Bh	TMR1	Timer Counter Control Register	TCCR	8	8	2, 3 PCLKB	2 ICLK	TMR
0008 820Ch	TMR0	Timer Counter Start Register	TCSTR	8	8	2, 3 PCLKB	2 ICLK	TMR
0008 820Dh	TMR1	Timer Counter Start Register	TCSTR	8	8	2, 3 PCLKB	2 ICLK	TMR
0008 8210h	TMR2	Timer Control Register	TCR	8	8	2, 3 PCLKB	2 ICLK	TMR
0008 8211h	TMR3	Timer Control Register	TCR	8	8	2, 3 PCLKB	2 ICLK	TMR
0008 8212h	TMR2	Timer Control/Status Register	TCSR	8	8	2, 3 PCLKB	2 ICLK	TMR
0008 8213h	TMR3	Timer Control/Status Register	TCSR	8	8	2, 3 PCLKB	2 ICLK	TMR
0008 8214h	TMR2	Time Constant Register A	TCORA	8	8	2, 3 PCLKB	2 ICLK	TMR
0008 8214h	TMR23	Time Constant Register A	TCORA	16	16	2, 3 PCLKB	2 ICLK	TMR
0008 8215h	TMR3	Time Constant Register A	TCORA	8	8	2, 3 PCLKB	2 ICLK	TMR
0008 8216h	TMR2	Time Constant Register B	TCORB	8	8	2, 3 PCLKB	2 ICLK	TMR
0008 8216h	TMR23	Time Constant Register B	TCORB	16	16	2, 3 PCLKB	2 ICLK	TMR
0008 8217h	TMR3	Time Constant Register B	TCORB	8	8	2, 3 PCLKB	2 ICLK	TMR
0008 8218h	TMR2	Timer Counter	TCNT	8	8	2, 3 PCLKB	2 ICLK	TMR
0008 8218h	TMR23	Timer Counter	TCNT	16	16	2, 3 PCLKB	2 ICLK	TMR
0008 8219h	TMR3	Timer Counter	TCNT	8	8	2, 3 PCLKB	2 ICLK	TMR
0008 821Ah	TMR2	Timer Counter Control Register	TCCR	8	8	2, 3 PCLKB	2 ICLK	TMR
0008 821Ah	TMR23	Timer Counter Control Register	TCCR	16	16	2, 3 PCLKB	2 ICLK	TMR
0008 821Bh	TMR3	Timer Counter Control Register	TCCR	8	8	2, 3 PCLKB	2 ICLK	TMR
0008 821Ch	TMR2	Timer Counter Start Register	TCSTR	8	8	2, 3 PCLKB	2 ICLK	TMR
0008 821Dh	TMR3	Timer Counter Start Register	TCSTR	8	8	2, 3 PCLKB	2 ICLK	TMR
0008 8220h	TMR4	Timer Control Register	TCR	8	8	2, 3 PCLKB	2 ICLK	TMR
0008 8221h	TMR5	Timer Control Register	TCR	8	8	2, 3 PCLKB	2 ICLK	TMR
0008 8222h	TMR4	Timer Control/Status Register	TCSR	8	8	2, 3 PCLKB	2 ICLK	TMR
0008 8223h	TMR5	Timer Control/Status Register	TCSR	8	8	2, 3 PCLKB	2 ICLK	TMR
0008 8224h	TMR4	Time Constant Register A	TCORA	8	8	2, 3 PCLKB	2 ICLK	TMR
0008 8224h	TMR45	Time Constant Register A	TCORA	16	16	2, 3 PCLKB	2 ICLK	TMR
0008 8225h	TMR5	Time Constant Register A	TCORA	8	8	2, 3 PCLKB	2 ICLK	TMR
0008 8226h	TMR4	Time Constant Register B	TCORB	8	8	2, 3 PCLKB	2 ICLK	TMR
0008 8226h	TMR45	Time Constant Register B	TCORB	16	16	2, 3 PCLKB	2 ICLK	TMR
0008 8227h	TMR5	Time Constant Register B	TCORB	8	8	2, 3 PCLKB	2 ICLK	TMR
0008 8228h	TMR4	Timer Counter	TCNT	8	8	2, 3 PCLKB	2 ICLK	TMR
0008 8228h	TMR45	Timer Counter	TCNT	16	16	2, 3 PCLKB	2 ICLK	TMR
0008 8229h	TMR5	Timer Counter	TCNT	8	8	2, 3 PCLKB	2 ICLK	TMR
0008 822Ah	TMR4	Timer Counter Control Register	TCCR	8	8	2, 3 PCLKB	2 ICLK	TMR
0008 822Ah	TMR45	Timer Counter Control Register	TCCR	16	16	2, 3 PCLKB	2 ICLK	TMR
0008 822Bh	TMR5	Timer Counter Control Register	TCCR	8	8	2, 3 PCLKB	2 ICLK	TMR
0008 8230h	TMR6	Timer Control Register	TCR	8	8	2, 3 PCLKB	2 ICLK	TMR
0008 8231h	TMR7	Timer Control Register	TCR	8	8	2, 3 PCLKB	2 ICLK	TMR
0008 8232h	TMR6	Timer Control/Status Register	TCSR	8	8	2, 3 PCLKB	2 ICLK	TMR
0008 8233h	TMR7	Timer Control/Status Register	TCSR	8	8	2, 3 PCLKB	2 ICLK	TMR
0008 8234h	TMR6	Time Constant Register A	TCORA	8	8	2, 3 PCLKB	2 ICLK	TMR
0008 8234h	TMR67	Time Constant Register A	TCORA	16	16	2, 3 PCLKB	2 ICLK	TMR
0008 8235h	TMR7	Time Constant Register A	TCORA	8	8	2, 3 PCLKB	2 ICLK	TMR
0008 8236h	TMR6	Time Constant Register B	TCORB	8	8	2, 3 PCLKB	2 ICLK	TMR
0008 8236h	TMR67	Time Constant Register B	TCORB	16	16	2, 3 PCLKB	2 ICLK	TMR
0008 8237h	TMR7	Time Constant Register B	TCORB	8	8	2, 3 PCLKB	2 ICLK	TMR
0008 8238h	TMR6	Timer Counter	TCNT	8	8	2, 3 PCLKB	2 ICLK	TMR

Table 4.1 List of I/O Registers (Address Order) (11 / 56)

Address	Module Symbol	Register Name	Register Symbol	Number of Bits	Access Size	Number of Access Cycles		Related Function
						ICLK ≥ PCLK	ICLK < PCLK	
0008 8238h	TMR67	Timer Counter	TCNT	16	16	2, 3 PCLKB	2 ICLK	TMR
0008 8239h	TMR7	Timer Counter	TCNT	8	8	2, 3 PCLKB	2 ICLK	TMR
0008 823Ah	TMR6	Timer Counter Control Register	TCCR	8	8	2, 3 PCLKB	2 ICLK	TMR
0008 823Ah	TMR67	Timer Counter Control Register	TCCR	16	16	2, 3 PCLKB	2 ICLK	TMR
0008 823Bh	TMR7	Timer Counter Control Register	TCCR	8	8	2, 3 PCLKB	2 ICLK	TMR
0008 8280h	CRC	CRC Control Register	CRCCR	8	8	2, 3 PCLKB	2 ICLK	CRCA
0008 8284h	CRC	CRC Data Input Register	CRCDIR	32	8, 32	2, 3 PCLKB	2 ICLK	CRCA
0008 8288h	CRC	CRC Data Output Register	CRCDOR	32	8, 16, 32	2, 3 PCLKB	2 ICLK	CRCA
0008 8300h	RIIC0	I <sup>2</sup> C-bus Control Register 1	ICCR1	8	8	2, 3 PCLKB	2 ICLK	RIICa
0008 8301h	RIIC0	I <sup>2</sup> C-bus Control Register 2	ICCR2	8	8	2, 3 PCLKB	2 ICLK	RIICa
0008 8302h	RIIC0	I <sup>2</sup> C-bus Mode Register 1	ICMR1	8	8	2, 3 PCLKB	2 ICLK	RIICa
0008 8303h	RIIC0	I <sup>2</sup> C-bus Mode Register 2	ICMR2	8	8	2, 3 PCLKB	2 ICLK	RIICa
0008 8304h	RIIC0	I <sup>2</sup> C-bus Mode Register 3	ICMR3	8	8	2, 3 PCLKB	2 ICLK	RIICa
0008 8305h	RIIC0	I <sup>2</sup> C-bus Function Enable Register	ICFER	8	8	2, 3 PCLKB	2 ICLK	RIICa
0008 8306h	RIIC0	I <sup>2</sup> C-bus Status Enable Register	ICSER	8	8	2, 3 PCLKB	2 ICLK	RIICa
0008 8307h	RIIC0	I <sup>2</sup> C-bus Interrupt Enable Register	ICIER	8	8	2, 3 PCLKB	2 ICLK	RIICa
0008 8308h	RIIC0	I <sup>2</sup> C-bus Status Register 1	ICSR1	8	8	2, 3 PCLKB	2 ICLK	RIICa
0008 8309h	RIIC0	I <sup>2</sup> C-bus Status Register 2	ICSR2	8	8	2, 3 PCLKB	2 ICLK	RIICa
0008 830Ah	RIIC0	Slave Address Register L0	SARL0	8	8	2, 3 PCLKB	2 ICLK	RIICa
0008 830Bh	RIIC0	Slave Address Register U0	SARU0	8	8	2, 3 PCLKB	2 ICLK	RIICa
0008 830Ch	RIIC0	Slave Address Register L1	SARL1	8	8	2, 3 PCLKB	2 ICLK	RIICa
0008 830Dh	RIIC0	Slave Address Register U1	SARU1	8	8	2, 3 PCLKB	2 ICLK	RIICa
0008 830Eh	RIIC0	Slave Address Register L2	SARL2	8	8	2, 3 PCLKB	2 ICLK	RIICa
0008 830Fh	RIIC0	Slave Address Register U2	SARU2	8	8	2, 3 PCLKB	2 ICLK	RIICa
0008 8310h	RIIC0	I <sup>2</sup> C-bus Bit Rate Low-Level Register	ICBRL	8	8	2, 3 PCLKB	2 ICLK	RIICa
0008 8311h	RIIC0	I <sup>2</sup> C-bus Bit Rate High-Level Register	ICBRH	8	8	2, 3 PCLKB	2 ICLK	RIICa
0008 8312h	RIIC0	I <sup>2</sup> C-bus Transmit Data Register	ICDRT	8	8	2, 3 PCLKB	2 ICLK	RIICa
0008 8313h	RIIC0	I <sup>2</sup> C-bus Receive Data Register	ICDRR	8	8	2, 3 PCLKB	2 ICLK	RIICa
0008 9000h	S12AD	A/D Control Register	ADCSR	16	16	2, 3 PCLKB	2 ICLK	S12ADH
0008 9004h	S12AD	A/D Channel Select Register A0	ADANSA0	16	16	2, 3 PCLKB	2 ICLK	S12ADH
0008 9008h	S12AD	A/D-Converted Value Addition/Average Function Channel Select Register 0	ADADS0	16	16	2, 3 PCLKB	2 ICLK	S12ADH
0008 900Ch	S12AD	A/D-Converted Value Addition/Average Count Select Register	ADADC	8	8	2, 3 PCLKB	2 ICLK	S12ADH
0008 900Eh	S12AD	A/D Control Extended Register	ADCER	16	16	2, 3 PCLKB	2 ICLK	S12ADH
0008 9010h	S12AD	A/D Conversion Start Trigger Select Register	ADSTRGR	16	16	2, 3 PCLKB	2 ICLK	S12ADH
0008 9014h	S12AD	A/D Channel Select Register B0	ADANSB0	16	16	2, 3 PCLKB	2 ICLK	S12ADH
0008 9018h	S12AD	A/D Data Duplication Register	ADBLDR	16	16	2, 3 PCLKB	2 ICLK	S12ADH
0008 901Eh	S12AD	A/D Self-Diagnosis Data Register	ADRD	16	16	2, 3 PCLKB	2 ICLK	S12ADH
0008 9020h	S12AD	A/D Data Register 0	ADDR0	16	16	2, 3 PCLKB	2 ICLK	S12ADH
0008 9022h	S12AD	A/D Data Register 1	ADDR1	16	16	2, 3 PCLKB	2 ICLK	S12ADH
0008 9024h	S12AD	A/D Data Register 2	ADDR2	16	16	2, 3 PCLKB	2 ICLK	S12ADH
0008 9026h	S12AD	A/D Data Register 3	ADDR3	16	16	2, 3 PCLKB	2 ICLK	S12ADH
0008 9028h	S12AD	A/D Data Register 4	ADDR4	16	16	2, 3 PCLKB	2 ICLK	S12ADH
0008 902Ah	S12AD	A/D Data Register 5	ADDR5	16	16	2, 3 PCLKB	2 ICLK	S12ADH
0008 902Ch	S12AD	A/D Data Register 6	ADDR6	16	16	2, 3 PCLKB	2 ICLK	S12ADH
0008 902Eh	S12AD	A/D Data Register 7	ADDR7	16	16	2, 3 PCLKB	2 ICLK	S12ADH
0008 9066h	S12AD	A/D Sample-and-Hold Circuit Control Register	ADSHCR	16	16	2, 3 PCLKB	2 ICLK	S12ADH
0008 907Ah	S12AD	A/D Disconnection Detection Control Register	ADDISCR	8	8	2, 3 PCLKB	2 ICLK	S12ADH
0008 907Ch	S12AD	A/D Sample-and-Hold Operating Mode Select Register	ADSHMSR	8	8	2, 3 PCLKB	2 ICLK	S12ADH
0008 907Dh	S12AD	A/D Event Link Control Register	ADELCCR	8	8	2, 3 PCLKB	2 ICLK	S12ADH



**Table 4.1 List of I/O Registers (Address Order) (12 / 56)**

Address	Module Symbol	Register Name	Register Symbol	Number of Bits	Access Size	Number of Access Cycles		Related Function
						ICLK ≥ PCLK	ICLK < PCLK	
0008 9080h	S12AD	A/D Group Scan Priority Control Register	ADGSPCR	16	16	2, 3 PCLKB	2 ICLK	S12ADH
0008 9084h	S12AD	A/D Data Duplication Register A	ADDBLDRA	16	16	2, 3 PCLKB	2 ICLK	S12ADH
0008 9086h	S12AD	A/D Data Duplication Register B	ADDBLDRB	16	16	2, 3 PCLKB	2 ICLK	S12ADH
0008 908Ch	S12AD	A/D Comparison Function Window A/B Status Monitoring Register	ADWINMON	8	8	2, 3 PCLKB	2 ICLK	S12ADH
0008 9090h	S12AD	A/D Compare Control Register	ADCMPCR	16	16	2, 3 PCLKB	2 ICLK	S12ADH
0008 9094h	S12AD	A/D Comparison Function Window A Channel Select Register 0	ADCMPSR0	16	16	2, 3 PCLKB	2 ICLK	S12ADH
0008 9098h	S12AD	A/D Comparison Function Window A Comparison Condition Setting Register 0	ADCMPLR0	16	16	2, 3 PCLKB	2 ICLK	S12ADH
0008 909Ch	S12AD	A/D Comparison Function Window A Lower Level Setting Register	ADCMPLR0	16	16	2, 3 PCLKB	2 ICLK	S12ADH
0008 909Eh	S12AD	A/D Comparison Function Window A Upper Level Setting Register	ADCMPLR1	16	16	2, 3 PCLKB	2 ICLK	S12ADH
0008 90A0h	S12AD	A/D Comparison Function Window A Channel Status Register 0	ADCMPSR0	16	16	2, 3 PCLKB	2 ICLK	S12ADH
0008 90A6h	S12AD	A/D Comparison Function Window B Channel Select Register	ADCMPSNR	8	8	2, 3 PCLKB	2 ICLK	S12ADH
0008 90A8h	S12AD	A/D Comparison Function Window B Lower Level Setting Register	ADWINLLB	16	16	2, 3 PCLKB	2 ICLK	S12ADH
0008 90AAh	S12AD	A/D Comparison Function Window B Upper Level Setting Register	ADWINULB	16	16	2, 3 PCLKB	2 ICLK	S12ADH
0008 90ACh	S12AD	A/D Comparison Function Window B Channel Status Register	ADCMPSR	8	8	2, 3 PCLKB	2 ICLK	S12ADH
0008 90D4h	S12AD	A/D Channel Select Register C0	ADANSC0	16	16	2, 3 PCLKB	2 ICLK	S12ADH
0008 90D9h	S12AD	A/D Group C Trigger Select Register	ADGCTRGR	8	8	2, 3 PCLKB	2 ICLK	S12ADH
0008 90E0h	S12AD	A/D Sampling State Register 0	ADSSTR0	8	8	2, 3 PCLKB	2 ICLK	S12ADH
0008 90E1h	S12AD	A/D Sampling State Register 1	ADSSTR1	8	8	2, 3 PCLKB	2 ICLK	S12ADH
0008 90E2h	S12AD	A/D Sampling State Register 2	ADSSTR2	8	8	2, 3 PCLKB	2 ICLK	S12ADH
0008 90E3h	S12AD	A/D Sampling State Register 3	ADSSTR3	8	8	2, 3 PCLKB	2 ICLK	S12ADH
0008 90E4h	S12AD	A/D Sampling State Register 4	ADSSTR4	8	8	2, 3 PCLKB	2 ICLK	S12ADH
0008 90E5h	S12AD	A/D Sampling State Register 5	ADSSTR5	8	8	2, 3 PCLKB	2 ICLK	S12ADH
0008 90E6h	S12AD	A/D Sampling State Register 6	ADSSTR6	8	8	2, 3 PCLKB	2 ICLK	S12ADH
0008 90E7h	S12AD	A/D Sampling State Register 7	ADSSTR7	8	8	2, 3 PCLKB	2 ICLK	S12ADH
0008 91A0h	S12AD	A/D Programmable Gain Amplifier Control Register	ADPGACR	16	16	2, 3 PCLKB	2 ICLK	S12ADH
0008 91A2h	S12AD	A/D Programmable Gain Amplifier Gain Setting Register 0	ADPGAGS0	16	16	2, 3 PCLKB	2 ICLK	S12ADH
0008 91B0h	S12AD	A/D Programmable Gain Amplifier Differential Input Control Register	ADPGADCR0	16	16	2, 3 PCLKB	2 ICLK	S12ADH
0008 91C0h	S12AD	A/D Channel Conversion Order Setting Register 0	ADSCS0	8	8	2, 3 PCLKB	2 ICLK	S12ADH
0008 91C1h	S12AD	A/D Channel Conversion Order Setting Register 1	ADSCS1	8	8	2, 3 PCLKB	2 ICLK	S12ADH
0008 91C2h	S12AD	A/D Channel Conversion Order Setting Register 2	ADSCS2	8	8	2, 3 PCLKB	2 ICLK	S12ADH
0008 91C3h	S12AD	A/D Channel Conversion Order Setting Register 3	ADSCS3	8	8	2, 3 PCLKB	2 ICLK	S12ADH
0008 91C4h	S12AD	A/D Channel Conversion Order Setting Register 4	ADSCS4	8	8	2, 3 PCLKB	2 ICLK	S12ADH
0008 91C5h	S12AD	A/D Channel Conversion Order Setting Register 5	ADSCS5	8	8	2, 3 PCLKB	2 ICLK	S12ADH
0008 91C6h	S12AD	A/D Channel Conversion Order Setting Register 6	ADSCS6	8	8	2, 3 PCLKB	2 ICLK	S12ADH
0008 91C7h	S12AD	A/D Channel Conversion Order Setting Register 7	ADSCS7	8	8	2, 3 PCLKB	2 ICLK	S12ADH
0008 9200h	S12AD1	A/D Control Register	ADCSR	16	16	2, 3 PCLKB	2 ICLK	S12ADH
0008 9204h	S12AD1	A/D Channel Select Register A0	ADANSA0	16	16	2, 3 PCLKB	2 ICLK	S12ADH
0008 9208h	S12AD1	A/D-Converted Value Addition/Average Function Channel Select Register 0	ADADS0	16	16	2, 3 PCLKB	2 ICLK	S12ADH
0008 920Ch	S12AD1	A/D-Converted Value Addition/Average Count Select Register	ADADC	8	8	2, 3 PCLKB	2 ICLK	S12ADH
0008 920Eh	S12AD1	A/D Control Extended Register	ADCER	16	16	2, 3 PCLKB	2 ICLK	S12ADH
0008 9210h	S12AD1	A/D Conversion Start Trigger Select Register	ADSTRGR	16	16	2, 3 PCLKB	2 ICLK	S12ADH
0008 9214h	S12AD1	A/D Channel Select Register B0	ADANSB0	16	16	2, 3 PCLKB	2 ICLK	S12ADH

**Table 4.1 List of I/O Registers (Address Order) (13 / 56)**

Address	Module Symbol	Register Name	Register Symbol	Number of Bits	Access Size	Number of Access Cycles		Related Function
						ICLK ≥ PCLK	ICLK < PCLK	
0008 9218h	S12AD1	A/D Data Duplication Register	ADDBLDR	16	16	2, 3 PCLKB	2 ICLK	S12ADH
0008 921Eh	S12AD1	A/D Self-Diagnosis Data Register	ADRD	16	16	2, 3 PCLKB	2 ICLK	S12ADH
0008 9220h	S12AD1	A/D Data Register 0	ADDR0	16	16	2, 3 PCLKB	2 ICLK	S12ADH
0008 9222h	S12AD1	A/D Data Register 1	ADDR1	16	16	2, 3 PCLKB	2 ICLK	S12ADH
0008 9224h	S12AD1	A/D Data Register 2	ADDR2	16	16	2, 3 PCLKB	2 ICLK	S12ADH
0008 9226h	S12AD1	A/D Data Register 3	ADDR3	16	16	2, 3 PCLKB	2 ICLK	S12ADH
0008 9228h	S12AD1	A/D Data Register 4	ADDR4	16	16	2, 3 PCLKB	2 ICLK	S12ADH
0008 922Ah	S12AD1	A/D Data Register 5	ADDR5	16	16	2, 3 PCLKB	2 ICLK	S12ADH
0008 922Ch	S12AD1	A/D Data Register 6	ADDR6	16	16	2, 3 PCLKB	2 ICLK	S12ADH
0008 922Eh	S12AD1	A/D Data Register 7	ADDR7	16	16	2, 3 PCLKB	2 ICLK	S12ADH
0008 9266h	S12AD1	A/D Sample-and-Hold Circuit Control Register	ADSHCR	16	16	2, 3 PCLKB	2 ICLK	S12ADH
0008 927Ah	S12AD1	A/D Disconnection Detection Control Register	ADDISCR	8	8	2, 3 PCLKB	2 ICLK	S12ADH
0008 927Ch	S12AD1	A/D Sample-and-Hold Operating Mode Select Register	ADSHMSR	8	8	2, 3 PCLKB	2 ICLK	S12ADH
0008 927Dh	S12AD1	A/D Event Link Control Register	ADELCCR	8	8	2, 3 PCLKB	2 ICLK	S12ADH
0008 9280h	S12AD1	A/D Group Scan Priority Control Register	ADGSPCR	16	16	2, 3 PCLKB	2 ICLK	S12ADH
0008 9284h	S12AD1	A/D Data Duplication Register A	ADDBLDRA	16	16	2, 3 PCLKB	2 ICLK	S12ADH
0008 9286h	S12AD1	A/D Data Duplication Register B	ADDBLDRB	16	16	2, 3 PCLKB	2 ICLK	S12ADH
0008 928Ch	S12AD1	A/D Comparison Function Window A/B Status Monitoring Register	ADWINMON	8	8	2, 3 PCLKB	2 ICLK	S12ADH
0008 9290h	S12AD1	A/D Comparison Function Control Register	ADCMPCR	16	16	2, 3 PCLKB	2 ICLK	S12ADH
0008 9294h	S12AD1	A/D Comparison Function Window A Channel Select Register 0	ADCMPANSR0	16	16	2, 3 PCLKB	2 ICLK	S12ADH
0008 9298h	S12AD1	A/D Comparison Function Window A Comparison Condition Setting Register 0	ADCMPLR0	16	16	2, 3 PCLKB	2 ICLK	S12ADH
0008 929Ch	S12AD1	A/D Comparison Function Window A Lower Level Setting Register	ADCMPDR0	16	16	2, 3 PCLKB	2 ICLK	S12ADH
0008 929Eh	S12AD1	A/D Comparison Function Window A Upper Level Setting Register	ADCMPDR1	16	16	2, 3 PCLKB	2 ICLK	S12ADH
0008 92A0h	S12AD1	A/D Comparison Function Window A Channel Status Register 0	ADCMPSR0	16	16	2, 3 PCLKB	2 ICLK	S12ADH
0008 92A6h	S12AD1	A/D Comparison Function Window B Channel Select Register	ADCMPBNSR	8	8	2, 3 PCLKB	2 ICLK	S12ADH
0008 92A8h	S12AD1	A/D Comparison Function Window B Lower Level Setting Register	ADWINLLB	16	16	2, 3 PCLKB	2 ICLK	S12ADH
0008 92AAh	S12AD1	A/D Comparison Function Window B Upper Level Setting Register	ADWINULB	16	16	2, 3 PCLKB	2 ICLK	S12ADH
0008 92ACh	S12AD1	A/D Comparison Function Window B Channel Status Register	ADCMPBSR	8	8	2, 3 PCLKB	2 ICLK	S12ADH
0008 92D4h	S12AD1	A/D Channel Select Register C0	ADANSC0	16	16	2, 3 PCLKB	2 ICLK	S12ADH
0008 92D9h	S12AD1	A/D Group C Trigger Select Register	ADGCTRGR	8	8	2, 3 PCLKB	2 ICLK	S12ADH
0008 92E0h	S12AD1	A/D Sampling State Register 0	ADSSTR0	8	8	2, 3 PCLKB	2 ICLK	S12ADH
0008 92E1h	S12AD1	A/D Sampling State Register 1	ADSSTR1	8	8	2, 3 PCLKB	2 ICLK	S12ADH
0008 92E2h	S12AD1	A/D Sampling State Register 2	ADSSTR2	8	8	2, 3 PCLKB	2 ICLK	S12ADH
0008 92E3h	S12AD1	A/D Sampling State Register 3	ADSSTR3	8	8	2, 3 PCLKB	2 ICLK	S12ADH
0008 92E4h	S12AD1	A/D Sampling State Register 4	ADSSTR4	8	8	2, 3 PCLKB	2 ICLK	S12ADH
0008 92E5h	S12AD1	A/D Sampling State Register 5	ADSSTR5	8	8	2, 3 PCLKB	2 ICLK	S12ADH
0008 92E6h	S12AD1	A/D Sampling State Register 6	ADSSTR6	8	8	2, 3 PCLKB	2 ICLK	S12ADH
0008 92E7h	S12AD1	A/D Sampling State Register 7	ADSSTR7	8	8	2, 3 PCLKB	2 ICLK	S12ADH
0008 93A0h	S12AD1	A/D Programmable Gain Amplifier Control Register	ADPGACR	16	16	2, 3 PCLKB	2 ICLK	S12ADH
0008 93A2h	S12AD1	A/D Programmable Gain Amplifier Gain Setting Register 0	ADPGAGS0	16	16	2, 3 PCLKB	2 ICLK	S12ADH
0008 93B0h	S12AD1	A/D Programmable Gain Amplifier Differential Input Control Register	ADPGADCR0	16	16	2, 3 PCLKB	2 ICLK	S12ADH
0008 93C0h	S12AD1	A/D Channel Conversion Order Setting Register 0	ADSCS0	8	8	2, 3 PCLKB	2 ICLK	S12ADH
0008 93C1h	S12AD1	A/D Channel Conversion Order Setting Register 1	ADSCS1	8	8	2, 3 PCLKB	2 ICLK	S12ADH

Table 4.1 List of I/O Registers (Address Order) (14 / 56)

Address	Module Symbol	Register Name	Register Symbol	Number of Bits	Access Size	Number of Access Cycles		Related Function
						ICLK ≥ PCLK	ICLK < PCLK	
0008 93C2h	S12AD1	A/D Channel Conversion Order Setting Register 2	ADSCS2	8	8	2, 3 PCLKB	2 ICLK	S12ADH
0008 93C3h	S12AD1	A/D Channel Conversion Order Setting Register 3	ADSCS3	8	8	2, 3 PCLKB	2 ICLK	S12ADH
0008 93C4h	S12AD1	A/D Channel Conversion Order Setting Register 4	ADSCS4	8	8	2, 3 PCLKB	2 ICLK	S12ADH
0008 93C5h	S12AD1	A/D Channel Conversion Order Setting Register 5	ADSCS5	8	8	2, 3 PCLKB	2 ICLK	S12ADH
0008 93C6h	S12AD1	A/D Channel Conversion Order Setting Register 6	ADSCS6	8	8	2, 3 PCLKB	2 ICLK	S12ADH
0008 93C7h	S12AD1	A/D Channel Conversion Order Setting Register 7	ADSCS7	8	8	2, 3 PCLKB	2 ICLK	S12ADH
0008 9400h	S12AD2	A/D Control Register	ADCSR	16	16	2, 3 PCLKB	2 ICLK	S12ADH
0008 9404h	S12AD2	A/D Channel Select Register A0	ADANSA0	16	16	2, 3 PCLKB	2 ICLK	S12ADH
0008 9406h	S12AD2	A/D Channel Select Register A1	ADANSA1	16	16	2, 3 PCLKB	2 ICLK	S12ADH
0008 9408h	S12AD2	A/D-Converted Value Addition/Average Function Channel Select Register 0	ADADS0	16	16	2, 3 PCLKB	2 ICLK	S12ADH
0008 940Ah	S12AD2	A/D-Converted Value Addition/Average Function Channel Select Register 1	ADADS1	16	16	2, 3 PCLKB	2 ICLK	S12ADH
0008 940Ch	S12AD2	A/D-Converted Value Addition/Average Count Select Register	ADADC	8	8	2, 3 PCLKB	2 ICLK	S12ADH
0008 940Eh	S12AD2	A/D Control Extended Register	ADCER	16	16	2, 3 PCLKB	2 ICLK	S12ADH
0008 9410h	S12AD2	A/D Conversion Start Trigger Select Register	ADSTRGR	16	16	2, 3 PCLKB	2 ICLK	S12ADH
0008 9412h	S12AD2	A/D Conversion Extended Input Control Register	ADEXICR	16	16	2, 3 PCLKB	2 ICLK	S12ADH
0008 9414h	S12AD2	A/D Channel Select Register B0	ADANSB0	16	16	2, 3 PCLKB	2 ICLK	S12ADH
0008 9416h	S12AD2	A/D Channel Select Register B1	ADANSB1	16	16	2, 3 PCLKB	2 ICLK	S12ADH
0008 9418h	S12AD2	A/D Data Duplication Register	ADBLDR	16	16	2, 3 PCLKB	2 ICLK	S12ADH
0008 941Ah	S12AD2	A/D Temperature Sensor Data Register	ADTSR	16	16	2, 3 PCLKB	2 ICLK	S12ADH
0008 941Ch	S12AD2	A/D Internal Reference Voltage Data Register	ADOCDR	16	16	2, 3 PCLKB	2 ICLK	S12ADH
0008 941Eh	S12AD2	A/D Self-Diagnosis Data Register	ADRD	16	16	2, 3 PCLKB	2 ICLK	S12ADH
0008 9420h	S12AD2	A/D Data Register 0	ADDR0	16	16	2, 3 PCLKB	2 ICLK	S12ADH
0008 9422h	S12AD2	A/D Data Register 1	ADDR1	16	16	2, 3 PCLKB	2 ICLK	S12ADH
0008 9424h	S12AD2	A/D Data Register 2	ADDR2	16	16	2, 3 PCLKB	2 ICLK	S12ADH
0008 9426h	S12AD2	A/D Data Register 3	ADDR3	16	16	2, 3 PCLKB	2 ICLK	S12ADH
0008 9428h	S12AD2	A/D Data Register 4	ADDR4	16	16	2, 3 PCLKB	2 ICLK	S12ADH
0008 942Ah	S12AD2	A/D Data Register 5	ADDR5	16	16	2, 3 PCLKB	2 ICLK	S12ADH
0008 942Ch	S12AD2	A/D Data Register 6	ADDR6	16	16	2, 3 PCLKB	2 ICLK	S12ADH
0008 942Eh	S12AD2	A/D Data Register 7	ADDR7	16	16	2, 3 PCLKB	2 ICLK	S12ADH
0008 9430h	S12AD2	A/D Data Register 8	ADDR8	16	16	2, 3 PCLKB	2 ICLK	S12ADH
0008 9432h	S12AD2	A/D Data Register 9	ADDR9	16	16	2, 3 PCLKB	2 ICLK	S12ADH
0008 9434h	S12AD2	A/D Data Register 10	ADDR10	16	16	2, 3 PCLKB	2 ICLK	S12ADH
0008 9436h	S12AD2	A/D Data Register 11	ADDR11	16	16	2, 3 PCLKB	2 ICLK	S12ADH
0008 9440h	S12AD2	A/D Data Register 16	ADDR16	16	16	2, 3 PCLKB	2 ICLK	S12ADH
0008 9442h	S12AD2	A/D Data Register 17	ADDR17	16	16	2, 3 PCLKB	2 ICLK	S12ADH
0008 947Ah	S12AD2	A/D Disconnection Detection Control Register	ADDISCR	8	8	2, 3 PCLKB	2 ICLK	S12ADH
0008 947Dh	S12AD2	A/D Event Link Control Register	ADELCCR	8	8	2, 3 PCLKB	2 ICLK	S12ADH
0008 9480h	S12AD2	A/D Group Scan Priority Control Register	ADGSPCR	16	16	2, 3 PCLKB	2 ICLK	S12ADH
0008 9484h	S12AD2	A/D Data Duplication Register A	ADBLDRA	16	16	2, 3 PCLKB	2 ICLK	S12ADH
0008 9486h	S12AD2	A/D Data Duplication Register B	ADBLDRB	16	16	2, 3 PCLKB	2 ICLK	S12ADH
0008 948Ch	S12AD2	A/D Comparison Function Window A/B Status Monitoring Register	ADWINMON	8	8	2, 3 PCLKB	2 ICLK	S12ADH
0008 9490h	S12AD2	A/D Comparison Function Control Register	ADCMPCR	16	16	2, 3 PCLKB	2 ICLK	S12ADH
0008 9492h	S12AD2	A/D Comparison Function Window A Extended Input Select Register	ADCMPANSE R	8	8	2, 3 PCLKB	2 ICLK	S12ADH
0008 9493h	S12AD2	A/D Comparison Function Window A Extended Input Comparison Condition Setting Register	ADCMPLE R	8	8	2, 3 PCLKB	2 ICLK	S12ADH
0008 9494h	S12AD2	A/D Comparison Function Window A Channel Select Register 0	ADCMPANSR 0	16	16	2, 3 PCLKB	2 ICLK	S12ADH

Table 4.1 List of I/O Registers (Address Order) (15 / 56)

Address	Module Symbol	Register Name	Register Symbol	Number of Bits	Access Size	Number of Access Cycles		Related Function
						ICLK ≥ PCLK	ICLK < PCLK	
0008 9496h	S12AD2	A/D Comparison Function Window A Channel Select Register 1	ADCMPSNR1	16	16	2, 3 PCLKB	2 ICLK	S12ADH
0008 9498h	S12AD2	A/D Comparison Function Window A Comparison Condition Setting Register 0	ADCMPLR0	16	16	2, 3 PCLKB	2 ICLK	S12ADH
0008 949Ah	S12AD2	A/D Comparison Function Window A Comparison Condition Setting Register 1	ADCMPLR1	16	16	2, 3 PCLKB	2 ICLK	S12ADH
0008 949Ch	S12AD2	A/D Comparison Function Window A Lower Level Setting Register	ADCMPPDR0	16	16	2, 3 PCLKB	2 ICLK	S12ADH
0008 949Eh	S12AD2	A/D Comparison Function Window A Upper Level Setting Register	ADCMPPDR1	16	16	2, 3 PCLKB	2 ICLK	S12ADH
0008 94A0h	S12AD2	A/D Comparison Function Window A Channel Status Register 0	ADCMPSR0	16	16	2, 3 PCLKB	2 ICLK	S12ADH
0008 94A2h	S12AD2	A/D Comparison Function Window A Channel Status Register 1	ADCMPSR1	16	16	2, 3 PCLKB	2 ICLK	S12ADH
0008 94A4h	S12AD2	A/D Comparison Function Window A Extended Input Channel Status Register	ADCMPSER	8	8	2, 3 PCLKB	2 ICLK	S12ADH
0008 94A6h	S12AD2	A/D Comparison Function Window B Channel Select Register	ADCMPBNSR	8	8	2, 3 PCLKB	2 ICLK	S12ADH
0008 94A8h	S12AD2	A/D Comparison Function Window B Lower Level Setting Register	ADWINLLB	16	16	2, 3 PCLKB	2 ICLK	S12ADH
0008 94AAh	S12AD2	A/D Comparison Function Window B Upper Level Setting Register	ADWINULB	16	16	2, 3 PCLKB	2 ICLK	S12ADH
0008 94ACh	S12AD2	A/D Comparison Function Window B Channel Status Register	ADCMPBSR	8	8	2, 3 PCLKB	2 ICLK	S12ADH
0008 94D4h	S12AD2	A/D Channel Select Register C0	ADANSC0	16	16	2, 3 PCLKB	2 ICLK	S12ADH
0008 94D6h	S12AD2	A/D Channel Select Register C1	ADANSC1	16	16	2, 3 PCLKB	2 ICLK	S12ADH
0008 94D8h	S12AD2	A/D Group C Extended Input Control Register	ADGEXCR	8	8	2, 3 PCLKB	2 ICLK	S12ADH
0008 94D9h	S12AD2	A/D Group C Trigger Select Register	ADGCTRGR	8	8	2, 3 PCLKB	2 ICLK	S12ADH
0008 94DDh	S12AD2	A/D Sampling State Register L	ADSSTRL	8	8	2, 3 PCLKB	2 ICLK	S12ADH
0008 94DEh	S12AD2	A/D Sampling State Register T	ADSSTRT	8	8	2, 3 PCLKB	2 ICLK	S12ADH
0008 94DFh	S12AD2	A/D Sampling State Register O	ADSSTRO	8	8	2, 3 PCLKB	2 ICLK	S12ADH
0008 94E0h	S12AD2	A/D Sampling State Register 0	ADSSTR0	8	8	2, 3 PCLKB	2 ICLK	S12ADH
0008 94E1h	S12AD2	A/D Sampling State Register 1	ADSSTR1	8	8	2, 3 PCLKB	2 ICLK	S12ADH
0008 94E2h	S12AD2	A/D Sampling State Register 2	ADSSTR2	8	8	2, 3 PCLKB	2 ICLK	S12ADH
0008 94E3h	S12AD2	A/D Sampling State Register 3	ADSSTR3	8	8	2, 3 PCLKB	2 ICLK	S12ADH
0008 94E4h	S12AD2	A/D Sampling State Register 4	ADSSTR4	8	8	2, 3 PCLKB	2 ICLK	S12ADH
0008 94E5h	S12AD2	A/D Sampling State Register 5	ADSSTR5	8	8	2, 3 PCLKB	2 ICLK	S12ADH
0008 94E6h	S12AD2	A/D Sampling State Register 6	ADSSTR6	8	8	2, 3 PCLKB	2 ICLK	S12ADH
0008 94E7h	S12AD2	A/D Sampling State Register 7	ADSSTR7	8	8	2, 3 PCLKB	2 ICLK	S12ADH
0008 94E8h	S12AD2	A/D Sampling State Register 8	ADSSTR8	8	8	2, 3 PCLKB	2 ICLK	S12ADH
0008 94E9h	S12AD2	A/D Sampling State Register 9	ADSSTR9	8	8	2, 3 PCLKB	2 ICLK	S12ADH
0008 94EAh	S12AD2	A/D Sampling State Register 10	ADSSTR10	8	8	2, 3 PCLKB	2 ICLK	S12ADH
0008 94EBh	S12AD2	A/D Sampling State Register 11	ADSSTR11	8	8	2, 3 PCLKB	2 ICLK	S12ADH
0008 95C0h	S12AD2	A/D Channel Conversion Order Setting Register 0	ADSCS0	8	8	2, 3 PCLKB	2 ICLK	S12ADH
0008 95C1h	S12AD2	A/D Channel Conversion Order Setting Register 1	ADSCS1	8	8	2, 3 PCLKB	2 ICLK	S12ADH
0008 95C2h	S12AD2	A/D Channel Conversion Order Setting Register 2	ADSCS2	8	8	2, 3 PCLKB	2 ICLK	S12ADH
0008 95C3h	S12AD2	A/D Channel Conversion Order Setting Register 3	ADSCS3	8	8	2, 3 PCLKB	2 ICLK	S12ADH
0008 95C4h	S12AD2	A/D Channel Conversion Order Setting Register 4	ADSCS4	8	8	2, 3 PCLKB	2 ICLK	S12ADH
0008 95C5h	S12AD2	A/D Channel Conversion Order Setting Register 5	ADSCS5	8	8	2, 3 PCLKB	2 ICLK	S12ADH
0008 95C6h	S12AD2	A/D Channel Conversion Order Setting Register 6	ADSCS6	8	8	2, 3 PCLKB	2 ICLK	S12ADH
0008 95C7h	S12AD2	A/D Channel Conversion Order Setting Register 7	ADSCS7	8	8	2, 3 PCLKB	2 ICLK	S12ADH
0008 95C8h	S12AD2	A/D Channel Conversion Order Setting Register 8	ADSCS8	8	8	2, 3 PCLKB	2 ICLK	S12ADH
0008 95C9h	S12AD2	A/D Channel Conversion Order Setting Register 9	ADSCS9	8	8	2, 3 PCLKB	2 ICLK	S12ADH
0008 95CAh	S12AD2	A/D Channel Conversion Order Setting Register 10	ADSCS10	8	8	2, 3 PCLKB	2 ICLK	S12ADH
0008 95CBh	S12AD2	A/D Channel Conversion Order Setting Register 11	ADSCS11	8	8	2, 3 PCLKB	2 ICLK	S12ADH

**Table 4.1 List of I/O Registers (Address Order) (16 / 56)**

Address	Module Symbol	Register Name	Register Symbol	Number of Bits	Access Size	Number of Access Cycles		Related Function
						ICLK ≥ PCLKB	ICLK < PCLKB	
0008 95D0h	S12AD2	A/D Channel Conversion Order Setting Register 12	ADSCS12	8	8	2, 3 PCLKB	2 ICLK	S12ADH
0008 95D1h	S12AD2	A/D Channel Conversion Order Setting Register 13	ADSCS13	8	8	2, 3 PCLKB	2 ICLK	S12ADH
0008 95E2h	S12AD2	A/D Internal Reference Voltage Monitoring Circuit Enable Register	ADVMONCR	8	8	2, 3 PCLKB	2 ICLK	S12ADH
0008 95E4h	S12AD2	A/D Internal Reference Voltage Monitoring Circuit Output Enable Register	ADVMONO	8	8	2, 3 PCLKB	2 ICLK	S12ADH
0008 A020h	SCI1	Serial Mode Register	SMR	8	8	2, 3 PCLKB	2 ICLK	SCIj, SCIi, SCIh
0008 A020h	SMCI1	Serial Mode Register	SMR	8	8	2, 3 PCLKB	2 ICLK	SCIj, SCIi, SCIh
0008 A021h	SCI1	Bit Rate Register	BRR	8	8	2, 3 PCLKB	2 ICLK	SCIj, SCIi, SCIh
0008 A022h	SCI1	Serial Control Register	SCR	8	8	2, 3 PCLKB	2 ICLK	SCIj, SCIi, SCIh
0008 A022h	SMCI1	Serial Control Register	SCR	8	8	2, 3 PCLKB	2 ICLK	SCIj, SCIi, SCIh
0008 A023h	SCI1	Transmit Data Register	TDR	8	8	2, 3 PCLKB	2 ICLK	SCIj, SCIi, SCIh
0008 A024h	SCI1	Serial Status Register	SSR	8	8	2, 3 PCLKB	2 ICLK	SCIj, SCIi, SCIh
0008 A024h	SMCI1	Serial Status Register	SSR	8	8	2, 3 PCLKB	2 ICLK	SCIj, SCIi, SCIh
0008 A025h	SCI1	Receive Data Register	RDR	8	8	2, 3 PCLKB	2 ICLK	SCIj, SCIi, SCIh
0008 A026h	SMCI1	Smart Card Mode Register	SCMR	8	8	2, 3 PCLKB	2 ICLK	SCIj, SCIi, SCIh
0008 A027h	SCI1	Serial Extended Mode Register	SEMR	8	8	2, 3 PCLKB	2 ICLK	SCIj, SCIi, SCIh
0008 A028h	SCI1	Noise Filter Setting Register	SNFR	8	8	2, 3 PCLKB	2 ICLK	SCIj, SCIi, SCIh
0008 A029h	SCI1	I <sup>2</sup> C Mode Register 1	SIMR1	8	8	2, 3 PCLKB	2 ICLK	SCIj, SCIi, SCIh
0008 A02Ah	SCI1	I <sup>2</sup> C Mode Register 2	SIMR2	8	8	2, 3 PCLKB	2 ICLK	SCIj, SCIi, SCIh
0008 A02Bh	SCI1	I <sup>2</sup> C Mode Register 3	SIMR3	8	8	2, 3 PCLKB	2 ICLK	SCIj, SCIi, SCIh
0008 A02Ch	SCI1	I <sup>2</sup> C Status Register	SISR	8	8	2, 3 PCLKB	2 ICLK	SCIj, SCIi, SCIh
0008 A02Dh	SCI1	SPI Mode Register	SPMR	8	8	2, 3 PCLKB	2 ICLK	SCIj, SCIi, SCIh
0008 A02Eh	SCI1	Transmit Data Register H	TDRH	8	8	2, 3 PCLKB	2 ICLK	SCIj, SCIi, SCIh
0008 A02Fh	SCI1	Transmit Data Register L	TDRL	8	8	2, 3 PCLKB	2 ICLK	SCIj, SCIi, SCIh
0008 A02Eh	SCI1	Transmit Data Register HL	TDRHL	16	8, 16	2 to 5 PCLKB	2 ICLK	SCIj, SCIi, SCIh
0008 A030h	SCI1	Receive Data Register H	RDRH	8	8	2, 3 PCLKB	2 ICLK	SCIj, SCIi, SCIh

**Table 4.1 List of I/O Registers (Address Order) (17 / 56)**

Address	Module Symbol	Register Name	Register Symbol	Number of Bits	Access Size	Number of Access Cycles		Related Function
						ICLK ≥ PCLK	ICLK < PCLK	
0008 A031h	SCI1	Receive Data Register L	RDR.L	8	8	2, 3 PCLKB	2 ICLK	SCIj, SCli, SClh
0008 A030h	SCI1	Receive Data Register HL	RDR.HL	16	8, 16	2 to 5 PCLKB	2 ICLK	SCIj, SCli, SClh
0008 A032h	SCI1	Modulation Duty Register	MDDR	8	8	2, 3 PCLKB	2 ICLK	SCIj, SCli, SClh
0008 A033h	SCI1	Data Comparison Control Register	DCCR	8	8	2, 3 PCLKB	2 ICLK	SCIj, SCli, SClh
0008 A03Ah	SCI1	Comparison Data Register H	CDR.H	8	8	2, 3 PCLKB	2 ICLK	SCIj, SCli, SClh
0008 A03Bh	SCI1	Comparison Data Register L	CDR.L	8	8	2, 3 PCLKB	2 ICLK	SCIj, SCli, SClh
0008 A03Ah	SCI1	Comparison Data Register	CDR	16	8, 16	2 to 5 PCLKB	2 ICLK	SCIj, SCli, SClh
0008 A03Ch	SCI1	Serial Port Register	SPTR	8	8	2, 3 PCLKB	2 ICLK	SCIj, SCli, SClh
0008 A0A0h	SCI5	Serial Mode Register	SMR	8	8	2, 3 PCLKB	2 ICLK	SCIj, SCli, SClh
0008 A0A0h	SMCI5	Serial Mode Register	SMR	8	8	2, 3 PCLKB	2 ICLK	SCIj, SCli, SClh
0008 A0A1h	SCI5	Bit Rate Register	BRR	8	8	2, 3 PCLKB	2 ICLK	SCIj, SCli, SClh
0008 A0A2h	SCI5	Serial Control Register	SCR	8	8	2, 3 PCLKB	2 ICLK	SCIj, SCli, SClh
0008 A0A2h	SMCI5	Serial Control Register	SCR	8	8	2, 3 PCLKB	2 ICLK	SCIj, SCli, SClh
0008 A0A3h	SCI5	Transmit Data Register	TDR	8	8	2, 3 PCLKB	2 ICLK	SCIj, SCli, SClh
0008 A0A4h	SCI5	Serial Status Register	SSR	8	8	2, 3 PCLKB	2 ICLK	SCIj, SCli, SClh
0008 A0A4h	SMCI5	Serial Status Register	SSR	8	8	2, 3 PCLKB	2 ICLK	SCIj, SCli, SClh
0008 A0A5h	SCI5	Receive Data Register	RDR	8	8	2, 3 PCLKB	2 ICLK	SCIj, SCli, SClh
0008 A0A6h	SMCI5	Smart Card Mode Register	SCMR	8	8	2, 3 PCLKB	2 ICLK	SCIj, SCli, SClh
0008 A0A7h	SCI5	Serial Extended Mode Register	SEMR	8	8	2, 3 PCLKB	2 ICLK	SCIj, SCli, SClh
0008 A0A8h	SCI5	Noise Filter Setting Register	SNFR	8	8	2, 3 PCLKB	2 ICLK	SCIj, SCli, SClh
0008 A0A9h	SCI5	I <sup>2</sup> C Mode Register 1	SIMR1	8	8	2, 3 PCLKB	2 ICLK	SCIj, SCli, SClh
0008 A0AAh	SCI5	I <sup>2</sup> C Mode Register 2	SIMR2	8	8	2, 3 PCLKB	2 ICLK	SCIj, SCli, SClh
0008 A0ABh	SCI5	I <sup>2</sup> C Mode Register 3	SIMR3	8	8	2, 3 PCLKB	2 ICLK	SCIj, SCli, SClh



**Table 4.1 List of I/O Registers (Address Order) (18 / 56)**

Address	Module Symbol	Register Name	Register Symbol	Number of Bits	Access Size	Number of Access Cycles		Related Function
						ICLK ≥ PCLK	ICLK < PCLK	
0008 A0ACh	SCI5	I <sup>2</sup> C Status Register	SISR	8	8	2, 3 PCLKB	2 ICLK	SCIj, SCli, SClh
0008 A0ADh	SCI5	SPI Mode Register	SPMR	8	8	2, 3 PCLKB	2 ICLK	SCIj, SCli, SClh
0008 A0AEh	SCI5	Transmit Data Register H	TDRH	8	8	2, 3 PCLKB	2 ICLK	SCIj, SCli, SClh
0008 A0AFh	SCI5	Transmit Data Register L	TDRL	8	8	2, 3 PCLKB	2 ICLK	SCIj, SCli, SClh
0008 A0AEh	SCI5	Transmit Data Register HL	TDRHL	16	8, 16	2 to 5 PCLKB	2 ICLK	SCIj, SCli, SClh
0008 A0B0h	SCI5	Receive Data Register H	RDRH	8	8	2, 3 PCLKB	2 ICLK	SCIj, SCli, SClh
0008 A0B1h	SCI5	Receive Data Register L	RDRL	8	8	2, 3 PCLKB	2 ICLK	SCIj, SCli, SClh
0008 A0B0h	SCI5	Receive Data Register HL	RDRHL	16	8, 16	2 to 5 PCLKB	2 ICLK	SCIj, SCli, SClh
0008 A0B2h	SCI5	Modulation Duty Register	MDDR	8	8	2, 3 PCLKB	2 ICLK	SCIj, SCli, SClh
0008 A0B3h	SCI5	Data Comparison Control Register	DCCR	8	8	2, 3 PCLKB	2 ICLK	SCIj, SCli, SClh
0008 A0BAh	SCI5	Comparison Data Register H	CDR.H	8	8	2, 3 PCLKB	2 ICLK	SCIj, SCli, SClh
0008 A0BBh	SCI5	Comparison Data Register L	CDR.L	8	8	2, 3 PCLKB	2 ICLK	SCIj, SCli, SClh
0008 A0BAh	SCI5	Comparison Data Register	CDR	16	8, 16	2 to 5 PCLKB	2 ICLK	SCIj, SCli, SClh
0008 A0BCh	SCI5	Serial Port Register	SPTR	8	8	2, 3 PCLKB	2 ICLK	SCIj, SCli, SClh
0008 A0C0h	SCI6	Serial Mode Register	SMR	8	8	2, 3 PCLKB	2 ICLK	SCIj, SCli, SClh
0008 A0C0h	SMCI6	Serial Mode Register	SMR	8	8	2, 3 PCLKB	2 ICLK	SCIj, SCli, SClh
0008 A0C1h	SCI6	Bit Rate Register	BRR	8	8	2, 3 PCLKB	2 ICLK	SCIj, SCli, SClh
0008 A0C2h	SCI6	Serial Control Register	SCR	8	8	2, 3 PCLKB	2 ICLK	SCIj, SCli, SClh
0008 A0C2h	SMCI6	Serial Control Register	SCR	8	8	2, 3 PCLKB	2 ICLK	SCIj, SCli, SClh
0008 A0C3h	SCI6	Transmit Data Register	TDR	8	8	2, 3 PCLKB	2 ICLK	SCIj, SCli, SClh
0008 A0C4h	SCI6	Serial Status Register	SSR	8	8	2, 3 PCLKB	2 ICLK	SCIj, SCli, SClh
0008 A0C4h	SMCI6	Serial Status Register	SSR	8	8	2, 3 PCLKB	2 ICLK	SCIj, SCli, SClh
0008 A0C5h	SCI6	Receive Data Register	RDR	8	8	2, 3 PCLKB	2 ICLK	SCIj, SCli, SClh

**Table 4.1 List of I/O Registers (Address Order) (19 / 56)**

Address	Module Symbol	Register Name	Register Symbol	Number of Bits	Access Size	Number of Access Cycles		Related Function
						ICLK ≥ PCLK	ICLK < PCLK	
0008 A0C6h	SMCI6	Smart Card Mode Register	SCMR	8	8	2, 3 PCLKB	2 ICLK	SCIj, SCli, SClh
0008 A0C7h	SCI6	Serial Extended Mode Register	SEMR	8	8	2, 3 PCLKB	2 ICLK	SCIj, SCli, SClh
0008 A0C8h	SCI6	Noise Filter Setting Register	SNFR	8	8	2, 3 PCLKB	2 ICLK	SCIj, SCli, SClh
0008 A0C9h	SCI6	I <sup>2</sup> C Mode Register 1	SIMR1	8	8	2, 3 PCLKB	2 ICLK	SCIj, SCli, SClh
0008 A0CAh	SCI6	I <sup>2</sup> C Mode Register 2	SIMR2	8	8	2, 3 PCLKB	2 ICLK	SCIj, SCli, SClh
0008 A0CBh	SCI6	I <sup>2</sup> C Mode Register 3	SIMR3	8	8	2, 3 PCLKB	2 ICLK	SCIj, SCli, SClh
0008 A0CCh	SCI6	I <sup>2</sup> C Status Register	SISR	8	8	2, 3 PCLKB	2 ICLK	SCIj, SCli, SClh
0008 A0CDh	SCI6	SPI Mode Register	SPMR	8	8	2, 3 PCLKB	2 ICLK	SCIj, SCli, SClh
0008 A0CEh	SCI6	Transmit Data Register H	TDRH	8	8	2, 3 PCLKB	2 ICLK	SCIj, SCli, SClh
0008 A0CFh	SCI6	Transmit Data Register L	TDRL	8	8	2, 3 PCLKB	2 ICLK	SCIj, SCli, SClh
0008 A0CEh	SCI6	Transmit Data Register HL	TDRHL	16	8, 16	2 to 5 PCLKB	2 ICLK	SCIj, SCli, SClh
0008 A0D0h	SCI6	Receive Data Register H	RDRH	8	8	2, 3 PCLKB	2 ICLK	SCIj, SCli, SClh
0008 A0D1h	SCI6	Receive Data Register L	RDRL	8	8	2, 3 PCLKB	2 ICLK	SCIj, SCli, SClh
0008 A0D0h	SCI6	Receive Data Register HL	RDRHL	16	8, 16	2 to 5 PCLKB	2 ICLK	SCIj, SCli, SClh
0008 A0D2h	SCI6	Modulation Duty Register	MDDR	8	8	2, 3 PCLKB	2 ICLK	SCIj, SCli, SClh
0008 A0D3h	SCI6	Data Comparison Control Register	DCCR	8	8	2, 3 PCLKB	2 ICLK	SCIj, SCli, SClh
0008 A0DAh	SCI6	Comparison Data Register H	CDR.H	8	8	2, 3 PCLKB	2 ICLK	SCIj, SCli, SClh
0008 A0DBh	SCI6	Comparison Data Register L	CDR.L	8	8	2, 3 PCLKB	2 ICLK	SCIj, SCli, SClh
0008 A0DAh	SCI6	Comparison Data Register	CDR	16	8, 16	2 to 5 PCLKB	2 ICLK	SCIj, SCli, SClh
0008 A0DCh	SCI6	Serial Port Register	SPTR	8	8	2, 3 PCLKB	2 ICLK	SCIj, SCli, SClh
0008 A100h	SCI8	Serial Mode Register	SMR	8	8	2, 3 PCLKB	2 ICLK	SCIj, SCli, SClh
0008 A100h	SMCI8	Serial Mode Register	SMR	8	8	2, 3 PCLKB	2 ICLK	SCIj, SCli, SClh
0008 A101h	SCI8	Bit Rate Register	BRR	8	8	2, 3 PCLKB	2 ICLK	SCIj, SCli, SClh



**Table 4.1 List of I/O Registers (Address Order) (20 / 56)**

Address	Module Symbol	Register Name	Register Symbol	Number of Bits	Access Size	Number of Access Cycles		Related Function
						ICLK ≥ PCLK	ICLK < PCLK	
0008 A102h	SCI8	Serial Control Register	SCR	8	8	2, 3 PCLKB	2 ICLK	SCIj, SCli, SCih
0008 A102h	SMCI8	Serial Control Register	SCR	8	8	2, 3 PCLKB	2 ICLK	SCIj, SCli, SCih
0008 A103h	SCI8	Transmit Data Register	TDR	8	8	2, 3 PCLKB	2 ICLK	SCIj, SCli, SCih
0008 A104h	SCI8	Serial Status Register	SSR	8	8	2, 3 PCLKB	2 ICLK	SCIj, SCli, SCih
0008 A104h	SMCI8	Serial Status Register	SSR	8	8	2, 3 PCLKB	2 ICLK	SCIj, SCli, SCih
0008 A105h	SCI8	Receive Data Register	RDR	8	8	2, 3 PCLKB	2 ICLK	SCIj, SCli, SCih
0008 A106h	SMCI8	Smart Card Mode Register	SCMR	8	8	2, 3 PCLKB	2 ICLK	SCIj, SCli, SCih
0008 A107h	SCI8	Serial Extended Mode Register	SEMR	8	8	2, 3 PCLKB	2 ICLK	SCIj, SCli, SCih
0008 A108h	SCI8	Noise Filter Setting Register	SNFR	8	8	2, 3 PCLKB	2 ICLK	SCIj, SCli, SCih
0008 A109h	SCI8	I2C Mode Register 1	SIMR1	8	8	2, 3 PCLKB	2 ICLK	SCIj, SCli, SCih
0008 A10Ah	SCI8	I2C Mode Register 2	SIMR2	8	8	2, 3 PCLKB	2 ICLK	SCIj, SCli, SCih
0008 A10Bh	SCI8	I2C Mode Register 3	SIMR3	8	8	2, 3 PCLKB	2 ICLK	SCIj, SCli, SCih
0008 A10Ch	SCI8	I2C Status Register	SISR	8	8	2, 3 PCLKB	2 ICLK	SCIj, SCli, SCih
0008 A10Dh	SCI8	SPI Mode Register	SPMR	8	8	2, 3 PCLKB	2 ICLK	SCIj, SCli, SCih
0008 A10Eh	SCI8	Transmit Data Register H	TDRH	8	8	2, 3 PCLKB	2 ICLK	SCIj, SCli, SCih
0008 A10Fh	SCI8	Transmit Data Register L	TDRL	8	8	2, 3 PCLKB	2 ICLK	SCIj, SCli, SCih
0008 A10Eh	SCI8	Transmit Data Register HL	TDRHL	16	8, 16	2 to 5 PCLKB	2 ICLK	SCIj, SCli, SCih
0008 A110h	SCI8	Receive Data Register H	RDRH	8	8	2, 3 PCLKB	2 ICLK	SCIj, SCli, SCih
0008 A111h	SCI8	Receive Data Register L	RDRL	8	8	2, 3 PCLKB	2 ICLK	SCIj, SCli, SCih
0008 A110h	SCI8	Receive Data Register HL	RDRHL	16	8, 16	2 to 5 PCLKB	2 ICLK	SCIj, SCli, SCih
0008 A112h	SCI8	Modulation Duty Register	MDDR	8	8	2, 3 PCLKB	2 ICLK	SCIj, SCli, SCih
0008 A113h	SCI8	Data Comparison Control Register	DCCR	8	8	2, 3 PCLKB	2 ICLK	SCIj, SCli, SCih
0008 A11Ah	SCI8	Comparison Data Register H	CDR.H	8	8	2, 3 PCLKB	2 ICLK	SCIj, SCli, SCih

**Table 4.1 List of I/O Registers (Address Order) (21 / 56)**

Address	Module Symbol	Register Name	Register Symbol	Number of Bits	Access Size	Number of Access Cycles		Related Function
						ICLK ≥ PCLK	ICLK < PCLK	
0008 A11Bh	SCI8	Comparison Data Register L	CDR.L	8	8	2, 3 PCLKB	2 ICLK	SCIj, SCli, SClh
0008 A11Ah	SCI8	Comparison Data Register	CDR	16	8, 16	2 to 5 PCLKB	2 ICLK	SCIj, SCli, SClh
0008 A11Ch	SCI8	Serial Port Register	SPTR	8	8	2, 3 PCLKB	2 ICLK	SCIj, SCli, SClh
0008 A120h	SCI9	Serial Mode Register	SMR	8	8	2, 3 PCLKB	2 ICLK	SCIj, SCli, SClh
0008 A120h	SMCI9	Serial Mode Register	SMR	8	8	2, 3 PCLKB	2 ICLK	SCIj, SCli, SClh
0008 A121h	SCI9	Bit Rate Register	BRR	8	8	2, 3 PCLKB	2 ICLK	SCIj, SCli, SClh
0008 A122h	SCI9	Serial Control Register	SCR	8	8	2, 3 PCLKB	2 ICLK	SCIj, SCli, SClh
0008 A122h	SMCI9	Serial Control Register	SCR	8	8	2, 3 PCLKB	2 ICLK	SCIj, SCli, SClh
0008 A123h	SCI9	Transmit Data Register	TDR	8	8	2, 3 PCLKB	2 ICLK	SCIj, SCli, SClh
0008 A124h	SCI9	Serial Status Register	SSR	8	8	2, 3 PCLKB	2 ICLK	SCIj, SCli, SClh
0008 A124h	SMCI9	Serial Status Register	SSR	8	8	2, 3 PCLKB	2 ICLK	SCIj, SCli, SClh
0008 A125h	SCI9	Receive Data Register	RDR	8	8	2, 3 PCLKB	2 ICLK	SCIj, SCli, SClh
0008 A126h	SMCI9	Smart Card Mode Register	SCMR	8	8	2, 3 PCLKB	2 ICLK	SCIj, SCli, SClh
0008 A127h	SCI9	Serial Extended Mode Register	SEMR	8	8	2, 3 PCLKB	2 ICLK	SCIj, SCli, SClh
0008 A128h	SCI9	Noise Filter Setting Register	SNFR	8	8	2, 3 PCLKB	2 ICLK	SCIj, SCli, SClh
0008 A129h	SCI9	I2C Mode Register 1	SIMR1	8	8	2, 3 PCLKB	2 ICLK	SCIj, SCli, SClh
0008 A12Ah	SCI9	I2C Mode Register 2	SIMR2	8	8	2, 3 PCLKB	2 ICLK	SCIj, SCli, SClh
0008 A12Bh	SCI9	I2C Mode Register 3	SIMR3	8	8	2, 3 PCLKB	2 ICLK	SCIj, SCli, SClh
0008 A12Ch	SCI9	I2C Status Register	SISR	8	8	2, 3 PCLKB	2 ICLK	SCIj, SCli, SClh
0008 A12Dh	SCI9	SPI Mode Register	SPMR	8	8	2, 3 PCLKB	2 ICLK	SCIj, SCli, SClh
0008 A12Eh	SCI9	Transmit Data Register H	TDRH	8	8	2, 3 PCLKB	2 ICLK	SCIj, SCli, SClh
0008 A12Fh	SCI9	Transmit Data Register L	TDRL	8	8	2, 3 PCLKB	2 ICLK	SCIj, SCli, SClh
0008 A12Eh	SCI9	Transmit Data Register HL	TDRHL	16	8, 16	2 to 5 PCLKB	2 ICLK	SCIj, SCli, SClh

**Table 4.1 List of I/O Registers (Address Order) (22 / 56)**

Address	Module Symbol	Register Name	Register Symbol	Number of Bits	Access Size	Number of Access Cycles		Related Function
						ICLK ≥ PCLK	ICLK < PCLK	
0008 A130h	SCI9	Receive Data Register H	RDRH	8	8	2, 3 PCLKB	2 ICLK	SCIj, SCli, SCih
0008 A131h	SCI9	Receive Data Register L	RDRL	8	8	2, 3 PCLKB	2 ICLK	SCIj, SCli, SCih
0008 A130h	SCI9	Receive Data Register HL	RDRHL	16	8, 16	2 to 5 PCLKB	2 ICLK	SCIj, SCli, SCih
0008 A132h	SCI9	Modulation Duty Register	MDDR	8	8	2, 3 PCLKB	2 ICLK	SCIj, SCli, SCih
0008 A133h	SCI9	Data Comparison Control Register	DCCR	8	8	2, 3 PCLKB	2 ICLK	SCIj, SCli, SCih
0008 A13Ah	SCI9	Comparison Data Register H	CDR.H	8	8	2, 3 PCLKB	2 ICLK	SCIj, SCli, SCih
0008 A13Bh	SCI9	Comparison Data Register L	CDR.L	8	8	2, 3 PCLKB	2 ICLK	SCIj, SCli, SCih
0008 A13Ah	SCI9	Comparison Data Register	CDR	16	8, 16	2 to 5 PCLKB	2 ICLK	SCIj, SCli, SCih
0008 A13Ch	SCI9	Serial Port Register	SPTR	8	8	2, 3 PCLKB	2 ICLK	SCIj, SCli, SCih
0008 B000h	CAC	CAC Control Register 0	CACR0	8	8	2, 3 PCLKB	2 ICLK	CAC
0008 B001h	CAC	CAC Control Register 1	CACR1	8	8	2, 3 PCLKB	2 ICLK	CAC
0008 B002h	CAC	CAC Control Register 2	CACR2	8	8	2, 3 PCLKB	2 ICLK	CAC
0008 B003h	CAC	CAC Interrupt Request Enable Register	CAICR	8	8	2, 3 PCLKB	2 ICLK	CAC
0008 B004h	CAC	CAC Status Register	CASTR	8	8	2, 3 PCLKB	2 ICLK	CAC
0008 B006h	CAC	CAC Upper-Limit Value Setting Register	CAULVR	16	16	2, 3 PCLKB	2 ICLK	CAC
0008 B008h	CAC	CAC Lower-Limit Value Setting Register	CALLVR	16	16	2, 3 PCLKB	2 ICLK	CAC
0008 B00Ah	CAC	CAC Counter Buffer Register	CACNTBR	16	16	2, 3 PCLKB	2 ICLK	CAC
0008 B080h	DOC	DOC Control Register	DOCR	8	8	2, 3 PCLKB	2 ICLK	DOC
0008 B082h	DOC	DOC Data Input Register	DODIR	16	16	2, 3 PCLKB	2 ICLK	DOC
0008 B084h	DOC	DOC Data Setting Register	DODSR	16	16	2, 3 PCLKB	2 ICLK	DOC
0008 B100h	ELC	Event Link Control Register	ELCR	8	8	2, 3 PCLKB	2 ICLK	ELC
0008 B101h	ELC	Event Link Setting Register 0	ELSR0	8	8	2, 3 PCLKB	2 ICLK	ELC
0008 B104h	ELC	Event Link Setting Register 3	ELSR3	8	8	2, 3 PCLKB	2 ICLK	ELC
0008 B105h	ELC	Event Link Setting Register 4	ELSR4	8	8	2, 3 PCLKB	2 ICLK	ELC
0008 B108h	ELC	Event Link Setting Register 7	ELSR7	8	8	2, 3 PCLKB	2 ICLK	ELC
0008 B10Bh	ELC	Event Link Setting Register 10	ELSR10	8	8	2, 3 PCLKB	2 ICLK	ELC
0008 B10Ch	ELC	Event Link Setting Register 11	ELSR11	8	8	2, 3 PCLKB	2 ICLK	ELC
0008 B10Dh	ELC	Event Link Setting Register 12	ELSR12	8	8	2, 3 PCLKB	2 ICLK	ELC
0008 B10Eh	ELC	Event Link Setting Register 13	ELSR13	8	8	2, 3 PCLKB	2 ICLK	ELC
0008 B110h	ELC	Event Link Setting Register 15	ELSR15	8	8	2, 3 PCLKB	2 ICLK	ELC
0008 B111h	ELC	Event Link Setting Register 16	ELSR16	8	8	2, 3 PCLKB	2 ICLK	ELC
0008 B113h	ELC	Event Link Setting Register 18	ELSR18	8	8	2, 3 PCLKB	2 ICLK	ELC
0008 B114h	ELC	Event Link Setting Register 19	ELSR19	8	8	2, 3 PCLKB	2 ICLK	ELC
0008 B115h	ELC	Event Link Setting Register 20	ELSR20	8	8	2, 3 PCLKB	2 ICLK	ELC
0008 B116h	ELC	Event Link Setting Register 21	ELSR21	8	8	2, 3 PCLKB	2 ICLK	ELC
0008 B117h	ELC	Event Link Setting Register 22	ELSR22	8	8	2, 3 PCLKB	2 ICLK	ELC
0008 B118h	ELC	Event Link Setting Register 23	ELSR23	8	8	2, 3 PCLKB	2 ICLK	ELC
0008 B119h	ELC	Event Link Setting Register 24	ELSR24	8	8	2, 3 PCLKB	2 ICLK	ELC
0008 B11Ah	ELC	Event Link Setting Register 25	ELSR25	8	8	2, 3 PCLKB	2 ICLK	ELC

**Table 4.1 List of I/O Registers (Address Order) (23 / 56)**

Address	Module Symbol	Register Name	Register Symbol	Number of Bits	Access Size	Number of Access Cycles		Related Function
						ICLK ≥ PCLK	ICLK < PCLK	
0008 B11Bh	ELC	Event Link Setting Register 26	ELSR26	8	8	2, 3 PCLKB	2 ICLK	ELC
0008 B11Ch	ELC	Event Link Setting Register 27	ELSR27	8	8	2, 3 PCLKB	2 ICLK	ELC
0008 B11Dh	ELC	Event Link Setting Register 28	ELSR28	8	8	2, 3 PCLKB	2 ICLK	ELC
0008 B11Fh	ELC	Event Link Option Setting Register A	ELOPA	8	8	2, 3 PCLKB	2 ICLK	ELC
0008 B120h	ELC	Event Link Option Setting Register B	ELOPB	8	8	2, 3 PCLKB	2 ICLK	ELC
0008 B121h	ELC	Event Link Option Setting Register C	ELOPC	8	8	2, 3 PCLKB	2 ICLK	ELC
0008 B122h	ELC	Event Link Option Setting Register D	ELOPD	8	8	2, 3 PCLKB	2 ICLK	ELC
0008 B123h	ELC	Port Group Setting Register 1	PGR1	8	8	2, 3 PCLKB	2 ICLK	ELC
0008 B124h	ELC	Port Group Setting Register 2	PGR2	8	8	2, 3 PCLKB	2 ICLK	ELC
0008 B125h	ELC	Port Group Control Register 1	PGC1	8	8	2, 3 PCLKB	2 ICLK	ELC
0008 B126h	ELC	Port Group Control Register 2	PGC2	8	8	2, 3 PCLKB	2 ICLK	ELC
0008 B127h	ELC	Port Buffer Register 1	PDBF1	8	8	2, 3 PCLKB	2 ICLK	ELC
0008 B128h	ELC	Port Buffer Register 2	PDBF2	8	8	2, 3 PCLKB	2 ICLK	ELC
0008 B129h	ELC	Event Link Port Setting Register 0	PEL0	8	8	2, 3 PCLKB	2 ICLK	ELC
0008 B12Ah	ELC	Event Link Port Setting Register 1	PEL1	8	8	2, 3 PCLKB	2 ICLK	ELC
0008 B12Bh	ELC	Event Link Port Setting Register 2	PEL2	8	8	2, 3 PCLKB	2 ICLK	ELC
0008 B12Ch	ELC	Event Link Port Setting Register 3	PEL3	8	8	2, 3 PCLKB	2 ICLK	ELC
0008 B12Dh	ELC	Event Link Software Event Generation Register	ELSEGR	8	8	2, 3 PCLKB	2 ICLK	ELC
0008 B12Eh	ELC	Event Link Setting Register 30	ELSR30	8	8	2, 3 PCLKB	2 ICLK	ELC
0008 B12Fh	ELC	Event Link Setting Register 31	ELSR31	8	8	2, 3 PCLKB	2 ICLK	ELC
0008 B13Dh	ELC	Event Link Setting Register 45	ELSR45	8	8	2, 3 PCLKB	2 ICLK	ELC
0008 B13Eh	ELC	Event Link Option Setting Register E	ELOPE	8	8	2, 3 PCLKB	2 ICLK	ELC
0008 B144h	ELC	Event Link Setting Register 46	ELSR46	8	8	2, 3 PCLKB	2 ICLK	ELC
0008 B145h	ELC	Event Link Setting Register 47	ELSR47	8	8	2, 3 PCLKB	2 ICLK	ELC
0008 B146h	ELC	Event Link Setting Register 48	ELSR48	8	8	2, 3 PCLKB	2 ICLK	ELC
0008 B147h	ELC	Event Link Setting Register 49	ELSR49	8	8	2, 3 PCLKB	2 ICLK	ELC
0008 B148h	ELC	Event Link Setting Register 50	ELSR50	8	8	2, 3 PCLKB	2 ICLK	ELC
0008 B149h	ELC	Event Link Setting Register 51	ELSR51	8	8	2, 3 PCLKB	2 ICLK	ELC
0008 B14Ah	ELC	Event Link Setting Register 52	ELSR52	8	8	2, 3 PCLKB	2 ICLK	ELC
0008 B14Bh	ELC	Event Link Setting Register 53	ELSR53	8	8	2, 3 PCLKB	2 ICLK	ELC
0008 B14Ch	ELC	Event Link Setting Register 54	ELSR54	8	8	2, 3 PCLKB	2 ICLK	ELC
0008 B14Dh	ELC	Event Link Setting Register 55	ELSR55	8	8	2, 3 PCLKB	2 ICLK	ELC
0008 B14Eh	ELC	Event Link Setting Register 56	ELSR56	8	8	2, 3 PCLKB	2 ICLK	ELC
0008 B14Fh	ELC	Event Link Setting Register 57	ELSR57	8	8	2, 3 PCLKB	2 ICLK	ELC
0008 B150h	ELC	Event Link Setting Register 58	ELSR58	8	8	2, 3 PCLKB	2 ICLK	ELC
0008 B300h	SCI12	Serial Mode Register	SMR	8	8	2, 3 PCLKB	2 ICLK	SCIj, SCIi, SC1h
0008 B300h	SMCI12	Serial Mode Register	SMR	8	8	2, 3 PCLKB	2 ICLK	SCIj, SCIi, SC1h
0008 B301h	SCI12	Bit Rate Register	BRR	8	8	2, 3 PCLKB	2 ICLK	SCIj, SCIi, SC1h
0008 B302h	SCI12	Serial Control Register	SCR	8	8	2, 3 PCLKB	2 ICLK	SCIj, SCIi, SC1h
0008 B302h	SMCI12	Serial Control Register	SCR	8	8	2, 3 PCLKB	2 ICLK	SCIj, SCIi, SC1h
0008 B303h	SCI12	Transmit Data Register	TDR	8	8	2, 3 PCLKB	2 ICLK	SCIj, SCIi, SC1h
0008 B304h	SCI12	Serial Status Register	SSR	8	8	2, 3 PCLKB	2 ICLK	SCIj, SCIi, SC1h

**Table 4.1 List of I/O Registers (Address Order) (24 / 56)**

Address	Module Symbol	Register Name	Register Symbol	Number of Bits	Access Size	Number of Access Cycles		Related Function
						ICLK ≥ PCLK	ICLK < PCLK	
0008 B304h	SMCI12	Serial Status Register	SSR	8	8	2, 3 PCLKB	2 ICLK	SCIj, SCli, SClh
0008 B305h	SCI12	Receive Data Register	RDR	8	8	2, 3 PCLKB	2 ICLK	SCIj, SCli, SClh
0008 B306h	SMCI12	Smart Card Mode Register	SCMR	8	8	2, 3 PCLKB	2 ICLK	SCIj, SCli, SClh
0008 B307h	SCI12	Serial Extended Mode Register	SEMR	8	8	2, 3 PCLKB	2 ICLK	SCIj, SCli, SClh
0008 B308h	SCI12	Noise Filter Setting Register	SNFR	8	8	2, 3 PCLKB	2 ICLK	SCIj, SCli, SClh
0008 B309h	SCI12	I <sup>2</sup> C Mode Register 1	SIMR1	8	8	2, 3 PCLKB	2 ICLK	SCIj, SCli, SClh
0008 B30Ah	SCI12	I <sup>2</sup> C Mode Register 2	SIMR2	8	8	2, 3 PCLKB	2 ICLK	SCIj, SCli, SClh
0008 B30Bh	SCI12	I <sup>2</sup> C Mode Register 3	SIMR3	8	8	2, 3 PCLKB	2 ICLK	SCIj, SCli, SClh
0008 B30Ch	SCI12	I <sup>2</sup> C Status Register	SISR	8	8	2, 3 PCLKB	2 ICLK	SCIj, SCli, SClh
0008 B30Dh	SCI12	SPI Mode Register	SPMR	8	8	2, 3 PCLKB	2 ICLK	SCIj, SCli, SClh
0008 B30Eh	SCI12	Transmit Data Register H	TDRH	8	8	2, 3 PCLKB	2 ICLK	SCIj, SCli, SClh
0008 B30Fh	SCI12	Transmit Data Register L	TDRL	8	8	2, 3 PCLKB	2 ICLK	SCIj, SCli, SClh
0008 B30Eh	SCI12	Transmit Data Register HL	TDRHL	16	8, 16	2 to 5 PCLKB	2 ICLK	SCIj, SCli, SClh
0008 B310h	SCI12	Receive Data Register H	RDRH	8	8	2, 3 PCLKB	2 ICLK	SCIj, SCli, SClh
0008 B311h	SCI12	Receive Data Register L	RDRL	8	8	2, 3 PCLKB	2 ICLK	SCIj, SCli, SClh
0008 B310h	SCI12	Receive Data Register HL	RDRHL	16	8, 16	2 to 5 PCLKB	2 ICLK	SCIj, SCli, SClh
0008 B312h	SCI12	Modulation Duty Register	MDDR	8	8	2, 3 PCLKB	2 ICLK	SCIj, SCli, SClh
0008 B320h	SCI12	Extended Serial Module Enable Register	ESMER	8	8	2, 3 PCLKB	2 ICLK	SCIj, SCli, SClh
0008 B321h	SCI12	Control Register 0	CR0	8	8	2, 3 PCLKB	2 ICLK	SCIj, SCli, SClh
0008 B322h	SCI12	Control Register 1	CR1	8	8	2, 3 PCLKB	2 ICLK	SCIj, SCli, SClh
0008 B323h	SCI12	Control Register 2	CR2	8	8	2, 3 PCLKB	2 ICLK	SCIj, SCli, SClh
0008 B324h	SCI12	Control Register 3	CR3	8	8	2, 3 PCLKB	2 ICLK	SCIj, SCli, SClh
0008 B325h	SCI12	Port Control Register	PCR	8	8	2, 3 PCLKB	2 ICLK	SCIj, SCli, SClh

**Table 4.1 List of I/O Registers (Address Order) (25 / 56)**

Address	Module Symbol	Register Name	Register Symbol	Number of Bits	Access Size	Number of Access Cycles		Related Function
						ICLK ≥ PCLK	ICLK < PCLK	
0008 B326h	SCI12	Interrupt Control Register	ICR	8	8	2, 3 PCLKB	2 ICLK	SCIj, SCli, SClh
0008 B327h	SCI12	Status Register	STR	8	8	2, 3 PCLKB	2 ICLK	SCIj, SCli, SClh
0008 B328h	SCI12	Status Clear Register	STCR	8	8	2, 3 PCLKB	2 ICLK	SCIj, SCli, SClh
0008 B329h	SCI12	Control Field 0 Data Register	CF0DR	8	8	2, 3 PCLKB	2 ICLK	SCIj, SCli, SClh
0008 B32Ah	SCI12	Control Field 0 Compare Enable Register	CF0CR	8	8	2, 3 PCLKB	2 ICLK	SCIj, SCli, SClh
0008 B32Bh	SCI12	Control Field 0 Receive Data Register	CF0RR	8	8	2, 3 PCLKB	2 ICLK	SCIj, SCli, SClh
0008 B32Ch	SCI12	Primary Control Field 1 Data Register	PCF1DR	8	8	2, 3 PCLKB	2 ICLK	SCIj, SCli, SClh
0008 B32Dh	SCI12	Secondary Control Field 1 Data Register	SCF1DR	8	8	2, 3 PCLKB	2 ICLK	SCIj, SCli, SClh
0008 B32Eh	SCI12	Control Field 1 Compare Enable Register	CF1CR	8	8	2, 3 PCLKB	2 ICLK	SCIj, SCli, SClh
0008 B32Fh	SCI12	Control Field 1 Receive Data Register	CF1RR	8	8	2, 3 PCLKB	2 ICLK	SCIj, SCli, SClh
0008 B330h	SCI12	Timer Control Register	TCR	8	8	2, 3 PCLKB	2 ICLK	SCIj, SCli, SClh
0008 B331h	SCI12	Timer Mode Register	TMR	8	8	2, 3 PCLKB	2 ICLK	SCIj, SCli, SClh
0008 B332h	SCI12	Timer Prescaler Register	TPRE	8	8	2, 3 PCLKB	2 ICLK	SCIj, SCli, SClh
0008 B333h	SCI12	Timer Count Register	TCNT	8	8	2, 3 PCLKB	2 ICLK	SCIj, SCli, SClh
0008 C000h	PORT0	Port Direction Register	PDR	8	8	2, 3 PCLKB	2 ICLK	I/O Ports
0008 C001h	PORT1	Port Direction Register	PDR	8	8	2, 3 PCLKB	2 ICLK	I/O Ports
0008 C002h	PORT2	Port Direction Register	PDR	8	8	2, 3 PCLKB	2 ICLK	I/O Ports
0008 C003h	PORT3	Port Direction Register	PDR	8	8	2, 3 PCLKB	2 ICLK	I/O Ports
0008 C004h	PORT4	Port Direction Register	PDR	8	8	2, 3 PCLKB	2 ICLK	I/O Ports
0008 C005h	PORT5	Port Direction Register	PDR	8	8	2, 3 PCLKB	2 ICLK	I/O Ports
0008 C006h	PORT6	Port Direction Register	PDR	8	8	2, 3 PCLKB	2 ICLK	I/O Ports
0008 C007h	PORT7	Port Direction Register	PDR	8	8	2, 3 PCLKB	2 ICLK	I/O Ports
0008 C008h	PORT8	Port Direction Register	PDR	8	8	2, 3 PCLKB	2 ICLK	I/O Ports
0008 C009h	PORT9	Port Direction Register	PDR	8	8	2, 3 PCLKB	2 ICLK	I/O Ports
0008 C00Ah	PORTA	Port Direction Register	PDR	8	8	2, 3 PCLKB	2 ICLK	I/O Ports
0008 C00Bh	PORTB	Port Direction Register	PDR	8	8	2, 3 PCLKB	2 ICLK	I/O Ports
0008 C00Ch	PORTC	Port Direction Register	PDR	8	8	2, 3 PCLKB	2 ICLK	I/O Ports
0008 C00Dh	PORTD	Port Direction Register	PDR	8	8	2, 3 PCLKB	2 ICLK	I/O Ports
0008 C00Eh	PORTE	Port Direction Register	PDR	8	8	2, 3 PCLKB	2 ICLK	I/O Ports
0008 C00Fh	PORTF	Port Direction Register	PDR	8	8	2, 3 PCLKB	2 ICLK	I/O Ports
0008 C010h	PORTG	Port Direction Register	PDR	8	8	2, 3 PCLKB	2 ICLK	I/O Ports
0008 C011h	PORTH	Port Direction Register	PDR	8	8	2, 3 PCLKB	2 ICLK	I/O Ports
0008 C013h	PORTK	Port Direction Register	PDR	8	8	2, 3 PCLKB	2 ICLK	I/O Ports
0008 C020h	PORT0	Port Output Data Register	PODR	8	8	2, 3 PCLKB	2 ICLK	I/O Ports

**Table 4.1 List of I/O Registers (Address Order) (26 / 56)**

Address	Module Symbol	Register Name	Register Symbol	Number of Bits	Access Size	Number of Access Cycles		Related Function
						ICLK ≥ PCLK	ICLK < PCLK	
0008 C021h	PORT1	Port Output Data Register	PODR	8	8	2, 3 PCLKB	2 ICLK	I/O Ports
0008 C022h	PORT2	Port Output Data Register	PODR	8	8	2, 3 PCLKB	2 ICLK	I/O Ports
0008 C023h	PORT3	Port Output Data Register	PODR	8	8	2, 3 PCLKB	2 ICLK	I/O Ports
0008 C024h	PORT4	Port Output Data Register	PODR	8	8	2, 3 PCLKB	2 ICLK	I/O Ports
0008 C025h	PORT5	Port Output Data Register	PODR	8	8	2, 3 PCLKB	2 ICLK	I/O Ports
0008 C026h	PORT6	Port Output Data Register	PODR	8	8	2, 3 PCLKB	2 ICLK	I/O Ports
0008 C027h	PORT7	Port Output Data Register	PODR	8	8	2, 3 PCLKB	2 ICLK	I/O Ports
0008 C028h	PORT8	Port Output Data Register	PODR	8	8	2, 3 PCLKB	2 ICLK	I/O Ports
0008 C029h	PORT9	Port Output Data Register	PODR	8	8	2, 3 PCLKB	2 ICLK	I/O Ports
0008 C02Ah	PORTA	Port Output Data Register	PODR	8	8	2, 3 PCLKB	2 ICLK	I/O Ports
0008 C02Bh	PORTB	Port Output Data Register	PODR	8	8	2, 3 PCLKB	2 ICLK	I/O Ports
0008 C02Ch	PORTC	Port Output Data Register	PODR	8	8	2, 3 PCLKB	2 ICLK	I/O Ports
0008 C02Dh	PORTD	Port Output Data Register	PODR	8	8	2, 3 PCLKB	2 ICLK	I/O Ports
0008 C02Eh	PORTE	Port Output Data Register	PODR	8	8	2, 3 PCLKB	2 ICLK	I/O Ports
0008 C02Fh	PORTF	Port Output Data Register	PODR	8	8	2, 3 PCLKB	2 ICLK	I/O Ports
0008 C030h	PORTG	Port Output Data Register	PODR	8	8	2, 3 PCLKB	2 ICLK	I/O Ports
0008 C031h	PORTH	Port Output Data Register	PODR	8	8	2, 3 PCLKB	2 ICLK	I/O Ports
0008 C033h	PORTK	Port Output Data Register	PODR	8	8	2, 3 PCLKB	2 ICLK	I/O Ports
0008 C040h	PORT0	Port Input Register	PIDR	8	8	4, 5 PCLKB	3 ICLK	I/O Ports
0008 C041h	PORT1	Port Input Register	PIDR	8	8	4, 5 PCLKB	3 ICLK	I/O Ports
0008 C042h	PORT2	Port Input Register	PIDR	8	8	4, 5 PCLKB	3 ICLK	I/O Ports
0008 C043h	PORT3	Port Input Register	PIDR	8	8	4, 5 PCLKB	3 ICLK	I/O Ports
0008 C044h	PORT4	Port Input Register	PIDR	8	8	4, 5 PCLKB	3 ICLK	I/O Ports
0008 C045h	PORT5	Port Input Register	PIDR	8	8	4, 5 PCLKB	3 ICLK	I/O Ports
0008 C046h	PORT6	Port Input Register	PIDR	8	8	4, 5 PCLKB	3 ICLK	I/O Ports
0008 C047h	PORT7	Port Input Register	PIDR	8	8	4, 5 PCLKB	3 ICLK	I/O Ports
0008 C048h	PORT8	Port Input Register	PIDR	8	8	4, 5 PCLKB	3 ICLK	I/O Ports
0008 C049h	PORT9	Port Input Register	PIDR	8	8	4, 5 PCLKB	3 ICLK	I/O Ports
0008 C04Ah	PORTA	Port Input Register	PIDR	8	8	4, 5 PCLKB	3 ICLK	I/O Ports
0008 C04Bh	PORTB	Port Input Register	PIDR	8	8	4, 5 PCLKB	3 ICLK	I/O Ports
0008 C04Ch	PORTC	Port Input Register	PIDR	8	8	4, 5 PCLKB	3 ICLK	I/O Ports
0008 C04Dh	PORTD	Port Input Register	PIDR	8	8	4, 5 PCLKB	3 ICLK	I/O Ports
0008 C04Eh	PORTE	Port Input Register	PIDR	8	8	4, 5 PCLKB	3 ICLK	I/O Ports
0008 C04Fh	PORTF	Port Input Register	PIDR	8	8	4, 5 PCLKB	3 ICLK	I/O Ports
0008 C050h	PORTG	Port Input Register	PIDR	8	8	4, 5 PCLKB	3 ICLK	I/O Ports
0008 C051h	PORTH	Port Input Register	PIDR	8	8	4, 5 PCLKB	3 ICLK	I/O Ports
0008 C053h	PORTK	Port Input Register	PIDR	8	8	4, 5 PCLKB	3 ICLK	I/O Ports
0008 C060h	PORT0	Port Mode Register	PMR	8	8	2, 3 PCLKB	2 ICLK	I/O Ports
0008 C061h	PORT1	Port Mode Register	PMR	8	8	2, 3 PCLKB	2 ICLK	I/O Ports
0008 C062h	PORT2	Port Mode Register	PMR	8	8	2, 3 PCLKB	2 ICLK	I/O Ports
0008 C063h	PORT3	Port Mode Register	PMR	8	8	2, 3 PCLKB	2 ICLK	I/O Ports
0008 C064h	PORT4	Port Mode Register	PMR	8	8	2, 3 PCLKB	2 ICLK	I/O Ports
0008 C065h	PORT5	Port Mode Register	PMR	8	8	2, 3 PCLKB	2 ICLK	I/O Ports
0008 C066h	PORT6	Port Mode Register	PMR	8	8	2, 3 PCLKB	2 ICLK	I/O Ports
0008 C067h	PORT7	Port Mode Register	PMR	8	8	2, 3 PCLKB	2 ICLK	I/O Ports
0008 C068h	PORT8	Port Mode Register	PMR	8	8	2, 3 PCLKB	2 ICLK	I/O Ports
0008 C069h	PORT9	Port Mode Register	PMR	8	8	2, 3 PCLKB	2 ICLK	I/O Ports
0008 C06Ah	PORTA	Port Mode Register	PMR	8	8	2, 3 PCLKB	2 ICLK	I/O Ports
0008 C06Bh	PORTB	Port Mode Register	PMR	8	8	2, 3 PCLKB	2 ICLK	I/O Ports
0008 C06Ch	PORTC	Port Mode Register	PMR	8	8	2, 3 PCLKB	2 ICLK	I/O Ports



**Table 4.1 List of I/O Registers (Address Order) (27 / 56)**

Address	Module Symbol	Register Name	Register Symbol	Number of Bits	Access Size	Number of Access Cycles		Related Function
						ICLK ≥ PCLK	ICLK < PCLK	
0008 C06Dh	PORTD	Port Mode Register	PMR	8	8	2, 3 PCLKB	2 ICLK	I/O Ports
0008 C06Eh	PORTE	Port Mode Register	PMR	8	8	2, 3 PCLKB	2 ICLK	I/O Ports
0008 C06Fh	PORTF	Port Mode Register	PMR	8	8	2, 3 PCLKB	2 ICLK	I/O Ports
0008 C070h	PORTG	Port Mode Register	PMR	8	8	2, 3 PCLKB	2 ICLK	I/O Ports
0008 C071h	PORTH	Port Mode Register	PMR	8	8	2, 3 PCLKB	2 ICLK	I/O Ports
0008 C073h	PORTK	Port Mode Register	PMR	8	8	2, 3 PCLKB	2 ICLK	I/O Ports
0008 C080h	PORT0	Open-Drain Control Register 0	ODR0	8	8	2, 3 PCLKB	2 ICLK	I/O Ports
0008 C082h	PORT1	Open-Drain Control Register 0	ODR0	8	8	2, 3 PCLKB	2 ICLK	I/O Ports
0008 C083h	PORT1	Open-Drain Control Register 1	ODR1	8	8	2, 3 PCLKB	2 ICLK	I/O Ports
0008 C084h	PORT2	Open-Drain Control Register 0	ODR0	8	8	2, 3 PCLKB	2 ICLK	I/O Ports
0008 C085h	PORT2	Open-Drain Control Register 1	ODR1	8	8	2, 3 PCLKB	2 ICLK	I/O Ports
0008 C086h	PORT3	Open-Drain Control Register 0	ODR0	8	8	2, 3 PCLKB	2 ICLK	I/O Ports
0008 C087h	PORT3	Open-Drain Control Register 1	ODR1	8	8	2, 3 PCLKB	2 ICLK	I/O Ports
0008 C088h	PORT4	Open-Drain Control Register 0	ODR0	8	8	2, 3 PCLKB	2 ICLK	I/O Ports
0008 C089h	PORT4	Open-Drain Control Register 1	ODR1	8	8	2, 3 PCLKB	2 ICLK	I/O Ports
0008 C08Ah	PORT5	Open-Drain Control Register 0	ODR0	8	8	2, 3 PCLKB	2 ICLK	I/O Ports
0008 C08Bh	PORT5	Open-Drain Control Register 1	ODR1	8	8	2, 3 PCLKB	2 ICLK	I/O Ports
0008 C08Ch	PORT6	Open-Drain Control Register 0	ODR0	8	8	2, 3 PCLKB	2 ICLK	I/O Ports
0008 C08Dh	PORT6	Open-Drain Control Register 1	ODR1	8	8	2, 3 PCLKB	2 ICLK	I/O Ports
0008 C08Eh	PORT7	Open-Drain Control Register 0	ODR0	8	8	2, 3 PCLKB	2 ICLK	I/O Ports
0008 C08Fh	PORT7	Open-Drain Control Register 1	ODR1	8	8	2, 3 PCLKB	2 ICLK	I/O Ports
0008 C090h	PORT8	Open-Drain Control Register 0	ODR0	8	8	2, 3 PCLKB	2 ICLK	I/O Ports
0008 C092h	PORT9	Open-Drain Control Register 0	ODR0	8	8	2, 3 PCLKB	2 ICLK	I/O Ports
0008 C093h	PORT9	Open-Drain Control Register 1	ODR1	8	8	2, 3 PCLKB	2 ICLK	I/O Ports
0008 C094h	PORTA	Open-Drain Control Register 0	ODR0	8	8	2, 3 PCLKB	2 ICLK	I/O Ports
0008 C095h	PORTA	Open-Drain Control Register 1	ODR1	8	8	2, 3 PCLKB	2 ICLK	I/O Ports
0008 C096h	PORTB	Open-Drain Control Register 0	ODR0	8	8	2, 3 PCLKB	2 ICLK	I/O Ports
0008 C097h	PORTB	Open-Drain Control Register 1	ODR1	8	8	2, 3 PCLKB	2 ICLK	I/O Ports
0008 C098h	PORTC	Open-Drain Control Register 0	ODR0	8	8	2, 3 PCLKB	2 ICLK	I/O Ports
0008 C099h	PORTC	Open-Drain Control Register 1	ODR1	8	8	2, 3 PCLKB	2 ICLK	I/O Ports
0008 C09Ah	PORTD	Open-Drain Control Register 0	ODR0	8	8	2, 3 PCLKB	2 ICLK	I/O Ports
0008 C09Bh	PORTD	Open-Drain Control Register 1	ODR1	8	8	2, 3 PCLKB	2 ICLK	I/O Ports
0008 C09Ch	PORTE	Open-Drain Control Register 0	ODR0	8	8	2, 3 PCLKB	2 ICLK	I/O Ports
0008 C09Dh	PORTE	Open-Drain Control Register 1	ODR1	8	8	2, 3 PCLKB	2 ICLK	I/O Ports
0008 C09Eh	PORTF	Open-Drain Control Register 0	ODR0	8	8	2, 3 PCLKB	2 ICLK	I/O Ports
0008 C0A0h	PORTG	Open-Drain Control Register 0	ODR0	8	8	2, 3 PCLKB	2 ICLK	I/O Ports
0008 C0A2h	PORTH	Open-Drain Control Register 0	ODR0	8	8	2, 3 PCLKB	2 ICLK	I/O Ports
0008 C0A3h	PORTH	Open-Drain Control Register 1	ODR1	8	8	2, 3 PCLKB	2 ICLK	I/O Ports
0008 C0A6h	PORTK	Open-Drain Control Register 0	ODR0	8	8	2, 3 PCLKB	2 ICLK	I/O Ports
0008 C0C0h	PORT0	Pull-Up Resistor Control Register	PCR	8	8	2, 3 PCLKB	2 ICLK	I/O Ports
0008 C0C1h	PORT1	Pull-Up Resistor Control Register	PCR	8	8	2, 3 PCLKB	2 ICLK	I/O Ports
0008 C0C2h	PORT2	Pull-Up Resistor Control Register	PCR	8	8	2, 3 PCLKB	2 ICLK	I/O Ports
0008 C0C3h	PORT3	Pull-Up Resistor Control Register	PCR	8	8	2, 3 PCLKB	2 ICLK	I/O Ports
0008 C0C4h	PORT4	Pull-Up Resistor Control Register	PCR	8	8	2, 3 PCLKB	2 ICLK	I/O Ports
0008 C0C5h	PORT5	Pull-Up Resistor Control Register	PCR	8	8	2, 3 PCLKB	2 ICLK	I/O Ports
0008 C0C6h	PORT6	Pull-Up Resistor Control Register	PCR	8	8	2, 3 PCLKB	2 ICLK	I/O Ports
0008 C0C7h	PORT7	Pull-Up Resistor Control Register	PCR	8	8	2, 3 PCLKB	2 ICLK	I/O Ports
0008 C0C8h	PORT8	Pull-Up Resistor Control Register	PCR	8	8	2, 3 PCLKB	2 ICLK	I/O Ports
0008 C0C9h	PORT9	Pull-Up Resistor Control Register	PCR	8	8	2, 3 PCLKB	2 ICLK	I/O Ports
0008 C0CAh	PORTA	Pull-Up Resistor Control Register	PCR	8	8	2, 3 PCLKB	2 ICLK	I/O Ports



**Table 4.1 List of I/O Registers (Address Order) (28 / 56)**

Address	Module Symbol	Register Name	Register Symbol	Number of Bits	Access Size	Number of Access Cycles		Related Function
						ICLK ≥ PCLK	ICLK < PCLK	
0008 C0CBh	PORTB	Pull-Up Resistor Control Register	PCR	8	8	2, 3 PCLKB	2 ICLK	I/O Ports
0008 C0CCh	PORTC	Pull-Up Resistor Control Register	PCR	8	8	2, 3 PCLKB	2 ICLK	I/O Ports
0008 C0CDh	PORTD	Pull-Up Resistor Control Register	PCR	8	8	2, 3 PCLKB	2 ICLK	I/O Ports
0008 C0CEh	PORTE	Pull-Up Resistor Control Register	PCR	8	8	2, 3 PCLKB	2 ICLK	I/O Ports
0008 C0CFh	PORTF	Pull-Up Resistor Control Register	PCR	8	8	2, 3 PCLKB	2 ICLK	I/O Ports
0008 C0D0h	PORTG	Pull-Up Resistor Control Register	PCR	8	8	2, 3 PCLKB	2 ICLK	I/O Ports
0008 C0D1h	PORTH	Pull-Up Resistor Control Register	PCR	8	8	2, 3 PCLKB	2 ICLK	I/O Ports
0008 C0D3h	PORTK	Pull-Up Resistor Control Register	PCR	8	8	2, 3 PCLKB	2 ICLK	I/O Ports
0008 C0E0h	PORT0	Drive Capacity Control Register	DSCR	8	8	2, 3 PCLKB	2 ICLK	I/O Ports
0008 C0E1h	PORT1	Drive Capacity Control Register	DSCR	8	8	2, 3 PCLKB	2 ICLK	I/O Ports
0008 C0E2h	PORT2	Drive Capacity Control Register	DSCR	8	8	2, 3 PCLKB	2 ICLK	I/O Ports
0008 C0E3h	PORT3	Drive Capacity Control Register	DSCR	8	8	2, 3 PCLKB	2 ICLK	I/O Ports
0008 C0E7h	PORT7	Drive Capacity Control Register	DSCR	8	8	2, 3 PCLKB	2 ICLK	I/O Ports
0008 C0E8h	PORT8	Drive Capacity Control Register	DSCR	8	8	2, 3 PCLKB	2 ICLK	I/O Ports
0008 C0E9h	PORT9	Drive Capacity Control Register	DSCR	8	8	2, 3 PCLKB	2 ICLK	I/O Ports
0008 C0EAh	PORTA	Drive Capacity Control Register	DSCR	8	8	2, 3 PCLKB	2 ICLK	I/O Ports
0008 C0EBh	PORTB	Drive Capacity Control Register	DSCR	8	8	2, 3 PCLKB	2 ICLK	I/O Ports
0008 C0ECh	PORTC	Drive Capacity Control Register	DSCR	8	8	2, 3 PCLKB	2 ICLK	I/O Ports
0008 C0EDh	PORTD	Drive Capacity Control Register	DSCR	8	8	2, 3 PCLKB	2 ICLK	I/O Ports
0008 C0EEh	PORTE	Drive Capacity Control Register	DSCR	8	8	2, 3 PCLKB	2 ICLK	I/O Ports
0008 C0EFh	PORTF	Drive Capacity Control Register	DSCR	8	8	2, 3 PCLKB	2 ICLK	I/O Ports
0008 C0F0h	PORTG	Drive Capacity Control Register	DSCR	8	8	2, 3 PCLKB	2 ICLK	I/O Ports
0008 C0F3h	PORTK	Drive Capacity Control Register	DSCR	8	8	2, 3 PCLKB	2 ICLK	I/O Ports
0008 C100h	MPC	CS Output Enable Register	PFCSE	8	8	2, 3 PCLKB	2 ICLK	MPC
0008 C102h	MPC	CS Output Pin Select Register 0	PFCSS0	8	8	2, 3 PCLKB	2 ICLK	MPC
0008 C104h	MPC	Address Output Enable Register 0	PFAOE0	8	8	2, 3 PCLKB	2 ICLK	MPC
0008 C105h	MPC	Address Output Enable Register 1	PFAOE1	8	8	2, 3 PCLKB	2 ICLK	MPC
0008 C106h	MPC	External Bus Control Register 0	PFBCR0	8	8	2, 3 PCLKB	2 ICLK	MPC
0008 C107h	MPC	External Bus Control Register 1	PFBCR1	8	8	2, 3 PCLKB	2 ICLK	MPC
0008 C108h	MPC	External Bus Control Register 2	PFBCR2	8	8	2, 3 PCLKB	2 ICLK	MPC
0008 C109h	MPC	External Bus Control Register 3	PFBCR3	8	8	2, 3 PCLKB	2 ICLK	MPC
0008 C10Ah	MPC	External Bus Control Register 4	PFBCR4	8	8	2, 3 PCLKB	2 ICLK	MPC
0008 C11Fh	MPC	Write-Protect Register	PWPR	8	8	2, 3 PCLKB	2 ICLK	MPC
0008 C12Fh	PORT7	Drive Capacity Control Register 2	DSCR2	8	8	2, 3 PCLKB	2 ICLK	I/O Ports
0008 C130h	PORT8	Drive Capacity Control Register 2	DSCR2	8	8	2, 3 PCLKB	2 ICLK	I/O Ports
0008 C131h	PORT9	Drive Capacity Control Register 2	DSCR2	8	8	2, 3 PCLKB	2 ICLK	I/O Ports
0008 C133h	PORTB	Drive Capacity Control Register 2	DSCR2	8	8	2, 3 PCLKB	2 ICLK	I/O Ports
0008 C135h	PORTD	Drive Capacity Control Register 2	DSCR2	8	8	2, 3 PCLKB	2 ICLK	I/O Ports
0008 C140h	MPC	P00 Pin Function Control Register	P00PFS	8	8	2, 3 PCLKB	2 ICLK	MPC
0008 C141h	MPC	P01 Pin Function Control Register	P01PFS	8	8	2, 3 PCLKB	2 ICLK	MPC
0008 C148h	MPC	P10 Pin Function Control Register	P10PFS	8	8	2, 3 PCLKB	2 ICLK	MPC
0008 C149h	MPC	P11 Pin Function Control Register	P11PFS	8	8	2, 3 PCLKB	2 ICLK	MPC
0008 C14Ah	MPC	P12 Pin Function Control Register	P12PFS	8	8	2, 3 PCLKB	2 ICLK	MPC
0008 C14Bh	MPC	P13 Pin Function Control Register	P13PFS	8	8	2, 3 PCLKB	2 ICLK	MPC
0008 C14Ch	MPC	P14 Pin Function Control Register	P14PFS	8	8	2, 3 PCLKB	2 ICLK	MPC
0008 C14Dh	MPC	P15 Pin Function Control Register	P15PFS	8	8	2, 3 PCLKB	2 ICLK	MPC
0008 C14Eh	MPC	P16 Pin Function Control Register	P16PFS	8	8	2, 3 PCLKB	2 ICLK	MPC
0008 C14Fh	MPC	P17 Pin Function Control Register	P17PFS	8	8	2, 3 PCLKB	2 ICLK	MPC
0008 C150h	MPC	P20 Pin Function Control Register	P20PFS	8	8	2, 3 PCLKB	2 ICLK	MPC
0008 C151h	MPC	P21 Pin Function Control Register	P21PFS	8	8	2, 3 PCLKB	2 ICLK	MPC

**Table 4.1 List of I/O Registers (Address Order) (29 / 56)**

Address	Module Symbol	Register Name	Register Symbol	Number of Bits	Access Size	Number of Access Cycles		Related Function
						ICLK ≥ PCLK	ICLK < PCLK	
0008 C152h	MPC	P22 Pin Function Control Register	P22PFS	8	8	2, 3 PCLKB	2 ICLK	MPC
0008 C153h	MPC	P23 Pin Function Control Register	P23PFS	8	8	2, 3 PCLKB	2 ICLK	MPC
0008 C154h	MPC	P24 Pin Function Control Register	P24PFS	8	8	2, 3 PCLKB	2 ICLK	MPC
0008 C155h	MPC	P25 Pin Function Control Register	P25PFS	8	8	2, 3 PCLKB	2 ICLK	MPC
0008 C156h	MPC	P26 Pin Function Control Register	P26PFS	8	8	2, 3 PCLKB	2 ICLK	MPC
0008 C157h	MPC	P27 Pin Function Control Register	P27PFS	8	8	2, 3 PCLKB	2 ICLK	MPC
0008 C158h	MPC	P30 Pin Function Control Register	P30PFS	8	8	2, 3 PCLKB	2 ICLK	MPC
0008 C159h	MPC	P31 Pin Function Control Register	P31PFS	8	8	2, 3 PCLKB	2 ICLK	MPC
0008 C15Ah	MPC	P32 Pin Function Control Register	P32PFS	8	8	2, 3 PCLKB	2 ICLK	MPC
0008 C15Bh	MPC	P33 Pin Function Control Register	P33PFS	8	8	2, 3 PCLKB	2 ICLK	MPC
0008 C15Ch	MPC	P34 Pin Function Control Register	P34PFS	8	8	2, 3 PCLKB	2 ICLK	MPC
0008 C15Dh	MPC	P35 Pin Function Control Register	P35PFS	8	8	2, 3 PCLKB	2 ICLK	MPC
0008 C160h	MPC	P40 Pin Function Control Register	P40PFS	8	8	2, 3 PCLKB	2 ICLK	MPC
0008 C161h	MPC	P41 Pin Function Control Register	P41PFS	8	8	2, 3 PCLKB	2 ICLK	MPC
0008 C162h	MPC	P42 Pin Function Control Register	P42PFS	8	8	2, 3 PCLKB	2 ICLK	MPC
0008 C163h	MPC	P43 Pin Function Control Register	P43PFS	8	8	2, 3 PCLKB	2 ICLK	MPC
0008 C164h	MPC	P44 Pin Function Control Register	P44PFS	8	8	2, 3 PCLKB	2 ICLK	MPC
0008 C165h	MPC	P45 Pin Function Control Register	P45PFS	8	8	2, 3 PCLKB	2 ICLK	MPC
0008 C166h	MPC	P46 Pin Function Control Register	P46PFS	8	8	2, 3 PCLKB	2 ICLK	MPC
0008 C167h	MPC	P47 Pin Function Control Register	P47PFS	8	8	2, 3 PCLKB	2 ICLK	MPC
0008 C168h	MPC	P50 Pin Function Control Register	P50PFS	8	8	2, 3 PCLKB	2 ICLK	MPC
0008 C169h	MPC	P51 Pin Function Control Register	P51PFS	8	8	2, 3 PCLKB	2 ICLK	MPC
0008 C16Ah	MPC	P52 Pin Function Control Register	P52PFS	8	8	2, 3 PCLKB	2 ICLK	MPC
0008 C16Bh	MPC	P53 Pin Function Control Register	P53PFS	8	8	2, 3 PCLKB	2 ICLK	MPC
0008 C16Ch	MPC	P54 Pin Function Control Register	P54PFS	8	8	2, 3 PCLKB	2 ICLK	MPC
0008 C16Dh	MPC	P55 Pin Function Control Register	P55PFS	8	8	2, 3 PCLKB	2 ICLK	MPC
0008 C170h	MPC	P60 Pin Function Control Register	P60PFS	8	8	2, 3 PCLKB	2 ICLK	MPC
0008 C171h	MPC	P61 Pin Function Control Register	P61PFS	8	8	2, 3 PCLKB	2 ICLK	MPC
0008 C172h	MPC	P62 Pin Function Control Register	P62PFS	8	8	2, 3 PCLKB	2 ICLK	MPC
0008 C173h	MPC	P61 Pin Function Control Register	P63PFS	8	8	2, 3 PCLKB	2 ICLK	MPC
0008 C174h	MPC	P61 Pin Function Control Register	P64PFS	8	8	2, 3 PCLKB	2 ICLK	MPC
0008 C175h	MPC	P61 Pin Function Control Register	P65PFS	8	8	2, 3 PCLKB	2 ICLK	MPC
0008 C178h	MPC	P70 Pin Function Control Register	P70PFS	8	8	2, 3 PCLKB	2 ICLK	MPC
0008 C179h	MPC	P71 Pin Function Control Register	P71PFS	8	8	2, 3 PCLKB	2 ICLK	MPC
0008 C17Ah	MPC	P72 Pin Function Control Register	P72PFS	8	8	2, 3 PCLKB	2 ICLK	MPC
0008 C17Bh	MPC	P73 Pin Function Control Register	P73PFS	8	8	2, 3 PCLKB	2 ICLK	MPC
0008 C17Ch	MPC	P74 Pin Function Control Register	P74PFS	8	8	2, 3 PCLKB	2 ICLK	MPC
0008 C17Dh	MPC	P75 Pin Function Control Register	P75PFS	8	8	2, 3 PCLKB	2 ICLK	MPC
0008 C17Eh	MPC	P76 Pin Function Control Register	P76PFS	8	8	2, 3 PCLKB	2 ICLK	MPC
0008 C180h	MPC	P80 Pin Function Control Register	P80PFS	8	8	2, 3 PCLKB	2 ICLK	MPC
0008 C181h	MPC	P81 Pin Function Control Register	P81PFS	8	8	2, 3 PCLKB	2 ICLK	MPC
0008 C182h	MPC	P82 Pin Function Control Register	P82PFS	8	8	2, 3 PCLKB	2 ICLK	MPC
0008 C188h	MPC	P90 Pin Function Control Register	P90PFS	8	8	2, 3 PCLKB	2 ICLK	MPC
0008 C189h	MPC	P91 Pin Function Control Register	P91PFS	8	8	2, 3 PCLKB	2 ICLK	MPC
0008 C18Ah	MPC	P92 Pin Function Control Register	P92PFS	8	8	2, 3 PCLKB	2 ICLK	MPC
0008 C18Bh	MPC	P93 Pin Function Control Register	P93PFS	8	8	2, 3 PCLKB	2 ICLK	MPC
0008 C18Ch	MPC	P94 Pin Function Control Register	P94PFS	8	8	2, 3 PCLKB	2 ICLK	MPC
0008 C18Dh	MPC	P95 Pin Function Control Register	P95PFS	8	8	2, 3 PCLKB	2 ICLK	MPC
0008 C18Eh	MPC	P96 Pin Function Control Register	P96PFS	8	8	2, 3 PCLKB	2 ICLK	MPC
0008 C190h	MPC	PA0 Pin Function Control Register	PA0PFS	8	8	2, 3 PCLKB	2 ICLK	MPC

**Table 4.1 List of I/O Registers (Address Order) (30 / 56)**

Address	Module Symbol	Register Name	Register Symbol	Number of Bits	Access Size	Number of Access Cycles		Related Function
						ICLK ≥ PCLK	ICLK < PCLK	
0008 C191h	MPC	PA1 Pin Function Control Register	PA1PFS	8	8	2, 3 PCLKB	2 ICLK	MPC
0008 C192h	MPC	PA2 Pin Function Control Register	PA2PFS	8	8	2, 3 PCLKB	2 ICLK	MPC
0008 C193h	MPC	PA3 Pin Function Control Register	PA3PFS	8	8	2, 3 PCLKB	2 ICLK	MPC
0008 C194h	MPC	PA4 Pin Function Control Register	PA4PFS	8	8	2, 3 PCLKB	2 ICLK	MPC
0008 C195h	MPC	PA5 Pin Function Control Register	PA5PFS	8	8	2, 3 PCLKB	2 ICLK	MPC
0008 C196h	MPC	PA6 Pin Function Control Register	PA6PFS	8	8	2, 3 PCLKB	2 ICLK	MPC
0008 C197h	MPC	PA7 Pin Function Control Register	PA7PFS	8	8	2, 3 PCLKB	2 ICLK	MPC
0008 C198h	MPC	PB0 Pin Function Control Register	PB0PFS	8	8	2, 3 PCLKB	2 ICLK	MPC
0008 C199h	MPC	PB1 Pin Function Control Register	PB1PFS	8	8	2, 3 PCLKB	2 ICLK	MPC
0008 C19Ah	MPC	PB2 Pin Function Control Register	PB2PFS	8	8	2, 3 PCLKB	2 ICLK	MPC
0008 C19Bh	MPC	PB3 Pin Function Control Register	PB3PFS	8	8	2, 3 PCLKB	2 ICLK	MPC
0008 C19Ch	MPC	PB4 Pin Function Control Register	PB4PFS	8	8	2, 3 PCLKB	2 ICLK	MPC
0008 C19Dh	MPC	PB5 Pin Function Control Register	PB5PFS	8	8	2, 3 PCLKB	2 ICLK	MPC
0008 C19Eh	MPC	PB6 Pin Function Control Register	PB6PFS	8	8	2, 3 PCLKB	2 ICLK	MPC
0008 C19Fh	MPC	PB7 Pin Function Control Register	PB7PFS	8	8	2, 3 PCLKB	2 ICLK	MPC
0008 C1A0h	MPC	PC0 Pin Function Control Register	PC0PFS	8	8	2, 3 PCLKB	2 ICLK	MPC
0008 C1A1h	MPC	PC1 Pin Function Control Register	PC1PFS	8	8	2, 3 PCLKB	2 ICLK	MPC
0008 C1A2h	MPC	PC2 Pin Function Control Register	PC2PFS	8	8	2, 3 PCLKB	2 ICLK	MPC
0008 C1A3h	MPC	PC3 Pin Function Control Register	PC3PFS	8	8	2, 3 PCLKB	2 ICLK	MPC
0008 C1A4h	MPC	PC4 Pin Function Control Register	PC4PFS	8	8	2, 3 PCLKB	2 ICLK	MPC
0008 C1A5h	MPC	PC5 Pin Function Control Register	PC5PFS	8	8	2, 3 PCLKB	2 ICLK	MPC
0008 C1A6h	MPC	PC6 Pin Function Control Register	PC6PFS	8	8	2, 3 PCLKB	2 ICLK	MPC
0008 C1A8h	MPC	PD0 Pin Function Control Register	PD0PFS	8	8	2, 3 PCLKB	2 ICLK	MPC
0008 C1A9h	MPC	PD1 Pin Function Control Register	PD1PFS	8	8	2, 3 PCLKB	2 ICLK	MPC
0008 C1AAh	MPC	PD2 Pin Function Control Register	PD2PFS	8	8	2, 3 PCLKB	2 ICLK	MPC
0008 C1ABh	MPC	PD3 Pin Function Control Register	PD3PFS	8	8	2, 3 PCLKB	2 ICLK	MPC
0008 C1ACh	MPC	PD4 Pin Function Control Register	PD4PFS	8	8	2, 3 PCLKB	2 ICLK	MPC
0008 C1ADh	MPC	PD5 Pin Function Control Register	PD5PFS	8	8	2, 3 PCLKB	2 ICLK	MPC
0008 C1AEh	MPC	PD6 Pin Function Control Register	PD6PFS	8	8	2, 3 PCLKB	2 ICLK	MPC
0008 C1AFh	MPC	PD7 Pin Function Control Register	PD7PFS	8	8	2, 3 PCLKB	2 ICLK	MPC
0008 C1B0h	MPC	PE0 Pin Function Control Register	PE0PFS	8	8	2, 3 PCLKB	2 ICLK	MPC
0008 C1B1h	MPC	PE1 Pin Function Control Register	PE1PFS	8	8	2, 3 PCLKB	2 ICLK	MPC
0008 C1B2h	MPC	PE2 Pin Function Control Register	PE2PFS	8	8	2, 3 PCLKB	2 ICLK	MPC
0008 C1B3h	MPC	PE3 Pin Function Control Register	PE3PFS	8	8	2, 3 PCLKB	2 ICLK	MPC
0008 C1B4h	MPC	PE4 Pin Function Control Register	PE4PFS	8	8	2, 3 PCLKB	2 ICLK	MPC
0008 C1B5h	MPC	PE5 Pin Function Control Register	PE5PFS	8	8	2, 3 PCLKB	2 ICLK	MPC
0008 C1B6h	MPC	PE6 Pin Function Control Register	PE6PFS	8	8	2, 3 PCLKB	2 ICLK	MPC
0008 C1B8h	MPC	PF0 Pin Function Control Register	PF0PFS	8	8	2, 3 PCLKB	2 ICLK	MPC
0008 C1B9h	MPC	PF1 Pin Function Control Register	PF1PFS	8	8	2, 3 PCLKB	2 ICLK	MPC
0008 C1BAh	MPC	PF2 Pin Function Control Register	PF2PFS	8	8	2, 3 PCLKB	2 ICLK	MPC
0008 C1BBh	MPC	PF3 Pin Function Control Register	PF3PFS	8	8	2, 3 PCLKB	2 ICLK	MPC
0008 C1C0h	MPC	PG0 Pin Function Control Register	PG0PFS	8	8	2, 3 PCLKB	2 ICLK	MPC
0008 C1C1h	MPC	PG1 Pin Function Control Register	PG1PFS	8	8	2, 3 PCLKB	2 ICLK	MPC
0008 C1C2h	MPC	PG2 Pin Function Control Register	PG2PFS	8	8	2, 3 PCLKB	2 ICLK	MPC
0008 C1C8h	MPC	PH0 Pin Function Control Register	PH0PFS	8	8	2, 3 PCLKB	2 ICLK	MPC
0008 C1C9h	MPC	PH1 Pin Function Control Register	PH1PFS	8	8	2, 3 PCLKB	2 ICLK	MPC
0008 C1CAh	MPC	PH2 Pin Function Control Register	PH2PFS	8	8	2, 3 PCLKB	2 ICLK	MPC
0008 C1CBh	MPC	PH3 Pin Function Control Register	PH3PFS	8	8	2, 3 PCLKB	2 ICLK	MPC
0008 C1CCh	MPC	PH4 Pin Function Control Register	PH4PFS	8	8	2, 3 PCLKB	2 ICLK	MPC
0008 C1CDh	MPC	PH5 Pin Function Control Register	PH5PFS	8	8	2, 3 PCLKB	2 ICLK	MPC

**Table 4.1 List of I/O Registers (Address Order) (31 / 56)**

Address	Module Symbol	Register Name	Register Symbol	Number of Bits	Access Size	Number of Access Cycles		Related Function
						ICLK ≥ PCLK	ICLK < PCLK	
0008 C1CEh	MPC	PH6 Pin Function Control Register	PH6PFS	8	8	2, 3 PCLKB	2 ICLK	MPC
0008 C1CFh	MPC	PH7 Pin Function Control Register	PH7PFS	8	8	2, 3 PCLKB	2 ICLK	MPC
0008 C1D8h	MPC	PK0 Pin Function Control Register	PK0PFS	8	8	2, 3 PCLKB	2 ICLK	MPC
0008 C1D9h	MPC	PK1 Pin Function Control Register	PK1PFS	8	8	2, 3 PCLKB	2 ICLK	MPC
0008 C1DAh	MPC	PK2 Pin Function Control Register	PK2PFS	8	8	2, 3 PCLKB	2 ICLK	MPC
0008 C280h	SYSTEM	Deep Standby Control Register	DPSBYCR	8	8	4, 5 PCLKB	2, 3 ICLK	Low Power Consumption
0008 C282h	SYSTEM	Deep Standby Interrupt Enable Register 0	DPSIER0	8	8	4, 5 PCLKB	2, 3 ICLK	Low Power Consumption
0008 C283h	SYSTEM	Deep Standby Interrupt Enable Register 1	DPSIER1	8	8	4, 5 PCLKB	2, 3 ICLK	Low Power Consumption
0008 C284h	SYSTEM	Deep Standby Interrupt Enable Register 2	DPSIER2	8	8	4, 5 PCLKB	2, 3 ICLK	Low Power Consumption
0008 C286h	SYSTEM	Deep Standby Interrupt Flag Register 0	DPSIFR0	8	8	4, 5 PCLKB	2, 3 ICLK	Low Power Consumption
0008 C287h	SYSTEM	Deep Standby Interrupt Flag Register 1	DPSIFR1	8	8	4, 5 PCLKB	2, 3 ICLK	Low Power Consumption
0008 C288h	SYSTEM	Deep Standby Interrupt Flag Register 2	DPSIFR2	8	8	4, 5 PCLKB	2, 3 ICLK	Low Power Consumption
0008 C28Ah	SYSTEM	Deep Standby Interrupt Edge Register 0	DPSIEGR0	8	8	4, 5 PCLKB	2, 3 ICLK	Low Power Consumption
0008 C28Bh	SYSTEM	Deep Standby Interrupt Edge Register 1	DPSIEGR1	8	8	4, 5 PCLKB	2, 3 ICLK	Low Power Consumption
0008 C28Ch	SYSTEM	Deep Standby Interrupt Edge Register 2	DPSIEGR2	8	8	4, 5 PCLKB	2, 3 ICLK	Low Power Consumption
0008 C290h	SYSTEM	Reset Status Register 0	RSTSR0	8	8	4, 5 PCLKB	2, 3 ICLK	Resets
0008 C291h	SYSTEM	Reset Status Register 1	RSTSR1	8	8	4, 5 PCLKB	2, 3 ICLK	Resets
0008 C293h	SYSTEM	Main Clock Oscillator Function Control Register	MOFCR	8	8	4, 5 PCLKB	2, 3 ICLK	Clock Generation Circuit
0008 C294h	SYSTEM	High-Speed On-Chip Oscillator Power Supply Control Register	HOCOPCR	8	8	4, 5 PCLKB	2, 3 ICLK	Clock Generation Circuit
0008 C295h	SYSTEM	Voltage Level Setting Register	VOLSR	8	8	4, 5 PCLKB	2, 3 ICLK	Operating Modes
0008 C296h	FLASH	Flash P/E Protect Register	FWEPOR	8	8	4, 5 PCLKB	2, 3 ICLK	Flash
0008 C297h	SYSTEM	Voltage Monitoring Circuit Control Register	LVCMPCR	8	8	4, 5 PCLKB	2, 3 ICLK	LVDA
0008 C298h	SYSTEM	Voltage Detection Level Select Register	LVDLVL	8	8	4, 5 PCLKB	2, 3 ICLK	LVDA
0008 C29Ah	SYSTEM	Voltage Monitoring 1 Circuit Control Register 0	LVD1CR0	8	8	4, 5 PCLKB	2, 3 ICLK	LVDA
0008 C29Bh	SYSTEM	Voltage Monitoring 2 Circuit Control Register 0	LVD2CR0	8	8	4, 5 PCLKB	2, 3 ICLK	LVDA

Table 4.1 List of I/O Registers (Address Order) (32 / 56)

Address	Module Symbol	Register Name	Register Symbol	Number of Bits	Access Size	Number of Access Cycles		Related Function
						ICLK ≥ PCLK	ICLK < PCLK	
0008 C2A0h to 0008 C2BFh	SYSTEM	Deep Standby Backup Register 0 to Deep Standby Backup Register 31	DPSBKR0 to DPSBKR31	8	8	4, 5 PCLKB	2, 3 ICLK	Low Power Consumption
0009 0200h to 0009 03FFh	CAN0	Mailbox Register 0 to Mailbox Register 31	MB0 to MB31	128	8, 16, 32*2	2, 3 PCLKB	2 ICLK	CAN
0009 0400h to 0009 041Fh	CAN0	Mask Register 0 to Mask Register 7	MKR0 to MKR7	32	8, 16, 32	2, 3 PCLKB	2 ICLK	CAN
0009 0420h	CAN0	FIFO Received ID Compare Register 0	FIDCR0	32	8, 16, 32	2, 3 PCLKB	2 ICLK	CAN
0009 0424h	CAN0	FIFO Received ID Compare Register 1	FIDCR1	32	8, 16, 32	2, 3 PCLKB	2 ICLK	CAN
0009 0428h	CAN0	Mask Invalid Register	MKIVLR	32	8, 16, 32	2, 3 PCLKB	2 ICLK	CAN
0009 042Ch	CAN0	Mailbox Interrupt Enable Register	MIER	32	8, 16, 32	2, 3 PCLKB	2 ICLK	CAN
0009 0820h to 0009 083Fh	CAN0	Message Control Register 0 to Message Control Register 31	MCTL0 to MCTL31	8	8	2, 3 PCLKB	2 ICLK	CAN
0009 0840h	CAN0	Control Register	CTLR	16	8, 16	2, 3 PCLKB	2 ICLK	CAN
0009 0842h	CAN0	Status Register	STR	16	8, 16	2, 3 PCLKB	2 ICLK	CAN
0009 0844h	CAN0	Bit Configuration Register	BCR	32	8, 16, 32	2, 3 PCLKB	2 ICLK	CAN
0009 0848h	CAN0	Receive FIFO Control Register	RFCR	8	8	2, 3 PCLKB	2 ICLK	CAN
0009 0849h	CAN0	Receive FIFO Pointer Control Register	RFPCR	8	8	2, 3 PCLKB	2 ICLK	CAN
0009 084Ah	CAN0	Transmit FIFO Control Register	TFCR	8	8	2, 3 PCLKB	2 ICLK	CAN
0009 084Bh	CAN0	Transmit FIFO Pointer Control Register	TFPCR	8	8	2, 3 PCLKB	2 ICLK	CAN
0009 084Ch	CAN0	Error Interrupt Enable Register	EIER	8	8	2, 3 PCLKB	2 ICLK	CAN
0009 084Dh	CAN0	Error Interrupt Factor Judge Register	EIFR	8	8	2, 3 PCLKB	2 ICLK	CAN
0009 084Eh	CAN0	Receive Error Count Register	RECR	8	8	2, 3 PCLKB	2 ICLK	CAN
0009 084Fh	CAN0	Transmit Error Count Register	TECR	8	8	2, 3 PCLKB	2 ICLK	CAN
0009 0850h	CAN0	Error Code Store Register	ECSR	8	8	2, 3 PCLKB	2 ICLK	CAN
0009 0851h	CAN0	Channel Search Support Register	CSSR	8	8	2, 3 PCLKB	2 ICLK	CAN
0009 0852h	CAN0	Mailbox Search Status Register	MSSR	8	8	2, 3 PCLKB	2 ICLK	CAN
0009 0853h	CAN0	Mailbox Search Mode Register	MSMR	8	8	2, 3 PCLKB	2 ICLK	CAN
0009 0854h	CAN0	Time Stamp Register	TSR	16	16	2, 3 PCLKB	2 ICLK	CAN
0009 0856h	CAN0	Acceptance Filter Support Register	AFSR	16	16	2, 3 PCLKB	2 ICLK	CAN
0009 0858h	CAN0	Test Control Register	TCR	8	8	2, 3 PCLKB	2 ICLK	CAN
0009 E000h	POEG	POEG Group A Setting Register	POEGGA	32	32	2, 3 PCLKB	2 ICLK	POEG
0009 E040h	POEG	GPTW Output Negate Control Group A writing Protection Register	GTONCWPA	16	16	2, 3 PCLKB	2 ICLK	POEG
0009 E044h	POEG	GPTW Output Negate Control Group A Controlling Register	GTONCCRA	16	16	2, 3 PCLKB	2 ICLK	POEG
0009 E100h	POEG	POEG Group B Setting Register	POEGGB	32	32	2, 3 PCLKB	2 ICLK	POEG
0009 E140h	POEG	GPTW Output Negate Control Group B writing Protection Register	GTONCWPB	16	16	2, 3 PCLKB	2 ICLK	POEG
0009 E144h	POEG	GPTW Output Negate Control Group B Controlling Register	GTONCCRB	16	16	2, 3 PCLKB	2 ICLK	POEG
0009 E200h	POEG	POEG Group C Setting Register	POEGGC	32	32	2, 3 PCLKB	2 ICLK	POEG
0009 E240h	POEG	GPTW Output Negate Control Group C writing Protection Register	GTONCWPC	16	16	2, 3 PCLKB	2 ICLK	POEG
0009 E244h	POEG	GPTW Output Negate Control Group C Controlling Register	GTONCCRC	16	16	2, 3 PCLKB	2 ICLK	POEG
0009 E300h	POEG	POEG Group D Setting Register	POEGGD	32	32	2, 3 PCLKB	2 ICLK	POEG
0009 E340h	POEG	GPTW Output Negate Control Group D writing Protection Register	GTONCWPD	16	16	2, 3 PCLKB	2 ICLK	POEG
0009 E344h	POEG	GPTW Output Negate Control Group D Controlling Register	GTONCCRD	16	16	2, 3 PCLKB	2 ICLK	POEG
0009 E400h	POE	Input Level Control/Status Register 1	ICSR1	16	16	2, 3 PCLKB	2 ICLK	POE3B
0009 E402h	POE	Output Level Control/Status Register 1	OCSR1	16	16	2, 3 PCLKB	2 ICLK	POE3B
0009 E404h	POE	Input Level Control/Status Register 2	ICSR2	16	16	2, 3 PCLKB	2 ICLK	POE3B
0009 E406h	POE	Output Level Control/Status Register 2	OCSR2	16	16	2, 3 PCLKB	2 ICLK	POE3B

**Table 4.1 List of I/O Registers (Address Order) (33 / 56)**

Address	Module Symbol	Register Name	Register Symbol	Number of Bits	Access Size	Number of Access Cycles		Related Function
						ICLK ≥ PCLK	ICLK < PCLK	
0009 E408h	POE	Input Level Control/Status Register 3	ICSR3	16	16	2, 3 PCLKB	2 ICLK	POE3B
0009 E40Bh	POE	Port Output Enable Control Register 1	POECR1	8	8	2, 3 PCLKB	2 ICLK	POE3B
0009 E40Ch	POE	Port Output Enable Control Register 2	POECR2	16	16	2, 3 PCLKB	2 ICLK	POE3B
0009 E40Eh	POE	Port Output Enable Control Register 3	POECR3	16	16	2, 3 PCLKB	2 ICLK	POE3B
0009 E410h	POE	Port Output Enable Control Register 4	POECR4	16	16	2, 3 PCLKB	2 ICLK	POE3B
0009 E412h	POE	Port Output Enable Control Register 5	POECR5	16	16	2, 3 PCLKB	2 ICLK	POE3B
0009 E414h	POE	Port Output Enable Control Register 6	POECR6	16	16	2, 3 PCLKB	2 ICLK	POE3B
0009 E416h	POE	Input Level Control/Status Register 4	ICSR4	16	16	2, 3 PCLKB	2 ICLK	POE3B
0009 E418h	POE	Input Level Control/Status Register 5	ICSR5	16	16	2, 3 PCLKB	2 ICLK	POE3B
0009 E41Ah	POE	Active Level Setting Register 1	ALR1	16	16	2, 3 PCLKB	2 ICLK	POE3B
0009 E41Ch	POE	Input Level Control/Status Register 6	ICSR6	16	16	2, 3 PCLKB	2 ICLK	POE3B
0009 E41Eh	POE	Active Level Setting Register 2	ALR2	16	16	2, 3 PCLKB	2 ICLK	POE3B
0009 E420h	POE	Input Level Control/Status Register 7	ICSR7	16	16	2, 3 PCLKB	2 ICLK	POE3B
0009 E422h	POE	Port Output Enable Control Register 7	POECR7	16	16	2, 3 PCLKB	2 ICLK	POE3B
0009 E424h	POE	Port Output Enable Control Register 8	POECR8	16	16	2, 3 PCLKB	2 ICLK	POE3B
0009 E426h	POE	Port Output Enable Comparator Detection Flag Register	POECMPFR	16	16	2, 3 PCLKB	2 ICLK	POE3B
0009 E428h	POE	Port Output Enable Comparator Request Select Register	POECMPSEL	16	16	2, 3 PCLKB	2 ICLK	POE3B
0009 E42Ah	POE	Output Level Control/Status Register 3	OCSR3	16	16	2, 3 PCLKB	2 ICLK	POE3B
0009 E42Ch	POE	Active Level Setting Register 3	ALR3	16	16	2, 3 PCLKB	2 ICLK	POE3B
0009 E42Eh	POE	Software Port Output Enable Register	SPOER	16	16	2, 3 PCLKB	2 ICLK	POE3B
0009 E430h	POE	Port Mode Mask Control Register 0	PMMCR0	16	16	2, 3 PCLKB	2 ICLK	POE3B
0009 E432h	POE	Port Mode Mask Control Register 1	PMMCR1	16	16	2, 3 PCLKB	2 ICLK	POE3B
0009 E434h	POE	Port Mode Mask Control Register 2	PMMCR2	16	16	2, 3 PCLKB	2 ICLK	POE3B
0009 E436h	POE	Port Mode Mask Control Register 3	PMMCR3	16	16	2, 3 PCLKB	2 ICLK	POE3B
0009 E438h	POE	Port Output Enable Comparator Request Extended Select Register 0	POECMPEX0	8	8	2, 3 PCLKB	2 ICLK	POE3B
0009 E439h	POE	Port Output Enable Comparator Request Extended Select Register 1	POECMPEX1	8	8	2, 3 PCLKB	2 ICLK	POE3B
0009 E43Ah	POE	Port Output Enable Comparator Request Extended Select Register 2	POECMPEX2	8	8	2, 3 PCLKB	2 ICLK	POE3B
0009 E43Bh	POE	Port Output Enable Comparator Request Extended Select Register 3	POECMPEX3	8	8	2, 3 PCLKB	2 ICLK	POE3B
0009 E43Ch	POE	Port Output Enable Comparator Request Extended Select Register 4	POECMPEX4	8	8	2, 3 PCLKB	2 ICLK	POE3B
0009 E43Dh	POE	Port Output Enable Comparator Request Extended Select Register 5	POECMPEX5	8	8	2, 3 PCLKB	2 ICLK	POE3B
0009 E440h	POE	Input Level Control/Status Register 8	ICSR8	16	16	2, 3 PCLKB	2 ICLK	POE3B
0009 E442h	POE	Input Level Control/Status Register 9	ICSR9	16	16	2, 3 PCLKB	2 ICLK	POE3B
0009 E444h	POE	Input Level Control/Status Register 10	ICSR10	16	16	2, 3 PCLKB	2 ICLK	POE3B
0009 E446h	POE	Output Level Control/Status Register 4	OCSR4	16	16	2, 3 PCLKB	2 ICLK	POE3B
0009 E448h	POE	Output Level Control/Status Register 5	OCSR5	16	16	2, 3 PCLKB	2 ICLK	POE3B
0009 E44Ah	POE	Active Level Setting Register 4	ALR4	16	16	2, 3 PCLKB	2 ICLK	POE3B
0009 E44Ch	POE	Active Level Setting Register 5	ALR5	16	16	2, 3 PCLKB	2 ICLK	POE3B
0009 E44Eh	POE	Port Output Enable Control Register 4B	POECR4B	16	16	2, 3 PCLKB	2 ICLK	POE3B
0009 E450h	POE	Port Output Enable Control Register 6B	POECR6B	16	16	2, 3 PCLKB	2 ICLK	POE3B
0009 E452h	POE	Port Output Enable Control Register 9	POECR9	16	16	2, 3 PCLKB	2 ICLK	POE3B
0009 E454h	POE	Port Output Enable Control Register 10	POECR10	16	16	2, 3 PCLKB	2 ICLK	POE3B
0009 E456h	POE	Port Output Enable Control Register 11	POECR11	16	16	2, 3 PCLKB	2 ICLK	POE3B
0009 E458h	POE	Port Output Enable Comparator Request Extended Select Register 6	POECMPEX6	8	8	2, 3 PCLKB	2 ICLK	POE3B
0009 E459h	POE	Port Output Enable Comparator Request Extended Select Register 7	POECMPEX7	8	8	2, 3 PCLKB	2 ICLK	POE3B
0009 E45Ah	POE	Port Output Enable Comparator Request Extended Select Register 8	POECMPEX8	8	8	2, 3 PCLKB	2 ICLK	POE3B



Table 4.1 List of I/O Registers (Address Order) (34 / 56)

Address	Module Symbol	Register Name	Register Symbol	Number of Bits	Access Size	Number of Access Cycles		Related Function
						ICLK ≥ PCLK	ICLK < PCLK	
0009 E460h	POE	MTU0 Pin Select Register 1	M0SELR1	8	8	2, 3 PCLKB	2 ICLK	POE3B
0009 E461h	POE	MTU0 Pin Select Register 2	M0SELR2	8	8	2, 3 PCLKB	2 ICLK	POE3B
0009 E462h	POE	MTU3 Pin Select Register	M3SELR	8	8	2, 3 PCLKB	2 ICLK	POE3B
0009 E463h	POE	MTU4 Pin Select Register 1	M4SELR1	8	8	2, 3 PCLKB	2 ICLK	POE3B
0009 E464h	POE	MTU4 Pin Select Register 2	M4SELR2	8	8	2, 3 PCLKB	2 ICLK	POE3B
0009 E465h	POE	MTU6 Pin Select Register	M6SELR	8	8	2, 3 PCLKB	2 ICLK	POE3B
0009 E466h	POE	MTU7 Pin Select Register 1	M7SELR1	8	8	2, 3 PCLKB	2 ICLK	POE3B
0009 E467h	POE	MTU7 Pin Select Register 2	M7SELR2	8	8	2, 3 PCLKB	2 ICLK	POE3B
0009 E468h	POE	MTU9 Pin Select Register 1	M9SELR1	8	8	2, 3 PCLKB	2 ICLK	POE3B
0009 E469h	POE	MTU9 Pin Select Register 2	M9SELR2	8	8	2, 3 PCLKB	2 ICLK	POE3B
0009 E46Ah	POE	GPTW0 Pin Select Register	G0SELR	8	8	2, 3 PCLKB	2 ICLK	POE3B
0009 E46Bh	POE	GPTW1 Pin Select Register	G1SELR	8	8	2, 3 PCLKB	2 ICLK	POE3B
0009 E46Ch	POE	GPTW2 Pin Select Register	G2SELR	8	8	2, 3 PCLKB	2 ICLK	POE3B
0009 E46Dh	POE	GPTW3 Pin Select Register	G3SELR	8	8	2, 3 PCLKB	2 ICLK	POE3B
0009 E46Eh	POE	GPTW4 Pin Select Register	G4SELR	8	8	2, 3 PCLKB	2 ICLK	POE3B
0009 E46Fh	POE	GPTW5 Pin Select Register	G5SELR	8	8	2, 3 PCLKB	2 ICLK	POE3B
0009 E470h	POE	GPTW6 Pin Select Register	G6SELR	8	8	2, 3 PCLKB	2 ICLK	POE3B
0009 E471h	POE	GPTW7 Pin Select Register	G7SELR	8	8	2, 3 PCLKB	2 ICLK	POE3B
0009 E472h	POE	GPTW8 Pin Select Register	G8SELR	8	8	2, 3 PCLKB	2 ICLK	POE3B
0009 E473h	POE	GPTW9 Pin Select Register	G9SELR	8	8	2, 3 PCLKB	2 ICLK	POE3B
000A 0000h	USB0	System Configuration Control Register	SYSCFG	16	16	3, 4 PCLKB	2 ICLK	USBb
000A 0004h	USB0	System Configuration Status Register 0	SYSSTS0	16	16	9 PCLKB or more	Rounded up to the nearest integer greater than $1 + 9 \times (\text{frequency ratio of ICLK/PCLKB})^{*1}$	USBb
000A 0008h	USB0	Device State Control Register 0	DVSTCTR0	16	16	9 PCLKB or more	Rounded up to the nearest integer greater than $1 + 9 \times (\text{frequency ratio of ICLK/PCLKB})^{*1}$	USBb
000A 0014h	USB0	CFIFO Port Register	CFIFO	16	8, 16	3, 4 PCLKB	2 ICLK	USBb
000A 0018h	USB0	D0FIFO Port Register	D0FIFO	16	8, 16	3, 4 PCLKB	2 ICLK	USBb
000A 001Ch	USB0	D1FIFO Port Register	D1FIFO	16	8, 16	3, 4 PCLKB	2 ICLK	USBb
000A 0020h	USB0	CFIFO Port Select Register	CFIFOSEL	16	16	3, 4 PCLKB	2 ICLK	USBb
000A 0022h	USB0	CFIFO Port Control Register	CFIFOCTR	16	16	3, 4 PCLKB	2 ICLK	USBb
000A 0028h	USB0	D0FIFO Port Select Register	D0FIFOSEL	16	16	3, 4 PCLKB	2 ICLK	USBb
000A 002Ah	USB0	D0FIFO Port Control Register	D0FIFOCTR	16	16	3, 4 PCLKB	2 ICLK	USBb
000A 002Ch	USB0	D1FIFO Port Select Register	D1FIFOSEL	16	16	3, 4 PCLKB	2 ICLK	USBb
000A 002Eh	USB0	D1FIFO Port Control Register	D1FIFOCTR	16	16	3, 4 PCLKB	2 ICLK	USBb
000A 0030h	USB0	Interrupt Enable Register 0	INTENB0	16	16	9 PCLKB or more	Frequency with $1 + 9 \times (\text{frequency ratio of ICLK/PCLKB})^{*1}$	USBb
000A 0032h	USB0	Interrupt Enable Register 1	INTENB1	16	16	9 PCLKB or more	Frequency with $1 + 9 \times (\text{frequency ratio of ICLK/PCLKB})^{*1}$	USBb
000A 0036h	USB0	BRDY Interrupt Enable Register	BRDYENB	16	16	9 PCLKB or more	Frequency with $1 + 9 \times (\text{frequency ratio of ICLK/PCLKB})^{*1}$	USBb
000A 0038h	USB0	NRDY Interrupt Enable Register	NRDYENB	16	16	9 PCLKB or more	Frequency with $1 + 9 \times (\text{frequency ratio of ICLK/PCLKB})^{*1}$	USBb
000A 003Ah	USB0	BEMP Interrupt Enable Register	BEMPENB	16	16	9 PCLKB or more	Frequency with $1 + 9 \times (\text{frequency ratio of ICLK/PCLKB})^{*1}$	USBb

**Table 4.1 List of I/O Registers (Address Order) (35 / 56)**

Address	Module Symbol	Register Name	Register Symbol	Number of Bits	Access Size	Number of Access Cycles		Related Function
						ICLK ≥ PCLK	ICLK < PCLK	
000A 003Ch	USB0	SOF Output Configuration Register	SOFCFG	16	16	9 PCLKB or more	Frequency with $1 + 9 \times$ (frequency ratio of ICLK/PCLKB) <sup>*1</sup>	USBb
000A 0040h	USB0	Interrupt Status Register 0	INTSTS0	16	16	9 PCLKB or more	Frequency with $1 + 9 \times$ (frequency ratio of ICLK/PCLKB) <sup>*1</sup>	USBb
000A 0042h	USB0	Interrupt Status Register 1	INTSTS1	16	16	9 PCLKB or more	Frequency with $1 + 9 \times$ (frequency ratio of ICLK/PCLKB) <sup>*1</sup>	USBb
000A 0046h	USB0	BRDY Interrupt Status Register	BRDYSTS	16	16	9 PCLKB or more	Frequency with $1 + 9 \times$ (frequency ratio of ICLK/PCLKB) <sup>*1</sup>	USBb
000A 0048h	USB0	NRDY Interrupt Status Register	NRDYSTS	16	16	9 PCLKB or more	Frequency with $1 + 9 \times$ (frequency ratio of ICLK/PCLKB) <sup>*1</sup>	USBb
000A 004Ah	USB0	BEMP Interrupt Status Register	BEMPSTS	16	16	9 PCLKB or more	Frequency with $1 + 9 \times$ (frequency ratio of ICLK/PCLKB) <sup>*1</sup>	USBb
000A 004Ch	USB0	Frame Number Register	FRMNUM	16	16	9 PCLKB or more	Frequency with $1 + 9 \times$ (frequency ratio of ICLK/PCLKB) <sup>*1</sup>	USBb
000A 0054h	USB0	USB Request Type Register	USBREQ	16	16	9 PCLKB or more	Frequency with $1 + 9 \times$ (frequency ratio of ICLK/PCLKB) <sup>*1</sup>	USBb
000A 0056h	USB0	USB Request Value Register	USBVAL	16	16	9 PCLKB or more	Frequency with $1 + 9 \times$ (frequency ratio of ICLK/PCLKB) <sup>*1</sup>	USBb
000A 0058h	USB0	USB Request Index Register	USBINDX	16	16	9 PCLKB or more	Frequency with $1 + 9 \times$ (frequency ratio of ICLK/PCLKB) <sup>*1</sup>	USBb
000A 005Ah	USB0	USB Request Length Register	USBLENG	16	16	9 PCLKB or more	Frequency with $1 + 9 \times$ (frequency ratio of ICLK/PCLKB) <sup>*1</sup>	USBb
000A 005Ch	USB0	DCP Configuration Register	DCPCFG	16	16	9 PCLKB or more	Frequency with $1 + 9 \times$ (frequency ratio of ICLK/PCLKB) <sup>*1</sup>	USBb
000A 005Eh	USB0	DCP Maximum Packet Size Register	DCPMAXP	16	16	9 PCLKB or more	Frequency with $1 + 9 \times$ (frequency ratio of ICLK/PCLKB) <sup>*1</sup>	USBb
000A 0060h	USB0	DCP Control Register	DCPCTR	16	16	9 PCLKB or more	Frequency with $1 + 9 \times$ (frequency ratio of ICLK/PCLKB) <sup>*1</sup>	USBb
000A 0064h	USB0	Pipe Window Select Register	PIPESEL	16	16	9 PCLKB or more	Frequency with $1 + 9 \times$ (frequency ratio of ICLK/PCLKB) <sup>*1</sup>	USBb
000A 0068h	USB0	Pipe Configuration Register	PIPECFG	16	16	9 PCLKB or more	Frequency with $1 + 9 \times$ (frequency ratio of ICLK/PCLKB) <sup>*1</sup>	USBb
000A 006Ch	USB0	Pipe Maximum Packet Size Register	PIPEMAXP	16	16	9 PCLKB or more	Frequency with $1 + 9 \times$ (frequency ratio of ICLK/PCLKB) <sup>*1</sup>	USBb
000A 006Eh	USB0	Pipe Cycle Control Register	PIPEPERI	16	16	9 PCLKB or more	Frequency with $1 + 9 \times$ (frequency ratio of ICLK/PCLKB) <sup>*1</sup>	USBb
000A 0070h	USB0	PIPE1 Control Register	PIPE1CTR	16	16	9 PCLKB or more	Frequency with $1 + 9 \times$ (frequency ratio of ICLK/PCLKB) <sup>*1</sup>	USBb
000A 0072h	USB0	PIPE2 Control Register	PIPE2CTR	16	16	9 PCLKB or more	Frequency with $1 + 9 \times$ (frequency ratio of ICLK/PCLKB) <sup>*1</sup>	USBb
000A 0074h	USB0	PIPE3 Control Register	PIPE3CTR	16	16	9 PCLKB or more	Frequency with $1 + 9 \times$ (frequency ratio of ICLK/PCLKB) <sup>*1</sup>	USBb



**Table 4.1 List of I/O Registers (Address Order) (36 / 56)**

Address	Module Symbol	Register Name	Register Symbol	Number of Bits	Access Size	Number of Access Cycles		Related Function
						ICLK ≥ PCLK	ICLK < PCLK	
000A 0076h	USB0	PIPE4 Control Register	PIPE4CTR	16	16	9 PCLKB or more	Frequency with $1 + 9 \times$ (frequency ratio of ICLK/PCLKB) <sup>*1</sup>	USBb
000A 0078h	USB0	PIPE5 Control Register	PIPE5CTR	16	16	9 PCLKB or more	Frequency with $1 + 9 \times$ (frequency ratio of ICLK/PCLKB) <sup>*1</sup>	USBb
000A 007Ah	USB0	PIPE6 Control Register	PIPE6CTR	16	16	9 PCLKB or more	Frequency with $1 + 9 \times$ (frequency ratio of ICLK/PCLKB) <sup>*1</sup>	USBb
000A 007Ch	USB0	PIPE7 Control Register	PIPE7CTR	16	16	9 PCLKB or more	Frequency with $1 + 9 \times$ (frequency ratio of ICLK/PCLKB) <sup>*1</sup>	USBb
000A 007Eh	USB0	PIPE8 Control Register	PIPE8CTR	16	16	9 PCLKB or more	Frequency with $1 + 9 \times$ (frequency ratio of ICLK/PCLKB) <sup>*1</sup>	USBb
000A 0080h	USB0	PIPE9 Control Register	PIPE9CTR	16	16	9 PCLKB or more	Frequency with $1 + 9 \times$ (frequency ratio of ICLK/PCLKB) <sup>*1</sup>	USBb
000A 0090h	USB0	Pipe1 Transaction Counter Enable Register	PIPE1TRE	16	16	9 PCLKB or more	Frequency with $1 + 9 \times$ (frequency ratio of ICLK/PCLKB) <sup>*1</sup>	USBb
000A 0092h	USB0	Pipe1 Transaction Counter Register	PIPE1TRN	16	16	9 PCLKB or more	Frequency with $1 + 9 \times$ (frequency ratio of ICLK/PCLKB) <sup>*1</sup>	USBb
000A 0094h	USB0	Pipe2 Transaction Counter Enable Register	PIPE2TRE	16	16	9 PCLKB or more	Frequency with $1 + 9 \times$ (frequency ratio of ICLK/PCLKB) <sup>*1</sup>	USBb
000A 0096h	USB0	Pipe2 Transaction Counter Register	PIPE2TRN	16	16	9 PCLKB or more	Frequency with $1 + 9 \times$ (frequency ratio of ICLK/PCLKB) <sup>*1</sup>	USBb
000A 0098h	USB0	Pipe3 Transaction Counter Enable Register	PIPE3TRE	16	16	9 PCLKB or more	Frequency with $1 + 9 \times$ (frequency ratio of ICLK/PCLKB) <sup>*1</sup>	USBb
000A 009Ah	USB0	Pipe3 Transaction Counter Register	PIPE3TRN	16	16	9 PCLKB or more	Frequency with $1 + 9 \times$ (frequency ratio of ICLK/PCLKB) <sup>*1</sup>	USBb
000A 009Ch	USB0	Pipe4 Transaction Counter Enable Register	PIPE4TRE	16	16	9 PCLKB or more	Frequency with $1 + 9 \times$ (frequency ratio of ICLK/PCLKB) <sup>*1</sup>	USBb
000A 009Eh	USB0	Pipe4 Transaction Counter Register	PIPE4TRN	16	16	9 PCLKB or more	Frequency with $1 + 9 \times$ (frequency ratio of ICLK/PCLKB) <sup>*1</sup>	USBb
000A 00A0h	USB0	Pipe5 Transaction Counter Enable Register	PIPE5TRE	16	16	9 PCLKB or more	Frequency with $1 + 9 \times$ (frequency ratio of ICLK/PCLKB) <sup>*1</sup>	USBb
000A 00A2h	USB0	Pipe5 Transaction Counter Register	PIPE5TRN	16	16	9 PCLKB or more	Frequency with $1 + 9 \times$ (frequency ratio of ICLK/PCLKB) <sup>*1</sup>	USBb
000A 00D0h	USB0	Device Address 0 Configuration Register	DEVADD0	16	16	9 PCLKB or more	Frequency with $1 + 9 \times$ (frequency ratio of ICLK/PCLKB) <sup>*1</sup>	USBb
000A 00D2h	USB0	Device Address 1 Configuration Register	DEVADD1	16	16	9 PCLKB or more	Frequency with $1 + 9 \times$ (frequency ratio of ICLK/PCLKB) <sup>*1</sup>	USBb
000A 00D4h	USB0	Device Address 2 Configuration Register	DEVADD2	16	16	9 PCLKB or more	Frequency with $1 + 9 \times$ (frequency ratio of ICLK/PCLKB) <sup>*1</sup>	USBb
000A 00D6h	USB0	Device Address 3 Configuration Register	DEVADD3	16	16	9 PCLKB or more	Frequency with $1 + 9 \times$ (frequency ratio of ICLK/PCLKB) <sup>*1</sup>	USBb
000A 00D8h	USB0	Device Address 4 Configuration Register	DEVADD4	16	16	9 PCLKB or more	Frequency with $1 + 9 \times$ (frequency ratio of ICLK/PCLKB) <sup>*1</sup>	USBb

Table 4.1 List of I/O Registers (Address Order) (37 / 56)

Address	Module Symbol	Register Name	Register Symbol	Number of Bits	Access Size	Number of Access Cycles		Related Function
						ICLK ≥ PCLK	ICLK < PCLK	
000A 00DAh	USB0	Device Address 5 Configuration Register	DEVADD5	16	16	9 PCLKB or more	Frequency with $1 + 9 \times (\text{frequency ratio of ICLK/PCLKB})^{*1}$	USBb
000A 00F0h	USB0	PHY Cross Point Adjustment Register	PHYSLEW	32	32	9 PCLKB or more	Frequency with $1 + 9 \times (\text{frequency ratio of ICLK/PCLKB})^{*1}$	USBb
000A 0C80h	CMPC0	Comparator Control Register	CMPCTL	8	8	1, 2 PCLKB	1, 2 ICLK	CMPC
000A 0C84h	CMPC0	Comparator Input Select Register	CMPSEL0	8	8	1, 2 PCLKB	1, 2 ICLK	CMPC
000A 0C88h	CMPC0	Comparator Reference Voltage Select Register	CMPSEL1	8	8	1, 2 PCLKB	1, 2 ICLK	CMPC
000A 0C8Ch	CMPC0	Comparator Output Monitor Register	CMPMON	8	8	1, 2 PCLKB	1, 2 ICLK	CMPC
000A 0C90h	CMPC0	Comparator External Output Enable Register	CMPIOC	8	8	1, 2 PCLKB	1, 2 ICLK	CMPC
000A 0CA0h	CMPC1	Comparator Control Register	CMPCTL	8	8	1, 2 PCLKB	1, 2 ICLK	CMPC
000A 0CA4h	CMPC1	Comparator Input Select Register	CMPSEL0	8	8	1, 2 PCLKB	1, 2 ICLK	CMPC
000A 0CA8h	CMPC1	Comparator Reference Voltage Select Register	CMPSEL1	8	8	1, 2 PCLKB	1, 2 ICLK	CMPC
000A 0CACH	CMPC1	Comparator Output Monitor Register	CMPMON	8	8	1, 2 PCLKB	1, 2 ICLK	CMPC
000A 0CB0h	CMPC1	Comparator External Output Enable Register	CMPIOC	8	8	1, 2 PCLKB	1, 2 ICLK	CMPC
000A 0CC0h	CMPC2	Comparator Control Register	CMPCTL	8	8	1, 2 PCLKB	1, 2 ICLK	CMPC
000A 0CC4h	CMPC2	Comparator Input Select Register	CMPSEL0	8	8	1, 2 PCLKB	1, 2 ICLK	CMPC
000A 0CC8h	CMPC2	Comparator Reference Voltage Select Register	CMPSEL1	8	8	1, 2 PCLKB	1, 2 ICLK	CMPC
000A 0CCCh	CMPC2	Comparator Output Monitor Register	CMPMON	8	8	1, 2 PCLKB	1, 2 ICLK	CMPC
000A 0CD0h	CMPC2	Comparator External Output Enable Register	CMPIOC	8	8	1, 2 PCLKB	1, 2 ICLK	CMPC
000A 0CE0h	CMPC3	Comparator Control Register	CMPCTL	8	8	1, 2 PCLKB	1, 2 ICLK	CMPC
000A 0CE4h	CMPC3	Comparator Input Select Register	CMPSEL0	8	8	1, 2 PCLKB	1, 2 ICLK	CMPC
000A 0CE8h	CMPC3	Comparator Reference Voltage Select Register	CMPSEL1	8	8	1, 2 PCLKB	1, 2 ICLK	CMPC
000A 0CECh	CMPC3	Comparator Output Monitor Register	CMPMON	8	8	1, 2 PCLKB	1, 2 ICLK	CMPC
000A 0CF0h	CMPC3	Comparator External Output Enable Register	CMPIOC	8	8	1, 2 PCLKB	1, 2 ICLK	CMPC
000A 0D00h	CMPC4	Comparator Control Register	CMPCTL	8	8	1, 2 PCLKB	1, 2 ICLK	CMPC
000A 0D04h	CMPC4	Comparator Input Select Register	CMPSEL0	8	8	1, 2 PCLKB	1, 2 ICLK	CMPC
000A 0D08h	CMPC4	Comparator Reference Voltage Select Register	CMPSEL1	8	8	1, 2 PCLKB	1, 2 ICLK	CMPC
000A 0D0Ch	CMPC4	Comparator Output Monitor Register	CMPMON	8	8	1, 2 PCLKB	1, 2 ICLK	CMPC
000A 0D10h	CMPC4	Comparator External Output Enable Register	CMPIOC	8	8	1, 2 PCLKB	1, 2 ICLK	CMPC
000A 0D20h	CMPC5	Comparator Control Register	CMPCTL	8	8	1, 2 PCLKB	1, 2 ICLK	CMPC
000A 0D24h	CMPC5	Comparator Input Select Register	CMPSEL0	8	8	1, 2 PCLKB	1, 2 ICLK	CMPC
000A 0D28h	CMPC5	Comparator Reference Voltage Select Register	CMPSEL1	8	8	1, 2 PCLKB	1, 2 ICLK	CMPC
000A 0D2Ch	CMPC5	Comparator Output Monitor Register	CMPMON	8	8	1, 2 PCLKB	1, 2 ICLK	CMPC
000A 0D30h	CMPC5	Comparator External Output Enable Register	CMPIOC	8	8	1, 2 PCLKB	1, 2 ICLK	CMPC
000C 1200h	MTU3	Timer Control Register	TCR	8	8, 16, 32	4 to 7 PCLKA	2 to 4 ICLK	MTU3d
000C 1201h	MTU4	Timer Control Register	TCR	8	8	4 to 7 PCLKA	2 to 4 ICLK	MTU3d
000C 1202h	MTU3	Timer Mode Register 1	TMDR1	8	8, 16	4 to 7 PCLKA	2 to 4 ICLK	MTU3d
000C 1203h	MTU4	Timer Mode Register 1	TMDR1	8	8	4 to 7 PCLKA	2 to 4 ICLK	MTU3d
000C 1204h	MTU3	Timer I/O Control Register H	TIORH	8	8, 16, 32	4 to 7 PCLKA	2 to 4 ICLK	MTU3d
000C 1205h	MTU3	Timer I/O Control Register L	TIORL	8	8	4 to 7 PCLKA	2 to 4 ICLK	MTU3d
000C 1206h	MTU4	Timer I/O Control Register H	TIORH	8	8, 16	4 to 7 PCLKA	2 to 4 ICLK	MTU3d
000C 1207h	MTU4	Timer I/O Control Register L	TIORL	8	8	4 to 7 PCLKA	2 to 4 ICLK	MTU3d
000C 1208h	MTU3	Timer Interrupt Enable Register	TIER	8	8, 16	4 to 7 PCLKA	2 to 4 ICLK	MTU3d
000C 1209h	MTU4	Timer Interrupt Enable Register	TIER	8	8	4 to 7 PCLKA	2 to 4 ICLK	MTU3d
000C 120Ah	MTU	Timer Output Master Enable Register A	TOERA	8	8	4 to 7 PCLKA	2 to 4 ICLK	MTU3d
000C 120Dh	MTU	Timer Gate Control Register A	TGCRA	8	8	4 to 7 PCLKA	2 to 4 ICLK	MTU3d
000C 120Eh	MTU	Timer Output Control Register 1A	TOCR1A	8	8, 16	4 to 7 PCLKA	2 to 4 ICLK	MTU3d
000C 120Fh	MTU	Timer Output Control Register 2A	TOCR2A	8	8	4 to 7 PCLKA	2 to 4 ICLK	MTU3d
000C 1210h	MTU3	Timer Counter	TCNT	16	16, 32	4 to 7 PCLKA	2 to 4 ICLK	MTU3d

**Table 4.1 List of I/O Registers (Address Order) (38 / 56)**

Address	Module Symbol	Register Name	Register Symbol	Number of Bits	Access Size	Number of Access Cycles		Related Function
						ICLK ≥ PCLK	ICLK < PCLK	
000C 1212h	MTU4	Timer Counter	TCNT	16	16	4 to 7 PCLKA	2 to 4 ICLK	MTU3d
000C 1214h	MTU	Timer Cycle Data Register A	TCDRA	16	16, 32	4 to 7 PCLKA	2 to 4 ICLK	MTU3d
000C 1216h	MTU	Timer Dead Time Data Register A	TDDRA	16	16	4 to 7 PCLKA	2 to 4 ICLK	MTU3d
000C 1218h	MTU3	Timer General Register A	TGRA	16	16, 32	4 to 7 PCLKA	2 to 4 ICLK	MTU3d
000C 121Ah	MTU3	Timer General Register B	TGRB	16	16	4 to 7 PCLKA	2 to 4 ICLK	MTU3d
000C 121Ch	MTU4	Timer General Register A	TGRA	16	16, 32	4 to 7 PCLKA	2 to 4 ICLK	MTU3d
000C 121Eh	MTU4	Timer General Register B	TGRB	16	16	4 to 7 PCLKA	2 to 4 ICLK	MTU3d
000C 1220h	MTU	Timer Subcounter A	TCNTSA	16	16, 32	4 to 7 PCLKA	2 to 4 ICLK	MTU3d
000C 1222h	MTU	Timer Cycle Buffer Register A	TCBRA	16	16	4 to 7 PCLKA	2 to 4 ICLK	MTU3d
000C 1224h	MTU3	Timer General Register C	TGRC	16	16, 32	4 to 7 PCLKA	2 to 4 ICLK	MTU3d
000C 1226h	MTU3	Timer General Register D	TGRD	16	16	4 to 7 PCLKA	2 to 4 ICLK	MTU3d
000C 1228h	MTU4	Timer General Register C	TGRC	16	16, 32	4 to 7 PCLKA	2 to 4 ICLK	MTU3d
000C 122Ah	MTU4	Timer General Register D	TGRD	16	16	4 to 7 PCLKA	2 to 4 ICLK	MTU3d
000C 122Ch	MTU3	Timer Status Register	TSR	8	8, 16	4 to 7 PCLKA	2 to 4 ICLK	MTU3d
000C 122Dh	MTU4	Timer Status Register	TSR	8	8	4 to 7 PCLKA	2 to 4 ICLK	MTU3d
000C 1230h	MTU	Timer Interrupt Skipping Set Register 1A	TITCR1A	8	8, 16	4 to 7 PCLKA	2 to 4 ICLK	MTU3d
000C 1231h	MTU	Timer Interrupt Skipping Counter 1A	TITCNT1A	8	8	4 to 7 PCLKA	2 to 4 ICLK	MTU3d
000C 1232h	MTU	Timer Buffer Transfer Set Register A	TBTERA	8	8	4 to 7 PCLKA	2 to 4 ICLK	MTU3d
000C 1234h	MTU	Timer Dead Time Enable Register A	TDERA	8	8	4 to 7 PCLKA	2 to 4 ICLK	MTU3d
000C 1236h	MTU	Timer Output Level Buffer Register A	TOLBRA	8	8	4 to 7 PCLKA	2 to 4 ICLK	MTU3d
000C 1238h	MTU3	Timer Buffer Operation Transfer Mode Register	TBTM	8	8, 16	4 to 7 PCLKA	2 to 4 ICLK	MTU3d
000C 1239h	MTU4	Timer Buffer Operation Transfer Mode Register	TBTM	8	8	4 to 7 PCLKA	2 to 4 ICLK	MTU3d
000C 123Ah	MTU	Timer Interrupt Skipping Mode Register A	TITMRA	8	8	4 to 7 PCLKA	2 to 4 ICLK	MTU3d
000C 123Bh	MTU	Timer Interrupt Skipping Set Register 2A	TITCR2A	8	8	4 to 7 PCLKA	2 to 4 ICLK	MTU3d
000C 123Ch	MTU	Timer Interrupt Skipping Counter 2A	TITCNT2A	8	8	4 to 7 PCLKA	2 to 4 ICLK	MTU3d
000C 1240h	MTU4	Timer A/D Converter Start Request Control Register	TADCR	16	16	4 to 7 PCLKA	2 to 4 ICLK	MTU3d
000C 1244h	MTU4	Timer A/D Converter Start Request Cycle Set Register A	TADCORA	16	16, 32	4 to 7 PCLKA	2 to 4 ICLK	MTU3d
000C 1246h	MTU4	Timer A/D Converter Start Request Cycle Set Register B	TADCORB	16	16	4 to 7 PCLKA	2 to 4 ICLK	MTU3d
000C 1248h	MTU4	Timer A/D Converter Start Request Cycle Set Buffer Register A	TADCOBRA	16	16, 32	4 to 7 PCLKA	2 to 4 ICLK	MTU3d
000C 124Ah	MTU4	Timer A/D Converter Start Request Cycle Set Buffer Register B	TADCOBRB	16	16	4 to 7 PCLKA	2 to 4 ICLK	MTU3d
000C 124Ch	MTU3	Timer Control Register 2	TCR2	8	8	4 to 7 PCLKA	2 to 4 ICLK	MTU3d
000C 124Dh	MTU4	Timer Control Register 2	TCR2	8	8	4 to 7 PCLKA	2 to 4 ICLK	MTU3d
000C 1260h	MTU	Timer Waveform Control Register A	TWCRA	8	8	4 to 7 PCLKA	2 to 4 ICLK	MTU3d
000C 1270h	MTU	Timer Mode Register 2A	TMDR2A	8	8	4 to 7 PCLKA	2 to 4 ICLK	MTU3d
000C 1272h	MTU3	Timer General Register E	TGRE	16	16	4 to 7 PCLKA	2 to 4 ICLK	MTU3d
000C 1274h	MTU4	Timer General Register E	TGRE	16	16	4 to 7 PCLKA	2 to 4 ICLK	MTU3d
000C 1276h	MTU4	Timer General Register F	TGRF	16	16	4 to 7 PCLKA	2 to 4 ICLK	MTU3d
000C 1280h	MTU	Timer Start Register A	TSTRA	8	8, 16	4 to 7 PCLKA	2 to 4 ICLK	MTU3d
000C 1281h	MTU	Timer Synchronous Register A	TSYRA	8	8	4 to 7 PCLKA	2 to 4 ICLK	MTU3d
000C 1282h	MTU	Timer Counter Synchronous Start Register	TCSYSTR	8	8	4 to 7 PCLKA	2 to 4 ICLK	MTU3d
000C 1284h	MTU	Timer Read/Write Enable Register A	TRWERA	8	8	4 to 7 PCLKA	2 to 4 ICLK	MTU3d
000C 1290h	MTU0	Noise Filter Control Register 0	NFCR0	8	8	4 to 7 PCLKA	2 to 4 ICLK	MTU3d
000C 1291h	MTU1	Noise Filter Control Register 1	NFCR1	8	8	4 to 7 PCLKA	2 to 4 ICLK	MTU3d
000C 1292h	MTU2	Noise Filter Control Register 2	NFCR2	8	8	4 to 7 PCLKA	2 to 4 ICLK	MTU3d
000C 1293h	MTU3	Noise Filter Control Register 3	NFCR3	8	8	4 to 7 PCLKA	2 to 4 ICLK	MTU3d
000C 1294h	MTU4	Noise Filter Control Register 4	NFCR4	8	8	4 to 7 PCLKA	2 to 4 ICLK	MTU3d
000C 1296h	MTU9	Noise Filter Control Register 9	NFCR9	8	8	4 to 7 PCLKA	2 to 4 ICLK	MTU3d
000C 1299h	MTU0	Noise Filter Control Register C	NFCRC	8	8	4 to 7 PCLKA	2 to 4 ICLK	MTU3d
000C 1300h	MTU0	Timer Control Register	TCR	8	8, 16, 32	4 to 7 PCLKA	2 to 4 ICLK	MTU3d

**Table 4.1 List of I/O Registers (Address Order) (39 / 56)**

Address	Module Symbol	Register Name	Register Symbol	Number of Bits	Access Size	Number of Access Cycles		Related Function
						ICLK ≥ PCLK	ICLK < PCLK	
000C 1301h	MTU0	Timer Mode Register 1	TMDR1	8	8	4 to 7 PCLKA	2 to 4 ICLK	MTU3d
000C 1302h	MTU0	Timer I/O Control Register H	TIORH	8	8, 16	4 to 7 PCLKA	2 to 4 ICLK	MTU3d
000C 1303h	MTU0	Timer I/O Control Register L	TIORL	8	8	4 to 7 PCLKA	2 to 4 ICLK	MTU3d
000C 1304h	MTU0	Timer Interrupt Enable Register	TIER	8	8, 16, 32	4 to 7 PCLKA	2 to 4 ICLK	MTU3d
000C 1306h	MTU0	Timer Counter	TCNT	16	16	4 to 7 PCLKA	2 to 4 ICLK	MTU3d
000C 1308h	MTU0	Timer General Register A	TGRA	16	16, 32	4 to 7 PCLKA	2 to 4 ICLK	MTU3d
000C 130Ah	MTU0	Timer General Register B	TGRB	16	16	4 to 7 PCLKA	2 to 4 ICLK	MTU3d
000C 130Ch	MTU0	Timer General Register C	TGRC	16	16, 32	4 to 7 PCLKA	2 to 4 ICLK	MTU3d
000C 130Eh	MTU0	Timer General Register D	TGRD	16	16	4 to 7 PCLKA	2 to 4 ICLK	MTU3d
000C 1320h	MTU0	Timer General Register E	TGRE	16	16, 32	4 to 7 PCLKA	2 to 4 ICLK	MTU3d
000C 1322h	MTU0	Timer General Register F	TGRF	16	16	4 to 7 PCLKA	2 to 4 ICLK	MTU3d
000C 1324h	MTU0	Timer Interrupt Enable Register 2	TIER2	8	8, 16	4 to 7 PCLKA	2 to 4 ICLK	MTU3d
000C 1326h	MTU0	Timer Buffer Operation Transfer Mode Register	TBTM	8	8	4 to 7 PCLKA	2 to 4 ICLK	MTU3d
000C 1328h	MTU0	Timer Control Register 2	TCR2	8	8	4 to 7 PCLKA	2 to 4 ICLK	MTU3d
000C 1380h	MTU1	Timer Control Register	TCR	8	8, 16	4 to 7 PCLKA	2 to 4 ICLK	MTU3d
000C 1381h	MTU1	Timer Mode Register 1	TMDR1	8	8	4 to 7 PCLKA	2 to 4 ICLK	MTU3d
000C 1382h	MTU1	Timer I/O Control Register	TIOR	8	8	4 to 7 PCLKA	2 to 4 ICLK	MTU3d
000C 1384h	MTU1	Timer Interrupt Enable Register	TIER	8	8, 16, 32	4 to 7 PCLKA	2 to 4 ICLK	MTU3d
000C 1385h	MTU1	Timer Status Register	TSR	8	8	4 to 7 PCLKA	2 to 4 ICLK	MTU3d
000C 1386h	MTU1	Timer Counter	TCNT	16	16	4 to 7 PCLKA	2 to 4 ICLK	MTU3d
000C 1388h	MTU1	Timer General Register A	TGRA	16	16, 32	4 to 7 PCLKA	2 to 4 ICLK	MTU3d
000C 138Ah	MTU1	Timer General Register B	TGRB	16	16	4 to 7 PCLKA	2 to 4 ICLK	MTU3d
000C 1390h	MTU1	Timer Input Capture Control Register	TICCR	8	8	4 to 7 PCLKA	2 to 4 ICLK	MTU3d
000C 1391h	MTU1	Timer Mode Register 3	TMDR3	8	8	4 to 7 PCLKA	2 to 4 ICLK	MTU3d
000C 1394h	MTU1	Timer Control Register 2	TCR2	8	8	4 to 7 PCLKA	2 to 4 ICLK	MTU3d
000C 13A0h	MTU1	Timer Longword Counter	TCNTLW	32	32	4 to 7 PCLKA	2 to 4 ICLK	MTU3d
000C 13A4h	MTU1	Timer Longword General Register	TGRALW	32	32	4 to 7 PCLKA	2 to 4 ICLK	MTU3d
000C 13A8h	MTU1	Timer Longword General Register	TGRBLW	32	32	4 to 7 PCLKA	2 to 4 ICLK	MTU3d
000C 1400h	MTU2	Timer Control Register	TCR	8	8, 16	4 to 7 PCLKA	2 to 4 ICLK	MTU3d
000C 1401h	MTU2	Timer Mode Register 1	TMDR1	8	8	4 to 7 PCLKA	2 to 4 ICLK	MTU3d
000C 1402h	MTU2	Timer I/O Control Register	TIOR	8	8	4 to 7 PCLKA	2 to 4 ICLK	MTU3d
000C 1404h	MTU2	Timer Interrupt Enable Register	TIER	8	8, 16, 32	4 to 7 PCLKA	2 to 4 ICLK	MTU3d
000C 1405h	MTU2	Timer Status Register	TSR	8	8	4 to 7 PCLKA	2 to 4 ICLK	MTU3d
000C 1406h	MTU2	Timer Counter	TCNT	16	16	4 to 7 PCLKA	2 to 4 ICLK	MTU3d
000C 1408h	MTU2	Timer General Register A	TGRA	16	16, 32	4 to 7 PCLKA	2 to 4 ICLK	MTU3d
000C 140Ah	MTU2	Timer General Register B	TGRB	16	16	4 to 7 PCLKA	2 to 4 ICLK	MTU3d
000C 140Ch	MTU2	Timer Control Register 2	TCR2	8	8	4 to 7 PCLKA	2 to 4 ICLK	MTU3d
000C 1580h	MTU9	Timer Control Register	TCR	8	8, 16, 32	4 to 7 PCLKA	2 to 4 ICLK	MTU3d
000C 1581h	MTU9	Timer Mode Register 1	TMDR1	8	8	4 to 7 PCLKA	2 to 4 ICLK	MTU3d
000C 1582h	MTU9	Timer I/O Control Register H	TIORH	8	8, 16	4 to 7 PCLKA	2 to 4 ICLK	MTU3d
000C 1583h	MTU9	Timer I/O Control Register L	TIORL	8	8	4 to 7 PCLKA	2 to 4 ICLK	MTU3d
000C 1584h	MTU9	Timer Interrupt Enable Register	TIER	8	8, 16, 32	4 to 7 PCLKA	2 to 4 ICLK	MTU3d
000C 1586h	MTU9	Timer Counter	TCNT	16	16	4 to 7 PCLKA	2 to 4 ICLK	MTU3d
000C 1588h	MTU9	Timer General Register A	TGRA	16	16, 32	4 to 7 PCLKA	2 to 4 ICLK	MTU3d
000C 158Ah	MTU9	Timer General Register B	TGRB	16	16	4 to 7 PCLKA	2 to 4 ICLK	MTU3d
000C 158Ch	MTU9	Timer General Register C	TGRC	16	16, 32	4 to 7 PCLKA	2 to 4 ICLK	MTU3d
000C 158Eh	MTU9	Timer General Register D	TGRD	16	16	4 to 7 PCLKA	2 to 4 ICLK	MTU3d
000C 15A0h	MTU9	Timer General Register E	TGRE	16	16, 32	4 to 7 PCLKA	2 to 4 ICLK	MTU3d
000C 15A2h	MTU9	Timer General Register F	TGRF	16	16	4 to 7 PCLKA	2 to 4 ICLK	MTU3d
000C 15A4h	MTU9	Timer Interrupt Enable Register 2	TIER2	8	8, 16	4 to 7 PCLKA	2 to 4 ICLK	MTU3d

**Table 4.1 List of I/O Registers (Address Order) (40 / 56)**

Address	Module Symbol	Register Name	Register Symbol	Number of Bits	Access Size	Number of Access Cycles		Related Function
						ICLK ≥ PCLK	ICLK < PCLK	
000C 15A6h	MTU9	Timer Buffer Operation Transfer Mode Register	TBTM	8	8	4 to 7 PCLKA	2 to 4 ICLK	MTU3d
000C 15A8h	MTU9	Timer Control Register 2	TCR2	8	8	4 to 7 PCLKA	2 to 4 ICLK	MTU3d
000C 1A00h	MTU6	Timer Control Register	TCR	8	8, 16, 32	4 to 7 PCLKA	2 to 4 ICLK	MTU3d
000C 1A01h	MTU7	Timer Control Register	TCR	8	8	4 to 7 PCLKA	2 to 4 ICLK	MTU3d
000C 1A02h	MTU6	Timer Mode Register 1	TMDR1	8	8, 16	4 to 7 PCLKA	2 to 4 ICLK	MTU3d
000C 1A03h	MTU7	Timer Mode Register 1	TMDR1	8	8	4 to 7 PCLKA	2 to 4 ICLK	MTU3d
000C 1A04h	MTU6	Timer I/O Control Register H	TIORH	8	8, 16, 32	4 to 7 PCLKA	2 to 4 ICLK	MTU3d
000C 1A05h	MTU6	Timer I/O Control Register L	TIORL	8	8	4 to 7 PCLKA	2 to 4 ICLK	MTU3d
000C 1A06h	MTU7	Timer I/O Control Register H	TIORH	8	8, 16	4 to 7 PCLKA	2 to 4 ICLK	MTU3d
000C 1A07h	MTU7	Timer I/O Control Register L	TIORL	8	8	4 to 7 PCLKA	2 to 4 ICLK	MTU3d
000C 1A08h	MTU6	Timer Interrupt Enable Register	TIER	8	8, 16	4 to 7 PCLKA	2 to 4 ICLK	MTU3d
000C 1A09h	MTU7	Timer Interrupt Enable Register	TIER	8	8	4 to 7 PCLKA	2 to 4 ICLK	MTU3d
000C 1A0Ah	MTU	Timer Output Master Enable Register B	TOERB	8	8	4 to 7 PCLKA	2 to 4 ICLK	MTU3d
000C 1A0Dh	MTU	Timer Gate Control Register B	TGCRB	8	8	4 to 7 PCLKA	2 to 4 ICLK	MTU3d
000C 1A0Eh	MTU	Timer Output Control Register 1B	TOCR1B	8	8, 16	4 to 7 PCLKA	2 to 4 ICLK	MTU3d
000C 1A0Fh	MTU	Timer Output Control Register 2B	TOCR2B	8	8	4 to 7 PCLKA	2 to 4 ICLK	MTU3d
000C 1A10h	MTU6	Timer Counter	TCNT	16	16, 32	4 to 7 PCLKA	2 to 4 ICLK	MTU3d
000C 1A12h	MTU7	Timer Counter	TCNT	16	16	4 to 7 PCLKA	2 to 4 ICLK	MTU3d
000C 1A14h	MTU	Timer Cycle Data Register B	TCDRB	16	16, 32	4 to 7 PCLKA	2 to 4 ICLK	MTU3d
000C 1A16h	MTU	Timer Dead Time Data Register B	TDDRb	16	16	4 to 7 PCLKA	2 to 4 ICLK	MTU3d
000C 1A18h	MTU6	Timer General Register A	TGRA	16	16, 32	4 to 7 PCLKA	2 to 4 ICLK	MTU3d
000C 1A1Ah	MTU6	Timer General Register B	TGRB	16	16	4 to 7 PCLKA	2 to 4 ICLK	MTU3d
000C 1A1Ch	MTU7	Timer General Register A	TGRA	16	16, 32	4 to 7 PCLKA	2 to 4 ICLK	MTU3d
000C 1A1Eh	MTU7	Timer General Register B	TGRB	16	16	4 to 7 PCLKA	2 to 4 ICLK	MTU3d
000C 1A20h	MTU	Timer Subcounter B	TCNTSB	16	16, 32	4 to 7 PCLKA	2 to 4 ICLK	MTU3d
000C 1A22h	MTU	Timer Cycle Buffer Register B	TCBRB	16	16	4 to 7 PCLKA	2 to 4 ICLK	MTU3d
000C 1A24h	MTU6	Timer General Register C	TGRC	16	16, 32	4 to 7 PCLKA	2 to 4 ICLK	MTU3d
000C 1A26h	MTU6	Timer General Register D	TGRD	16	16	4 to 7 PCLKA	2 to 4 ICLK	MTU3d
000C 1A28h	MTU7	Timer General Register C	TGRC	16	16, 32	4 to 7 PCLKA	2 to 4 ICLK	MTU3d
000C 1A2Ah	MTU7	Timer General Register D	TGRD	16	16	4 to 7 PCLKA	2 to 4 ICLK	MTU3d
000C 1A2Ch	MTU6	Timer Status Register	TSR	8	8, 16	4 to 7 PCLKA	2 to 4 ICLK	MTU3d
000C 1A2Dh	MTU7	Timer Status Register	TSR	8	8	4 to 7 PCLKA	2 to 4 ICLK	MTU3d
000C 1A30h	MTU	Timer Interrupt Skipping Set Register 1B	TITCR1B	8	8, 16	4 to 7 PCLKA	2 to 4 ICLK	MTU3d
000C 1A31h	MTU	Timer Interrupt Skipping Counter 1B	TITCNT1B	8	8	4 to 7 PCLKA	2 to 4 ICLK	MTU3d
000C 1A32h	MTU	Timer Buffer Transfer Set Register B	TBTERB	8	8	4 to 7 PCLKA	2 to 4 ICLK	MTU3d
000C 1A34h	MTU	Timer Dead Time Enable Register B	TDERB	8	8	4 to 7 PCLKA	2 to 4 ICLK	MTU3d
000C 1A36h	MTU	Timer Output Level Buffer Register B	TOLBRB	8	8	4 to 7 PCLKA	2 to 4 ICLK	MTU3d
000C 1A38h	MTU6	Timer Buffer Operation Transfer Mode Register	TBTM	8	8, 16	4 to 7 PCLKA	2 to 4 ICLK	MTU3d
000C 1A39h	MTU7	Timer Buffer Operation Transfer Mode Register	TBTM	8	8	4 to 7 PCLKA	2 to 4 ICLK	MTU3d
000C 1A3Ah	MTU	Timer Interrupt Skipping Mode Register B	TITMRB	8	8	4 to 7 PCLKA	2 to 4 ICLK	MTU3d
000C 1A3Bh	MTU	Timer Interrupt Skipping Set Register 2B	TITCR2B	8	8	4 to 7 PCLKA	2 to 4 ICLK	MTU3d
000C 1A3Ch	MTU	Timer Interrupt Skipping Counter 2B	TITCNT2B	8	8	4 to 7 PCLKA	2 to 4 ICLK	MTU3d
000C 1A40h	MTU7	Timer A/D Converter Start Request Control Register	TADCR	16	16	4 to 7 PCLKA	2 to 4 ICLK	MTU3d
000C 1A44h	MTU7	Timer A/D Converter Start Request Cycle Set Register A	TADCORA	16	16, 32	4 to 7 PCLKA	2 to 4 ICLK	MTU3d
000C 1A46h	MTU7	Timer A/D Converter Start Request Cycle Set Register B	TADCORB	16	16	4 to 7 PCLKA	2 to 4 ICLK	MTU3d
000C 1A48h	MTU7	Timer A/D Converter Start Request Cycle Set Buffer Register A	TADCOBRA	16	16, 32	4 to 7 PCLKA	2 to 4 ICLK	MTU3d
000C 1A4Ah	MTU7	Timer A/D Converter Start Request Cycle Set Buffer Register B	TADCOBRB	16	16	4 to 7 PCLKA	2 to 4 ICLK	MTU3d
000C 1A4Ch	MTU6	Timer Control Register 2	TCR2	8	8	4 to 7 PCLKA	2 to 4 ICLK	MTU3d
000C 1A4Dh	MTU7	Timer Control Register 2	TCR2	8	8	4 to 7 PCLKA	2 to 4 ICLK	MTU3d

Table 4.1 List of I/O Registers (Address Order) (41 / 56)

Address	Module Symbol	Register Name	Register Symbol	Number of Bits	Access Size	Number of Access Cycles		Related Function
						ICLK ≥ PCLK	ICLK < PCLK	
000C 1A50h	MTU6	Timer Synchronous Clear Register	TSYCR	8	8	4 to 7 PCLKA	2 to 4 ICLK	MTU3d
000C 1A60h	MTU	Timer Waveform Control Register B	TWCRB	8	8	4 to 7 PCLKA	2 to 4 ICLK	MTU3d
000C 1A70h	MTU	Timer Mode Register 2B	TMDR2B	8	8	4 to 7 PCLKA	2 to 4 ICLK	MTU3d
000C 1A72h	MTU6	Timer General Register E	TGRE	16	16	4 to 7 PCLKA	2 to 4 ICLK	MTU3d
000C 1A74h	MTU7	Timer General Register E	TGRE	16	16	4 to 7 PCLKA	2 to 4 ICLK	MTU3d
000C 1A76h	MTU7	Timer General Register F	TGRF	16	16	4 to 7 PCLKA	2 to 4 ICLK	MTU3d
000C 1A80h	MTU	Timer Start Register B	TSTRB	8	8, 16	4 to 7 PCLKA	2 to 4 ICLK	MTU3d
000C 1A81h	MTU	Timer Synchronous Register B	TSYRB	8	8	4 to 7 PCLKA	2 to 4 ICLK	MTU3d
000C 1A84h	MTU	Timer Read/Write Enable Register B	TRWERB	8	8	4 to 7 PCLKA	2 to 4 ICLK	MTU3d
000C 1A93h	MTU6	Noise Filter Control Register 6	NFCR6	8	8	4 to 7 PCLKA	2 to 4 ICLK	MTU3d
000C 1A94h	MTU7	Noise Filter Control Register 7	NFCR7	8	8	4 to 7 PCLKA	2 to 4 ICLK	MTU3d
000C 1A95h	MTU5	Noise Filter Control Register 5	NFCR5	8	8	4 to 7 PCLKA	2 to 4 ICLK	MTU3d
000C 1C80h	MTU5	Timer Counter U	TCNTU	16	16, 32	4 to 7 PCLKA	2 to 4 ICLK	MTU3d
000C 1C82h	MTU5	Timer General Register U	TGRU	16	16	4 to 7 PCLKA	2 to 4 ICLK	MTU3d
000C 1C84h	MTU5	Timer Control Register U	TCRU	8	8	4 to 7 PCLKA	2 to 4 ICLK	MTU3d
000C 1C85h	MTU5	Timer Control Register 2U	TCR2U	8	8	4 to 7 PCLKA	2 to 4 ICLK	MTU3d
000C 1C86h	MTU5	Timer I/O Control Register U	TIORU	8	8	4 to 7 PCLKA	2 to 4 ICLK	MTU3d
000C 1C90h	MTU5	Timer Counter V	TCNTV	16	16, 32	4 to 7 PCLKA	2 to 4 ICLK	MTU3d
000C 1C92h	MTU5	Timer General Register V	TGRV	16	16	4 to 7 PCLKA	2 to 4 ICLK	MTU3d
000C 1C94h	MTU5	Timer Control Register V	TCRV	8	8	4 to 7 PCLKA	2 to 4 ICLK	MTU3d
000C 1C95h	MTU5	Timer Control Register 2V	TCR2V	8	8	4 to 7 PCLKA	2 to 4 ICLK	MTU3d
000C 1C96h	MTU5	Timer I/O Control Register V	TIORV	8	8	4 to 7 PCLKA	2 to 4 ICLK	MTU3d
000C 1CA0h	MTU5	Timer Counter W	TCNTW	16	16, 32	4 to 7 PCLKA	2 to 4 ICLK	MTU3d
000C 1CA2h	MTU5	Timer General Register W	TGRW	16	16	4 to 7 PCLKA	2 to 4 ICLK	MTU3d
000C 1CA4h	MTU5	Timer Control Register W	TCRW	8	8	4 to 7 PCLKA	2 to 4 ICLK	MTU3d
000C 1CA5h	MTU5	Timer Control Register 2W	TCR2W	8	8	4 to 7 PCLKA	2 to 4 ICLK	MTU3d
000C 1CA6h	MTU5	Timer I/O Control Register W	TIORW	8	8	4 to 7 PCLKA	2 to 4 ICLK	MTU3d
000C 1CB2h	MTU5	Timer Interrupt Enable Register	TIER	8	8	4 to 7 PCLKA	2 to 4 ICLK	MTU3d
000C 1CB4h	MTU5	Timer Start Register	TSTR	8	8	4 to 7 PCLKA	2 to 4 ICLK	MTU3d
000C 1CB6h	MTU5	Timer Compare Match Clear Register	TCNTCMPCLR	8	8	4 to 7 PCLKA	2 to 4 ICLK	MTU3d
000C 1D30h	MTU	A/D Conversion Start Request Select Register 0	TADSTRGR0	8	8	4 to 7 PCLKA	2 to 4 ICLK	MTU3d
000C 1D32h	MTU	A/D Conversion Start Request Select Register 1	TADSTRGR1	8	8	4 to 7 PCLKA	2 to 4 ICLK	MTU3d
000C 2000h	GPTW0	General PWM Timer Write-Protection Register	GTWP	32	32	4, 5 PCLKA	2, 3 ICLK	GPTW
000C 2004h	GPTW0	General PWM Timer Software Start Register	GTSTR	32	32	4, 5 PCLKA	2, 3 ICLK	GPTW
000C 2008h	GPTW0	General PWM Timer Software Stop Register	GTSTP	32	32	4, 5 PCLKA	2, 3 ICLK	GPTW
000C 200Ch	GPTW0	General PWM Timer Software Clear Register	GTCLR	32	32	4, 5 PCLKA	2, 3 ICLK	GPTW
000C 2010h	GPTW0	General PWM Timer Start Source Select Register	GTSSR	32	32	4, 5 PCLKA	2, 3 ICLK	GPTW
000C 2014h	GPTW0	General PWM Timer Stop Source Select Register	GTSPSR	32	32	4, 5 PCLKA	2, 3 ICLK	GPTW
000C 2018h	GPTW0	General PWM Timer Clear Source Select Register	GTCSR	32	32	4, 5 PCLKA	2, 3 ICLK	GPTW
000C 201Ch	GPTW0	General PWM Timer Count-Up Source Select Register	GTUPSR	32	32	4, 5 PCLKA	2, 3 ICLK	GPTW
000C 2020h	GPTW0	General PWM Timer Count-Down Source Select Register	GTDNSR	32	32	4, 5 PCLKA	2, 3 ICLK	GPTW
000C 2024h	GPTW0	General PWM Timer Input Capture Source Select Register A	GTICASR	32	32	4, 5 PCLKA	2, 3 ICLK	GPTW
000C 2028h	GPTW0	General PWM Timer Input Capture Source Select Register B	GTICBSR	32	32	4, 5 PCLKA	2, 3 ICLK	GPTW
000C 202Ch	GPTW0	General PWM Timer Control Register	GTCR	32	32	4, 5 PCLKA	2, 3 ICLK	GPTW
000C 2030h	GPTW0	General PWM Timer Count Direction and Duty Setting Register	GTUDDTYC	32	32	4, 5 PCLKA	2, 3 ICLK	GPTW
000C 2034h	GPTW0	General PWM Timer I/O Control Register	GTIOR	32	32	4, 5 PCLKA	2, 3 ICLK	GPTW
000C 2038h	GPTW0	General PWM Timer Interrupt Output Setting Register	GTINTAD	32	32	4, 5 PCLKA	2, 3 ICLK	GPTW



**Table 4.1 List of I/O Registers (Address Order) (42 / 56)**

Address	Module Symbol	Register Name	Register Symbol	Number of Bits	Access Size	Number of Access Cycles		Related Function
						ICLK ≥ PCLK	ICLK < PCLK	
000C 203Ch	GPTW0	General PWM Timer Status Register	GTST	32	32	4, 5 PCLKA	2, 3 ICLK	GPTW
000C 2040h	GPTW0	General PWM Timer Buffer Enable Register	GTBER	32	32	4, 5 PCLKA	2, 3 ICLK	GPTW
000C 2044h	GPTW0	General PWM Timer Interrupt and A/D Converter Start Request Skipping Setting Register	GTITC	32	32	4, 5 PCLKA	2, 3 ICLK	GPTW
000C 2048h	GPTW0	General PWM Timer Counter	GTCNT	32	32	4, 5 PCLKA	2, 3 ICLK	GPTW
000C 204Ch	GPTW0	General PWM Timer Compare Capture Register A	GTCCRA	32	32	4, 5 PCLKA	2, 3 ICLK	GPTW
000C 2050h	GPTW0	General PWM Timer Compare Capture Register B	GTCCRB	32	32	4, 5 PCLKA	2, 3 ICLK	GPTW
000C 2054h	GPTW0	General PWM Timer Compare Capture Register C	GTCCRC	32	32	4, 5 PCLKA	2, 3 ICLK	GPTW
000C 2058h	GPTW0	General PWM Timer Compare Capture Register E	GTCCRE	32	32	4, 5 PCLKA	2, 3 ICLK	GPTW
000C 205Ch	GPTW0	General PWM Timer Compare Capture Register D	GTCCRD	32	32	4, 5 PCLKA	2, 3 ICLK	GPTW
000C 2060h	GPTW0	General PWM Timer Compare Capture Register F	GTCCRF	32	32	4, 5 PCLKA	2, 3 ICLK	GPTW
000C 2064h	GPTW0	General PWM Timer Period Setting Register	GTPR	32	32	4, 5 PCLKA	2, 3 ICLK	GPTW
000C 2068h	GPTW0	General PWM Timer Period Setting Buffer Register	GTPBR	32	32	4, 5 PCLKA	2, 3 ICLK	GPTW
000C 206Ch	GPTW0	General PWM Timer Period Setting Double-Buffer Register	GTPDBR	32	32	4, 5 PCLKA	2, 3 ICLK	GPTW
000C 2070h	GPTW0	A/D Converter Start Request Timing Register A	GTADTRA	32	32	4, 5 PCLKA	2, 3 ICLK	GPTW
000C 2074h	GPTW0	A/D Converter Start Request Timing Buffer Register A	GTADTBRA	32	32	4, 5 PCLKA	2, 3 ICLK	GPTW
000C 2078h	GPTW0	A/D Converter Start Request Timing Double-Buffer Register A	GTADTDBRA	32	32	4, 5 PCLKA	2, 3 ICLK	GPTW
000C 207Ch	GPTW0	A/D Converter Start Request Timing Register B	GTADTRB	32	32	4, 5 PCLKA	2, 3 ICLK	GPTW
000C 2080h	GPTW0	A/D Converter Start Request Timing Buffer Register B	GTADTBRB	32	32	4, 5 PCLKA	2, 3 ICLK	GPTW
000C 2084h	GPTW0	A/D Converter Start Request Timing Double-Buffer Register B	GTADTDBRB	32	32	4, 5 PCLKA	2, 3 ICLK	GPTW
000C 2088h	GPTW0	General PWM Timer Dead Time Control Register	GTDTCR	32	32	4, 5 PCLKA	2, 3 ICLK	GPTW
000C 208Ch	GPTW0	General PWM Timer Dead Time Value Register U	GTDVU	32	32	4, 5 PCLKA	2, 3 ICLK	GPTW
000C 2090h	GPTW0	General PWM Timer Dead Time Value Register D	GTDVD	32	32	4, 5 PCLKA	2, 3 ICLK	GPTW
000C 2094h	GPTW0	General PWM Timer Dead Time Buffer Register U	GTDBU	32	32	4, 5 PCLKA	2, 3 ICLK	GPTW
000C 2098h	GPTW0	General PWM Timer Dead Time Buffer Register D	GTDBD	32	32	4, 5 PCLKA	2, 3 ICLK	GPTW
000C 209Ch	GPTW0	General PWM Timer Output Protection Function Status Register	GTSOS	32	32	4, 5 PCLKA	2, 3 ICLK	GPTW
000C 20A0h	GPTW0	General PWM Timer Output Protection Function Temporary Release Register	GTSOTR	32	32	4, 5 PCLKA	2, 3 ICLK	GPTW
000C 20A4h	GPTW0	General PWM Timer A/D Converter Start Request Signal Monitoring Register	GTADSMR	32	32	4, 5 PCLKA	2, 3 ICLK	GPTW
000C 20A8h	GPTW0	General PWM Timer Extended Interrupt Skipping Counter Control Register	GTEITC	32	32	4, 5 PCLKA	2, 3 ICLK	GPTW
000C 20ACh	GPTW0	General PWM Timer Extended Interrupt Skipping Setting Register 1	GTEITL1	32	32	4, 5 PCLKA	2, 3 ICLK	GPTW
000C 20B0h	GPTW0	General PWM Timer Extended Interrupt Skipping Setting Register 2	GTEITL2	32	32	4, 5 PCLKA	2, 3 ICLK	GPTW
000C 20B4h	GPTW0	General PWM Timer Extended Buffer Transfer Skipping Setting Register	GTEITLB	32	32	4, 5 PCLKA	2, 3 ICLK	GPTW
000C 20D0h	GPTW0	General PWM Timer Operation Enable Bit Simultaneous Control Channel Select Register	GTSECSR	32	32	4, 5 PCLKA	2, 3 ICLK	GPTW
000C 20D4h	GPTW0	General PWM Timer Operation Enable Bit Simultaneous Control Register	GTSECR	32	32	4, 5 PCLKA	2, 3 ICLK	GPTW
000C 2100h	GPTW1	General PWM Timer Write-Protection Register	GTWP	32	32	4, 5 PCLKA	2, 3 ICLK	GPTW
000C 2104h	GPTW1	General PWM Timer Software Start Register	GTSTR	32	32	4, 5 PCLKA	2, 3 ICLK	GPTW
000C 2108h	GPTW1	General PWM Timer Software Stop Register	GTSTP	32	32	4, 5 PCLKA	2, 3 ICLK	GPTW
000C 210Ch	GPTW1	General PWM Timer Software Clear Register	GTCLR	32	32	4, 5 PCLKA	2, 3 ICLK	GPTW
000C 2110h	GPTW1	General PWM Timer Start Source Select Register	GTSSR	32	32	4, 5 PCLKA	2, 3 ICLK	GPTW
000C 2114h	GPTW1	General PWM Timer Stop Source Select Register	GTPSR	32	32	4, 5 PCLKA	2, 3 ICLK	GPTW
000C 2118h	GPTW1	General PWM Timer Clear Source Select Register	GTCSR	32	32	4, 5 PCLKA	2, 3 ICLK	GPTW
000C 211Ch	GPTW1	General PWM Timer Count-Up Source Select Register	GTUPSR	32	32	4, 5 PCLKA	2, 3 ICLK	GPTW
000C 2120h	GPTW1	General PWM Timer Count-Down Source Select Register	GTNSR	32	32	4, 5 PCLKA	2, 3 ICLK	GPTW

**Table 4.1 List of I/O Registers (Address Order) (43 / 56)**

Address	Module Symbol	Register Name	Register Symbol	Number of Bits	Access Size	Number of Access Cycles		Related Function
						ICLK ≥ PCLK	ICLK < PCLK	
000C 2124h	GPTW1	General PWM Timer Input Capture Source Select Register A	GTICASR	32	32	4, 5 PCLKA	2, 3 ICLK	GPTW
000C 2128h	GPTW1	General PWM Timer Input Capture Source Select Register B	GTICBSR	32	32	4, 5 PCLKA	2, 3 ICLK	GPTW
000C 212Ch	GPTW1	General PWM Timer Control Register	GTCR	32	32	4, 5 PCLKA	2, 3 ICLK	GPTW
000C 2130h	GPTW1	General PWM Timer Count Direction and Duty Setting Register	GTUDDTYC	32	32	4, 5 PCLKA	2, 3 ICLK	GPTW
000C 2134h	GPTW1	General PWM Timer I/O Control Register	GTIOR	32	32	4, 5 PCLKA	2, 3 ICLK	GPTW
000C 2138h	GPTW1	General PWM Timer Interrupt Output Setting Register	GTINTAD	32	32	4, 5 PCLKA	2, 3 ICLK	GPTW
000C 213Ch	GPTW1	General PWM Timer Status Register	GTST	32	32	4, 5 PCLKA	2, 3 ICLK	GPTW
000C 2140h	GPTW1	General PWM Timer Buffer Enable Register	GTBER	32	32	4, 5 PCLKA	2, 3 ICLK	GPTW
000C 2144h	GPTW1	General PWM Timer Interrupt and A/D Converter Start Request Skipping Setting Register	GTITC	32	32	4, 5 PCLKA	2, 3 ICLK	GPTW
000C 2148h	GPTW1	General PWM Timer Counter	GTCNT	32	32	4, 5 PCLKA	2, 3 ICLK	GPTW
000C 214Ch	GPTW1	General PWM Timer Compare Capture Register A	GTCCRA	32	32	4, 5 PCLKA	2, 3 ICLK	GPTW
000C 2150h	GPTW1	General PWM Timer Compare Capture Register B	GTCCRB	32	32	4, 5 PCLKA	2, 3 ICLK	GPTW
000C 2154h	GPTW1	General PWM Timer Compare Capture Register C	GTCCRC	32	32	4, 5 PCLKA	2, 3 ICLK	GPTW
000C 2158h	GPTW1	General PWM Timer Compare Capture Register E	GTCCRE	32	32	4, 5 PCLKA	2, 3 ICLK	GPTW
000C 215Ch	GPTW1	General PWM Timer Compare Capture Register D	GTCCRD	32	32	4, 5 PCLKA	2, 3 ICLK	GPTW
000C 2160h	GPTW1	General PWM Timer Compare Capture Register F	GTCCRF	32	32	4, 5 PCLKA	2, 3 ICLK	GPTW
000C 2164h	GPTW1	General PWM Timer Period Setting Register	GTPR	32	32	4, 5 PCLKA	2, 3 ICLK	GPTW
000C 2168h	GPTW1	General PWM Timer Period Setting Buffer Register	GTPBR	32	32	4, 5 PCLKA	2, 3 ICLK	GPTW
000C 216Ch	GPTW1	General PWM Timer Period Setting Double-Buffer Register	GTPDBR	32	32	4, 5 PCLKA	2, 3 ICLK	GPTW
000C 2170h	GPTW1	A/D Converter Start Request Timing Register A	GTADTRA	32	32	4, 5 PCLKA	2, 3 ICLK	GPTW
000C 2174h	GPTW1	A/D Converter Start Request Timing Buffer Register A	GTADTBRA	32	32	4, 5 PCLKA	2, 3 ICLK	GPTW
000C 2178h	GPTW1	A/D Converter Start Request Timing Double-Buffer Register A	GTADTBRA	32	32	4, 5 PCLKA	2, 3 ICLK	GPTW
000C 217Ch	GPTW1	A/D Converter Start Request Timing Register B	GTADTRB	32	32	4, 5 PCLKA	2, 3 ICLK	GPTW
000C 2180h	GPTW1	A/D Converter Start Request Timing Buffer Register B	GTADTB RB	32	32	4, 5 PCLKA	2, 3 ICLK	GPTW
000C 2184h	GPTW1	A/D Converter Start Request Timing Double-Buffer Register B	GTADTB RB	32	32	4, 5 PCLKA	2, 3 ICLK	GPTW
000C 2188h	GPTW1	General PWM Timer Dead Time Control Register	GTDTCR	32	32	4, 5 PCLKA	2, 3 ICLK	GPTW
000C 218Ch	GPTW1	General PWM Timer Dead Time Value Register U	GTDVU	32	32	4, 5 PCLKA	2, 3 ICLK	GPTW
000C 2190h	GPTW1	General PWM Timer Dead Time Value Register D	GTDVD	32	32	4, 5 PCLKA	2, 3 ICLK	GPTW
000C 2194h	GPTW1	General PWM Timer Dead Time Buffer Register U	GTDBU	32	32	4, 5 PCLKA	2, 3 ICLK	GPTW
000C 2198h	GPTW1	General PWM Timer Dead Time Buffer Register D	GTDBD	32	32	4, 5 PCLKA	2, 3 ICLK	GPTW
000C 219Ch	GPTW1	General PWM Timer Output Protection Function Status Register	GTSOS	32	32	4, 5 PCLKA	2, 3 ICLK	GPTW
000C 21A0h	GPTW1	General PWM Timer Output Protection Function Temporary Release Register	GTSOTR	32	32	4, 5 PCLKA	2, 3 ICLK	GPTW
000C 21A4h	GPTW1	General PWM Timer A/D Converter Start Request Signal Monitoring Register	GTADSMR	32	32	4, 5 PCLKA	2, 3 ICLK	GPTW
000C 21A8h	GPTW1	General PWM Timer Extended Interrupt Skipping Counter Control Register	GTEITC	32	32	4, 5 PCLKA	2, 3 ICLK	GPTW
000C 21ACh	GPTW1	General PWM Timer Extended Interrupt Skipping Setting Register 1	GTEITL1	32	32	4, 5 PCLKA	2, 3 ICLK	GPTW
000C 21B0h	GPTW1	General PWM Timer Extended Interrupt Skipping Setting Register 2	GTEITL2	32	32	4, 5 PCLKA	2, 3 ICLK	GPTW
000C 21B4h	GPTW1	General PWM Timer Extended Buffer Transfer Skipping Setting Register	GTEITLB	32	32	4, 5 PCLKA	2, 3 ICLK	GPTW
000C 21D0h	GPTW1	General PWM Timer Operation Enable Bit Simultaneous Control Channel Select Register	GTSECSR	32	32	4, 5 PCLKA	2, 3 ICLK	GPTW
000C 21D4h	GPTW1	General PWM Timer Operation Enable Bit Simultaneous Control Register	GTSECR	32	32	4, 5 PCLKA	2, 3 ICLK	GPTW
000C 2200h	GPTW2	General PWM Timer Write-Protection Register	GTWP	32	32	4, 5 PCLKA	2, 3 ICLK	GPTW
000C 2204h	GPTW2	General PWM Timer Software Start Register	GTSTR	32	32	4, 5 PCLKA	2, 3 ICLK	GPTW



**Table 4.1 List of I/O Registers (Address Order) (44 / 56)**

Address	Module Symbol	Register Name	Register Symbol	Number of Bits	Access Size	Number of Access Cycles		Related Function
						ICLK ≥ PCLK	ICLK < PCLK	
000C 2208h	GPTW2	General PWM Timer Software Stop Register	GTSTP	32	32	4, 5 PCLKA	2, 3 ICLK	GPTW
000C 220Ch	GPTW2	General PWM Timer Software Clear Register	GTCLR	32	32	4, 5 PCLKA	2, 3 ICLK	GPTW
000C 2210h	GPTW2	General PWM Timer Start Source Select Register	GTSSR	32	32	4, 5 PCLKA	2, 3 ICLK	GPTW
000C 2214h	GPTW2	General PWM Timer Stop Source Select Register	GTPSR	32	32	4, 5 PCLKA	2, 3 ICLK	GPTW
000C 2218h	GPTW2	General PWM Timer Clear Source Select Register	GTCSR	32	32	4, 5 PCLKA	2, 3 ICLK	GPTW
000C 221Ch	GPTW2	General PWM Timer Count-Up Source Select Register	GTUPSR	32	32	4, 5 PCLKA	2, 3 ICLK	GPTW
000C 2220h	GPTW2	General PWM Timer Count-Down Source Select Register	GTDNSR	32	32	4, 5 PCLKA	2, 3 ICLK	GPTW
000C 2224h	GPTW2	General PWM Timer Input Capture Source Select Register A	GTICASR	32	32	4, 5 PCLKA	2, 3 ICLK	GPTW
000C 2228h	GPTW2	General PWM Timer Input Capture Source Select Register B	GTICBSR	32	32	4, 5 PCLKA	2, 3 ICLK	GPTW
000C 222Ch	GPTW2	General PWM Timer Control Register	GTCCR	32	32	4, 5 PCLKA	2, 3 ICLK	GPTW
000C 2230h	GPTW2	General PWM Timer Count Direction and Duty Setting Register	GTUDDTYC	32	32	4, 5 PCLKA	2, 3 ICLK	GPTW
000C 2234h	GPTW2	General PWM Timer I/O Control Register	GTIOR	32	32	4, 5 PCLKA	2, 3 ICLK	GPTW
000C 2238h	GPTW2	General PWM Timer Interrupt Output Setting Register	GTINTAD	32	32	4, 5 PCLKA	2, 3 ICLK	GPTW
000C 223Ch	GPTW2	General PWM Timer Status Register	GTST	32	32	4, 5 PCLKA	2, 3 ICLK	GPTW
000C 2240h	GPTW2	General PWM Timer Buffer Enable Register	GTBER	32	32	4, 5 PCLKA	2, 3 ICLK	GPTW
000C 2244h	GPTW2	General PWM Timer Interrupt and A/D Converter Start Request Skipping Setting Register	GTITC	32	32	4, 5 PCLKA	2, 3 ICLK	GPTW
000C 2248h	GPTW2	General PWM Timer Counter	GT CNT	32	32	4, 5 PCLKA	2, 3 ICLK	GPTW
000C 224Ch	GPTW2	General PWM Timer Compare Capture Register A	GTCCRA	32	32	4, 5 PCLKA	2, 3 ICLK	GPTW
000C 2250h	GPTW2	General PWM Timer Compare Capture Register B	GTCCRB	32	32	4, 5 PCLKA	2, 3 ICLK	GPTW
000C 2254h	GPTW2	General PWM Timer Compare Capture Register C	GTCCRC	32	32	4, 5 PCLKA	2, 3 ICLK	GPTW
000C 2258h	GPTW2	General PWM Timer Compare Capture Register E	GTCCRE	32	32	4, 5 PCLKA	2, 3 ICLK	GPTW
000C 225Ch	GPTW2	General PWM Timer Compare Capture Register D	GTCCRD	32	32	4, 5 PCLKA	2, 3 ICLK	GPTW
000C 2260h	GPTW2	General PWM Timer Compare Capture Register F	GTCCRF	32	32	4, 5 PCLKA	2, 3 ICLK	GPTW
000C 2264h	GPTW2	General PWM Timer Period Setting Register	GTPR	32	32	4, 5 PCLKA	2, 3 ICLK	GPTW
000C 2268h	GPTW2	General PWM Timer Period Setting Buffer Register	GTPBR	32	32	4, 5 PCLKA	2, 3 ICLK	GPTW
000C 226Ch	GPTW2	General PWM Timer Period Setting Double-Buffer Register	GTPDBR	32	32	4, 5 PCLKA	2, 3 ICLK	GPTW
000C 2270h	GPTW2	A/D Converter Start Request Timing Register A	GTADTRA	32	32	4, 5 PCLKA	2, 3 ICLK	GPTW
000C 2274h	GPTW2	A/D Converter Start Request Timing Buffer Register A	GTADTBRA	32	32	4, 5 PCLKA	2, 3 ICLK	GPTW
000C 2278h	GPTW2	A/D Converter Start Request Timing Double-Buffer Register A	GTADTBRA	32	32	4, 5 PCLKA	2, 3 ICLK	GPTW
000C 227Ch	GPTW2	A/D Converter Start Request Timing Register B	GTADTRB	32	32	4, 5 PCLKA	2, 3 ICLK	GPTW
000C 2280h	GPTW2	A/D Converter Start Request Timing Buffer Register B	GTADTRB	32	32	4, 5 PCLKA	2, 3 ICLK	GPTW
000C 2284h	GPTW2	A/D Converter Start Request Timing Double-Buffer Register B	GTADTRB	32	32	4, 5 PCLKA	2, 3 ICLK	GPTW
000C 2288h	GPTW2	General PWM Timer Dead Time Control Register	GTDTCR	32	32	4, 5 PCLKA	2, 3 ICLK	GPTW
000C 228Ch	GPTW2	General PWM Timer Dead Time Value Register U	GTDVU	32	32	4, 5 PCLKA	2, 3 ICLK	GPTW
000C 2290h	GPTW2	General PWM Timer Dead Time Value Register D	GTDVD	32	32	4, 5 PCLKA	2, 3 ICLK	GPTW
000C 2294h	GPTW2	General PWM Timer Dead Time Buffer Register U	GTDBU	32	32	4, 5 PCLKA	2, 3 ICLK	GPTW
000C 2298h	GPTW2	General PWM Timer Dead Time Buffer Register D	GTDBD	32	32	4, 5 PCLKA	2, 3 ICLK	GPTW
000C 229Ch	GPTW2	General PWM Timer Output Protection Function Status Register	GTSOS	32	32	4, 5 PCLKA	2, 3 ICLK	GPTW
000C 22A0h	GPTW2	General PWM Timer Output Protection Function Temporary Release Register	GTSOTR	32	32	4, 5 PCLKA	2, 3 ICLK	GPTW
000C 22A4h	GPTW2	General PWM Timer A/D Converter Start Request Signal Monitoring Register	GTADSMR	32	32	4, 5 PCLKA	2, 3 ICLK	GPTW
000C 22A8h	GPTW2	General PWM Timer Extended Interrupt Skipping Counter Control Register	GTEITC	32	32	4, 5 PCLKA	2, 3 ICLK	GPTW
000C 22ACh	GPTW2	General PWM Timer Extended Interrupt Skipping Setting Register 1	GTEITL1	32	32	4, 5 PCLKA	2, 3 ICLK	GPTW

**Table 4.1 List of I/O Registers (Address Order) (45 / 56)**

Address	Module Symbol	Register Name	Register Symbol	Number of Bits	Access Size	Number of Access Cycles		Related Function
						ICLK ≥ PCLK	ICLK < PCLK	
000C 22B0h	GPTW2	General PWM Timer Extended Interrupt Skipping Setting Register 2	GTEITLI2	32	32	4, 5 PCLKA	2, 3 ICLK	GPTW
000C 22B4h	GPTW2	General PWM Timer Extended Buffer Transfer Skipping Setting Register	GTEITLB	32	32	4, 5 PCLKA	2, 3 ICLK	GPTW
000C 22D0h	GPTW2	General PWM Timer Operation Enable Bit Simultaneous Control Channel Select Register	GTSECSR	32	32	4, 5 PCLKA	2, 3 ICLK	GPTW
000C 22D4h	GPTW2	General PWM Timer Operation Enable Bit Simultaneous Control Register	GTSECR	32	32	4, 5 PCLKA	2, 3 ICLK	GPTW
000C 2300h	GPTW3	General PWM Timer Write-Protection Register	GTWP	32	32	4, 5 PCLKA	2, 3 ICLK	GPTW
000C 2304h	GPTW3	General PWM Timer Software Start Register	GTSTR	32	32	4, 5 PCLKA	2, 3 ICLK	GPTW
000C 2308h	GPTW3	General PWM Timer Software Stop Register	GTSTP	32	32	4, 5 PCLKA	2, 3 ICLK	GPTW
000C 230Ch	GPTW3	General PWM Timer Software Clear Register	GTCLR	32	32	4, 5 PCLKA	2, 3 ICLK	GPTW
000C 2310h	GPTW3	General PWM Timer Start Source Select Register	GTSSR	32	32	4, 5 PCLKA	2, 3 ICLK	GPTW
000C 2314h	GPTW3	General PWM Timer Stop Source Select Register	GTSPSR	32	32	4, 5 PCLKA	2, 3 ICLK	GPTW
000C 2318h	GPTW3	General PWM Timer Clear Source Select Register	GTCSR	32	32	4, 5 PCLKA	2, 3 ICLK	GPTW
000C 231Ch	GPTW3	General PWM Timer Count-Up Source Select Register	GTUPSR	32	32	4, 5 PCLKA	2, 3 ICLK	GPTW
000C 2320h	GPTW3	General PWM Timer Count-Down Source Select Register	GTDNSR	32	32	4, 5 PCLKA	2, 3 ICLK	GPTW
000C 2324h	GPTW3	General PWM Timer Input Capture Source Select Register A	GTICASR	32	32	4, 5 PCLKA	2, 3 ICLK	GPTW
000C 2328h	GPTW3	General PWM Timer Input Capture Source Select Register B	GTICBSR	32	32	4, 5 PCLKA	2, 3 ICLK	GPTW
000C 232Ch	GPTW3	General PWM Timer Control Register	GTCCR	32	32	4, 5 PCLKA	2, 3 ICLK	GPTW
000C 2330h	GPTW3	General PWM Timer Count Direction and Duty Setting Register	GTUDDTYC	32	32	4, 5 PCLKA	2, 3 ICLK	GPTW
000C 2334h	GPTW3	General PWM Timer I/O Control Register	GTIOR	32	32	4, 5 PCLKA	2, 3 ICLK	GPTW
000C 2338h	GPTW3	General PWM Timer Interrupt Output Setting Register	GTINTAD	32	32	4, 5 PCLKA	2, 3 ICLK	GPTW
000C 233Ch	GPTW3	General PWM Timer Status Register	GTST	32	32	4, 5 PCLKA	2, 3 ICLK	GPTW
000C 2340h	GPTW3	General PWM Timer Buffer Enable Register	GTBER	32	32	4, 5 PCLKA	2, 3 ICLK	GPTW
000C 2344h	GPTW3	General PWM Timer Interrupt and A/D Converter Start Request Skipping Setting Register	GTITC	32	32	4, 5 PCLKA	2, 3 ICLK	GPTW
000C 2348h	GPTW3	General PWM Timer Counter	GT CNT	32	32	4, 5 PCLKA	2, 3 ICLK	GPTW
000C 234Ch	GPTW3	General PWM Timer Compare Capture Register A	GTCCRA	32	32	4, 5 PCLKA	2, 3 ICLK	GPTW
000C 2350h	GPTW3	General PWM Timer Compare Capture Register B	GTCCRB	32	32	4, 5 PCLKA	2, 3 ICLK	GPTW
000C 2354h	GPTW3	General PWM Timer Compare Capture Register C	GTCCRC	32	32	4, 5 PCLKA	2, 3 ICLK	GPTW
000C 2358h	GPTW3	General PWM Timer Compare Capture Register E	GTCCRE	32	32	4, 5 PCLKA	2, 3 ICLK	GPTW
000C 235Ch	GPTW3	General PWM Timer Compare Capture Register D	GTCCRD	32	32	4, 5 PCLKA	2, 3 ICLK	GPTW
000C 2360h	GPTW3	General PWM Timer Compare Capture Register F	GTCCRF	32	32	4, 5 PCLKA	2, 3 ICLK	GPTW
000C 2364h	GPTW3	General PWM Timer Period Setting Register	GT PR	32	32	4, 5 PCLKA	2, 3 ICLK	GPTW
000C 2368h	GPTW3	General PWM Timer Period Setting Buffer Register	GT PBR	32	32	4, 5 PCLKA	2, 3 ICLK	GPTW
000C 236Ch	GPTW3	General PWM Timer Period Setting Double-Buffer Register	GT PDBR	32	32	4, 5 PCLKA	2, 3 ICLK	GPTW
000C 2370h	GPTW3	A/D Converter Start Request Timing Register A	GTADTRA	32	32	4, 5 PCLKA	2, 3 ICLK	GPTW
000C 2374h	GPTW3	A/D Converter Start Request Timing Buffer Register A	GTADTBRA	32	32	4, 5 PCLKA	2, 3 ICLK	GPTW
000C 2378h	GPTW3	A/D Converter Start Request Timing Double-Buffer Register A	GTADTDBRA	32	32	4, 5 PCLKA	2, 3 ICLK	GPTW
000C 237Ch	GPTW3	A/D Converter Start Request Timing Register B	GTADTRB	32	32	4, 5 PCLKA	2, 3 ICLK	GPTW
000C 2380h	GPTW3	A/D Converter Start Request Timing Buffer Register B	GTADTBRB	32	32	4, 5 PCLKA	2, 3 ICLK	GPTW
000C 2384h	GPTW3	A/D Converter Start Request Timing Double-Buffer Register B	GTADTDBRB	32	32	4, 5 PCLKA	2, 3 ICLK	GPTW
000C 2388h	GPTW3	General PWM Timer Dead Time Control Register	GTDTCR	32	32	4, 5 PCLKA	2, 3 ICLK	GPTW
000C 238Ch	GPTW3	General PWM Timer Dead Time Value Register U	GT DVU	32	32	4, 5 PCLKA	2, 3 ICLK	GPTW
000C 2390h	GPTW3	General PWM Timer Dead Time Value Register D	GT DVD	32	32	4, 5 PCLKA	2, 3 ICLK	GPTW
000C 2394h	GPTW3	General PWM Timer Dead Time Buffer Register U	GT DBU	32	32	4, 5 PCLKA	2, 3 ICLK	GPTW
000C 2398h	GPTW3	General PWM Timer Dead Time Buffer Register D	GT DBD	32	32	4, 5 PCLKA	2, 3 ICLK	GPTW

**Table 4.1 List of I/O Registers (Address Order) (46 / 56)**

Address	Module Symbol	Register Name	Register Symbol	Number of Bits	Access Size	Number of Access Cycles		Related Function
						ICLK ≥ PCLK	ICLK < PCLK	
000C 239Ch	GPTW3	General PWM Timer Output Protection Function Status Register	GTSOS	32	32	4, 5 PCLKA	2, 3 ICLK	GPTW
000C 23A0h	GPTW3	General PWM Timer Output Protection Function Temporary Release Register	GTSOTR	32	32	4, 5 PCLKA	2, 3 ICLK	GPTW
000C 23A4h	GPTW3	General PWM Timer A/D Converter Start Request Signal Monitoring Register	GTADSMR	32	32	4, 5 PCLKA	2, 3 ICLK	GPTW
000C 23A8h	GPTW3	General PWM Timer Extended Interrupt Skipping Counter Control Register	GTEITC	32	32	4, 5 PCLKA	2, 3 ICLK	GPTW
000C 23ACh	GPTW3	General PWM Timer Extended Interrupt Skipping Setting Register 1	GTEITL1	32	32	4, 5 PCLKA	2, 3 ICLK	GPTW
000C 23B0h	GPTW3	General PWM Timer Extended Interrupt Skipping Setting Register 2	GTEITL2	32	32	4, 5 PCLKA	2, 3 ICLK	GPTW
000C 23B4h	GPTW3	General PWM Timer Extended Buffer Transfer Skipping Setting Register	GTEITLB	32	32	4, 5 PCLKA	2, 3 ICLK	GPTW
000C 23D0h	GPTW3	General PWM Timer Operation Enable Bit Simultaneous Control Channel Select Register	GTSECSR	32	32	4, 5 PCLKA	2, 3 ICLK	GPTW
000C 23D4h	GPTW3	General PWM Timer Operation Enable Bit Simultaneous Control Register	GTSECR	32	32	4, 5 PCLKA	2, 3 ICLK	GPTW
000C 2400h	GPTW4	General PWM Timer Write-Protection Register	GTWP	32	32	4, 5 PCLKA	2, 3 ICLK	GPTW
000C 2404h	GPTW4	General PWM Timer Software Start Register	GTSTR	32	32	4, 5 PCLKA	2, 3 ICLK	GPTW
000C 2408h	GPTW4	General PWM Timer Software Stop Register	GTSTP	32	32	4, 5 PCLKA	2, 3 ICLK	GPTW
000C 240Ch	GPTW4	General PWM Timer Software Clear Register	GTCLR	32	32	4, 5 PCLKA	2, 3 ICLK	GPTW
000C 2410h	GPTW4	General PWM Timer Start Source Select Register	GTSSR	32	32	4, 5 PCLKA	2, 3 ICLK	GPTW
000C 2414h	GPTW4	General PWM Timer Stop Source Select Register	GTPSR	32	32	4, 5 PCLKA	2, 3 ICLK	GPTW
000C 2418h	GPTW4	General PWM Timer Clear Source Select Register	GTCSR	32	32	4, 5 PCLKA	2, 3 ICLK	GPTW
000C 241Ch	GPTW4	General PWM Timer Count-Up Source Select Register	GTUPSR	32	32	4, 5 PCLKA	2, 3 ICLK	GPTW
000C 2420h	GPTW4	General PWM Timer Count-Down Source Select Register	GTDNSR	32	32	4, 5 PCLKA	2, 3 ICLK	GPTW
000C 2424h	GPTW4	General PWM Timer Input Capture Source Select Register A	GTICASR	32	32	4, 5 PCLKA	2, 3 ICLK	GPTW
000C 2428h	GPTW4	General PWM Timer Input Capture Source Select Register B	GTICBSR	32	32	4, 5 PCLKA	2, 3 ICLK	GPTW
000C 242Ch	GPTW4	General PWM Timer Control Register	GTCR	32	32	4, 5 PCLKA	2, 3 ICLK	GPTW
000C 2430h	GPTW4	General PWM Timer Count Direction and Duty Setting Register	GTUDDTYC	32	32	4, 5 PCLKA	2, 3 ICLK	GPTW
000C 2434h	GPTW4	General PWM Timer I/O Control Register	GTIOR	32	32	4, 5 PCLKA	2, 3 ICLK	GPTW
000C 2438h	GPTW4	General PWM Timer Interrupt Output Setting Register	GTINTAD	32	32	4, 5 PCLKA	2, 3 ICLK	GPTW
000C 243Ch	GPTW4	General PWM Timer Status Register	GTST	32	32	4, 5 PCLKA	2, 3 ICLK	GPTW
000C 2440h	GPTW4	General PWM Timer Buffer Enable Register	GTBER	32	32	4, 5 PCLKA	2, 3 ICLK	GPTW
000C 2444h	GPTW4	General PWM Timer Interrupt and A/D Converter Start Request Skipping Setting Register	GTITC	32	32	4, 5 PCLKA	2, 3 ICLK	GPTW
000C 2448h	GPTW4	General PWM Timer Counter	GTCNT	32	32	4, 5 PCLKA	2, 3 ICLK	GPTW
000C 244Ch	GPTW4	General PWM Timer Compare Capture Register A	GTCCRA	32	32	4, 5 PCLKA	2, 3 ICLK	GPTW
000C 2450h	GPTW4	General PWM Timer Compare Capture Register B	GTCCRB	32	32	4, 5 PCLKA	2, 3 ICLK	GPTW
000C 2454h	GPTW4	General PWM Timer Compare Capture Register C	GTCCRC	32	32	4, 5 PCLKA	2, 3 ICLK	GPTW
000C 2458h	GPTW4	General PWM Timer Compare Capture Register E	GTCCRE	32	32	4, 5 PCLKA	2, 3 ICLK	GPTW
000C 245Ch	GPTW4	General PWM Timer Compare Capture Register D	GTCCRD	32	32	4, 5 PCLKA	2, 3 ICLK	GPTW
000C 2460h	GPTW4	General PWM Timer Compare Capture Register F	GTCCRF	32	32	4, 5 PCLKA	2, 3 ICLK	GPTW
000C 2464h	GPTW4	General PWM Timer Period Setting Register	GTPR	32	32	4, 5 PCLKA	2, 3 ICLK	GPTW
000C 2468h	GPTW4	General PWM Timer Period Setting Buffer Register	GTPBR	32	32	4, 5 PCLKA	2, 3 ICLK	GPTW
000C 246Ch	GPTW4	General PWM Timer Period Setting Double-Buffer Register	GTPDBR	32	32	4, 5 PCLKA	2, 3 ICLK	GPTW
000C 2470h	GPTW4	A/D Converter Start Request Timing Register A	GTADTRA	32	32	4, 5 PCLKA	2, 3 ICLK	GPTW
000C 2474h	GPTW4	A/D Converter Start Request Timing Buffer Register A	GTADTBRA	32	32	4, 5 PCLKA	2, 3 ICLK	GPTW
000C 2478h	GPTW4	A/D Converter Start Request Timing Double-Buffer Register A	GTADTDBRA	32	32	4, 5 PCLKA	2, 3 ICLK	GPTW
000C 247Ch	GPTW4	A/D Converter Start Request Timing Register B	GTADTRB	32	32	4, 5 PCLKA	2, 3 ICLK	GPTW

**Table 4.1 List of I/O Registers (Address Order) (47 / 56)**

Address	Module Symbol	Register Name	Register Symbol	Number of Bits	Access Size	Number of Access Cycles		Related Function
						ICLK ≥ PCLK	ICLK < PCLK	
000C 2480h	GPTW4	A/D Converter Start Request Timing Buffer Register B	GTADTBRB	32	32	4, 5 PCLKA	2, 3 ICLK	GPTW
000C 2484h	GPTW4	A/D Converter Start Request Timing Double-Buffer Register B	GTADTDBRB	32	32	4, 5 PCLKA	2, 3 ICLK	GPTW
000C 2488h	GPTW4	General PWM Timer Dead Time Control Register	GTDTCR	32	32	4, 5 PCLKA	2, 3 ICLK	GPTW
000C 248Ch	GPTW4	General PWM Timer Dead Time Value Register U	GTDTVU	32	32	4, 5 PCLKA	2, 3 ICLK	GPTW
000C 2490h	GPTW4	General PWM Timer Dead Time Value Register D	GTDVD	32	32	4, 5 PCLKA	2, 3 ICLK	GPTW
000C 2494h	GPTW4	General PWM Timer Dead Time Buffer Register U	GTDBU	32	32	4, 5 PCLKA	2, 3 ICLK	GPTW
000C 2498h	GPTW4	General PWM Timer Dead Time Buffer Register D	GTDBD	32	32	4, 5 PCLKA	2, 3 ICLK	GPTW
000C 249Ch	GPTW4	General PWM Timer Output Protection Function Status Register	GTSOS	32	32	4, 5 PCLKA	2, 3 ICLK	GPTW
000C 24A0h	GPTW4	General PWM Timer Output Protection Function Temporary Release Register	GTSOTR	32	32	4, 5 PCLKA	2, 3 ICLK	GPTW
000C 24A4h	GPTW4	General PWM Timer A/D Converter Start Request Signal Monitoring Register	GTADSMR	32	32	4, 5 PCLKA	2, 3 ICLK	GPTW
000C 24A8h	GPTW4	General PWM Timer Extended Interrupt Skipping Counter Control Register	GTEITC	32	32	4, 5 PCLKA	2, 3 ICLK	GPTW
000C 24ACh	GPTW4	General PWM Timer Extended Interrupt Skipping Setting Register 1	GTEITL1	32	32	4, 5 PCLKA	2, 3 ICLK	GPTW
000C 24B0h	GPTW4	General PWM Timer Extended Interrupt Skipping Setting Register 2	GTEITL2	32	32	4, 5 PCLKA	2, 3 ICLK	GPTW
000C 24B4h	GPTW4	General PWM Timer Extended Buffer Transfer Skipping Setting Register	GTEITLB	32	32	4, 5 PCLKA	2, 3 ICLK	GPTW
000C 24D0h	GPTW4	General PWM Timer Operation Enable Bit Simultaneous Control Channel Select Register	GTSECSR	32	32	4, 5 PCLKA	2, 3 ICLK	GPTW
000C 24D4h	GPTW4	General PWM Timer Operation Enable Bit Simultaneous Control Register	GTSECR	32	32	4, 5 PCLKA	2, 3 ICLK	GPTW
000C 2500h	GPTW5	General PWM Timer Write-Protection Register	GTWP	32	32	4, 5 PCLKA	2, 3 ICLK	GPTW
000C 2504h	GPTW5	General PWM Timer Software Start Register	GTSTR	32	32	4, 5 PCLKA	2, 3 ICLK	GPTW
000C 2508h	GPTW5	General PWM Timer Software Stop Register	GTSTP	32	32	4, 5 PCLKA	2, 3 ICLK	GPTW
000C 250Ch	GPTW5	General PWM Timer Software Clear Register	GTCLR	32	32	4, 5 PCLKA	2, 3 ICLK	GPTW
000C 2510h	GPTW5	General PWM Timer Start Source Select Register	GTSSR	32	32	4, 5 PCLKA	2, 3 ICLK	GPTW
000C 2514h	GPTW5	General PWM Timer Stop Source Select Register	GTPSR	32	32	4, 5 PCLKA	2, 3 ICLK	GPTW
000C 2518h	GPTW5	General PWM Timer Clear Source Select Register	GTCSR	32	32	4, 5 PCLKA	2, 3 ICLK	GPTW
000C 251Ch	GPTW5	General PWM Timer Count-Up Source Select Register	GTUPSR	32	32	4, 5 PCLKA	2, 3 ICLK	GPTW
000C 2520h	GPTW5	General PWM Timer Count-Down Source Select Register	GTDNSR	32	32	4, 5 PCLKA	2, 3 ICLK	GPTW
000C 2524h	GPTW5	General PWM Timer Input Capture Source Select Register A	GTICASR	32	32	4, 5 PCLKA	2, 3 ICLK	GPTW
000C 2528h	GPTW5	General PWM Timer Input Capture Source Select Register B	GTICBSR	32	32	4, 5 PCLKA	2, 3 ICLK	GPTW
000C 252Ch	GPTW5	General PWM Timer Control Register	GTCR	32	32	4, 5 PCLKA	2, 3 ICLK	GPTW
000C 2530h	GPTW5	General PWM Timer Count Direction and Duty Setting Register	GTUDDTYC	32	32	4, 5 PCLKA	2, 3 ICLK	GPTW
000C 2534h	GPTW5	General PWM Timer I/O Control Register	GTIOR	32	32	4, 5 PCLKA	2, 3 ICLK	GPTW
000C 2538h	GPTW5	General PWM Timer Interrupt Output Setting Register	GTINTAD	32	32	4, 5 PCLKA	2, 3 ICLK	GPTW
000C 253Ch	GPTW5	General PWM Timer Status Register	GTST	32	32	4, 5 PCLKA	2, 3 ICLK	GPTW
000C 2540h	GPTW5	General PWM Timer Buffer Enable Register	GTBER	32	32	4, 5 PCLKA	2, 3 ICLK	GPTW
000C 2544h	GPTW5	General PWM Timer Interrupt and A/D Converter Start Request Skipping Setting Register	GTITC	32	32	4, 5 PCLKA	2, 3 ICLK	GPTW
000C 2548h	GPTW5	General PWM Timer Counter	GTCNT	32	32	4, 5 PCLKA	2, 3 ICLK	GPTW
000C 254Ch	GPTW5	General PWM Timer Compare Capture Register A	GTCCRA	32	32	4, 5 PCLKA	2, 3 ICLK	GPTW
000C 2550h	GPTW5	General PWM Timer Compare Capture Register B	GTCCRB	32	32	4, 5 PCLKA	2, 3 ICLK	GPTW
000C 2554h	GPTW5	General PWM Timer Compare Capture Register C	GTCCRC	32	32	4, 5 PCLKA	2, 3 ICLK	GPTW
000C 2558h	GPTW5	General PWM Timer Compare Capture Register E	GTCCRE	32	32	4, 5 PCLKA	2, 3 ICLK	GPTW
000C 255Ch	GPTW5	General PWM Timer Compare Capture Register D	GTCCRD	32	32	4, 5 PCLKA	2, 3 ICLK	GPTW
000C 2560h	GPTW5	General PWM Timer Compare Capture Register F	GTCCRF	32	32	4, 5 PCLKA	2, 3 ICLK	GPTW
000C 2564h	GPTW5	General PWM Timer Period Setting Register	GTPR	32	32	4, 5 PCLKA	2, 3 ICLK	GPTW

**Table 4.1 List of I/O Registers (Address Order) (48 / 56)**

Address	Module Symbol	Register Name	Register Symbol	Number of Bits	Access Size	Number of Access Cycles		Related Function
						ICLK ≥ PCLK	ICLK < PCLK	
000C 2568h	GPTW5	General PWM Timer Period Setting Buffer Register	GTPBR	32	32	4, 5 PCLKA	2, 3 ICLK	GPTW
000C 256Ch	GPTW5	General PWM Timer Period Setting Double-Buffer Register	GTPDBR	32	32	4, 5 PCLKA	2, 3 ICLK	GPTW
000C 2570h	GPTW5	A/D Converter Start Request Timing Register A	GTADTRA	32	32	4, 5 PCLKA	2, 3 ICLK	GPTW
000C 2574h	GPTW5	A/D Converter Start Request Timing Buffer Register A	GTADTBRA	32	32	4, 5 PCLKA	2, 3 ICLK	GPTW
000C 2578h	GPTW5	A/D Converter Start Request Timing Double-Buffer Register A	GTADTDBRA	32	32	4, 5 PCLKA	2, 3 ICLK	GPTW
000C 257Ch	GPTW5	A/D Converter Start Request Timing Register B	GTADTRB	32	32	4, 5 PCLKA	2, 3 ICLK	GPTW
000C 2580h	GPTW5	A/D Converter Start Request Timing Buffer Register B	GTADTBRB	32	32	4, 5 PCLKA	2, 3 ICLK	GPTW
000C 2584h	GPTW5	A/D Converter Start Request Timing Double-Buffer Register B	GTADTDBRB	32	32	4, 5 PCLKA	2, 3 ICLK	GPTW
000C 2588h	GPTW5	General PWM Timer Dead Time Control Register	GTDTCR	32	32	4, 5 PCLKA	2, 3 ICLK	GPTW
000C 258Ch	GPTW5	General PWM Timer Dead Time Value Register U	GTDVU	32	32	4, 5 PCLKA	2, 3 ICLK	GPTW
000C 2590h	GPTW5	General PWM Timer Dead Time Value Register D	GTDVD	32	32	4, 5 PCLKA	2, 3 ICLK	GPTW
000C 2594h	GPTW5	General PWM Timer Dead Time Buffer Register U	GTDBU	32	32	4, 5 PCLKA	2, 3 ICLK	GPTW
000C 2598h	GPTW5	General PWM Timer Dead Time Buffer Register D	GTDBD	32	32	4, 5 PCLKA	2, 3 ICLK	GPTW
000C 259Ch	GPTW5	General PWM Timer Output Protection Function Status Register	GTSOS	32	32	4, 5 PCLKA	2, 3 ICLK	GPTW
000C 25A0h	GPTW5	General PWM Timer Output Protection Function Temporary Release Register	GTSOTR	32	32	4, 5 PCLKA	2, 3 ICLK	GPTW
000C 25A4h	GPTW5	General PWM Timer A/D Converter Start Request Signal Monitoring Register	GTADSMR	32	32	4, 5 PCLKA	2, 3 ICLK	GPTW
000C 25A8h	GPTW5	General PWM Timer Extended Interrupt Skipping Counter Control Register	GTEITC	32	32	4, 5 PCLKA	2, 3 ICLK	GPTW
000C 25ACh	GPTW5	General PWM Timer Extended Interrupt Skipping Setting Register 1	GTEITL1	32	32	4, 5 PCLKA	2, 3 ICLK	GPTW
000C 25B0h	GPTW5	General PWM Timer Extended Interrupt Skipping Setting Register 2	GTEITL2	32	32	4, 5 PCLKA	2, 3 ICLK	GPTW
000C 25B4h	GPTW5	General PWM Timer Extended Buffer Transfer Skipping Setting Register	GTEITLB	32	32	4, 5 PCLKA	2, 3 ICLK	GPTW
000C 25D0h	GPTW5	General PWM Timer Operation Enable Bit Simultaneous Control Channel Select Register	GTSECSR	32	32	4, 5 PCLKA	2, 3 ICLK	GPTW
000C 25D4h	GPTW5	General PWM Timer Operation Enable Bit Simultaneous Control Register	GTSECR	32	32	4, 5 PCLKA	2, 3 ICLK	GPTW
000C 2600h	GPTW6	General PWM Timer Write-Protection Register	GTWP	32	32	4, 5 PCLKA	2, 3 ICLK	GPTW
000C 2604h	GPTW6	General PWM Timer Software Start Register	GTSTR	32	32	4, 5 PCLKA	2, 3 ICLK	GPTW
000C 2608h	GPTW6	General PWM Timer Software Stop Register	GTSTP	32	32	4, 5 PCLKA	2, 3 ICLK	GPTW
000C 260Ch	GPTW6	General PWM Timer Software Clear Register	GTCLR	32	32	4, 5 PCLKA	2, 3 ICLK	GPTW
000C 2610h	GPTW6	General PWM Timer Start Source Select Register	GTSSR	32	32	4, 5 PCLKA	2, 3 ICLK	GPTW
000C 2614h	GPTW6	General PWM Timer Stop Source Select Register	GTPSR	32	32	4, 5 PCLKA	2, 3 ICLK	GPTW
000C 2618h	GPTW6	General PWM Timer Clear Source Select Register	GTCSR	32	32	4, 5 PCLKA	2, 3 ICLK	GPTW
000C 261Ch	GPTW6	General PWM Timer Count-Up Source Select Register	GTUPSR	32	32	4, 5 PCLKA	2, 3 ICLK	GPTW
000C 2620h	GPTW6	General PWM Timer Count-Down Source Select Register	GTDNSR	32	32	4, 5 PCLKA	2, 3 ICLK	GPTW
000C 2624h	GPTW6	General PWM Timer Input Capture Source Select Register A	GTICASR	32	32	4, 5 PCLKA	2, 3 ICLK	GPTW
000C 2628h	GPTW6	General PWM Timer Input Capture Source Select Register B	GTICBSR	32	32	4, 5 PCLKA	2, 3 ICLK	GPTW
000C 262Ch	GPTW6	General PWM Timer Control Register	GTCR	32	32	4, 5 PCLKA	2, 3 ICLK	GPTW
000C 2630h	GPTW6	General PWM Timer Count Direction and Duty Setting Register	GTUDDTYC	32	32	4, 5 PCLKA	2, 3 ICLK	GPTW
000C 2634h	GPTW6	General PWM Timer I/O Control Register	GTIOR	32	32	4, 5 PCLKA	2, 3 ICLK	GPTW
000C 2638h	GPTW6	General PWM Timer Interrupt Output Setting Register	GTINTAD	32	32	4, 5 PCLKA	2, 3 ICLK	GPTW
000C 263Ch	GPTW6	General PWM Timer Status Register	GTST	32	32	4, 5 PCLKA	2, 3 ICLK	GPTW
000C 2640h	GPTW6	General PWM Timer Buffer Enable Register	GTBER	32	32	4, 5 PCLKA	2, 3 ICLK	GPTW
000C 2644h	GPTW6	General PWM Timer Interrupt and A/D Converter Start Request Skipping Setting Register	GTITC	32	32	4, 5 PCLKA	2, 3 ICLK	GPTW
000C 2648h	GPTW6	General PWM Timer Counter	GTCNT	32	32	4, 5 PCLKA	2, 3 ICLK	GPTW



**Table 4.1 List of I/O Registers (Address Order) (49 / 56)**

Address	Module Symbol	Register Name	Register Symbol	Number of Bits	Access Size	Number of Access Cycles		Related Function
						ICLK ≥ PCLK	ICLK < PCLK	
000C 264Ch	GPTW6	General PWM Timer Compare Capture Register A	GTCCRA	32	32	4, 5 PCLKA	2, 3 ICLK	GPTW
000C 2650h	GPTW6	General PWM Timer Compare Capture Register B	GTCCRB	32	32	4, 5 PCLKA	2, 3 ICLK	GPTW
000C 2654h	GPTW6	General PWM Timer Compare Capture Register C	GTCCRC	32	32	4, 5 PCLKA	2, 3 ICLK	GPTW
000C 2658h	GPTW6	General PWM Timer Compare Capture Register E	GTCCRE	32	32	4, 5 PCLKA	2, 3 ICLK	GPTW
000C 265Ch	GPTW6	General PWM Timer Compare Capture Register D	GTCCRD	32	32	4, 5 PCLKA	2, 3 ICLK	GPTW
000C 2660h	GPTW6	General PWM Timer Compare Capture Register F	GTCCRF	32	32	4, 5 PCLKA	2, 3 ICLK	GPTW
000C 2664h	GPTW6	General PWM Timer Period Setting Register	GTCCR	32	32	4, 5 PCLKA	2, 3 ICLK	GPTW
000C 2668h	GPTW6	General PWM Timer Period Setting Buffer Register	GTCCRB	32	32	4, 5 PCLKA	2, 3 ICLK	GPTW
000C 266Ch	GPTW6	General PWM Timer Period Setting Double-Buffer Register	GTCCDBR	32	32	4, 5 PCLKA	2, 3 ICLK	GPTW
000C 2670h	GPTW6	A/D Converter Start Request Timing Register A	GTADTRA	32	32	4, 5 PCLKA	2, 3 ICLK	GPTW
000C 2674h	GPTW6	A/D Converter Start Request Timing Buffer Register A	GTADTBRA	32	32	4, 5 PCLKA	2, 3 ICLK	GPTW
000C 2678h	GPTW6	A/D Converter Start Request Timing Double-Buffer Register A	GTADTDBRA	32	32	4, 5 PCLKA	2, 3 ICLK	GPTW
000C 267Ch	GPTW6	A/D Converter Start Request Timing Register B	GTADTRB	32	32	4, 5 PCLKA	2, 3 ICLK	GPTW
000C 2680h	GPTW6	A/D Converter Start Request Timing Buffer Register B	GTADTBRB	32	32	4, 5 PCLKA	2, 3 ICLK	GPTW
000C 2684h	GPTW6	A/D Converter Start Request Timing Double-Buffer Register B	GTADTDBRB	32	32	4, 5 PCLKA	2, 3 ICLK	GPTW
000C 2688h	GPTW6	General PWM Timer Dead Time Control Register	GTDTCR	32	32	4, 5 PCLKA	2, 3 ICLK	GPTW
000C 268Ch	GPTW6	General PWM Timer Dead Time Value Register U	GTDTVU	32	32	4, 5 PCLKA	2, 3 ICLK	GPTW
000C 2690h	GPTW6	General PWM Timer Dead Time Value Register D	GTDVD	32	32	4, 5 PCLKA	2, 3 ICLK	GPTW
000C 2694h	GPTW6	General PWM Timer Dead Time Buffer Register U	GTDBU	32	32	4, 5 PCLKA	2, 3 ICLK	GPTW
000C 2698h	GPTW6	General PWM Timer Dead Time Buffer Register D	GTDBD	32	32	4, 5 PCLKA	2, 3 ICLK	GPTW
000C 269Ch	GPTW6	General PWM Timer Output Protection Function Status Register	GTSOS	32	32	4, 5 PCLKA	2, 3 ICLK	GPTW
000C 26A0h	GPTW6	General PWM Timer Output Protection Function Temporary Release Register	GTSOTR	32	32	4, 5 PCLKA	2, 3 ICLK	GPTW
000C 26A4h	GPTW6	General PWM Timer A/D Converter Start Request Signal Monitoring Register	GTADSMR	32	32	4, 5 PCLKA	2, 3 ICLK	GPTW
000C 26A8h	GPTW6	General PWM Timer Extended Interrupt Skipping Counter Control Register	GTEITC	32	32	4, 5 PCLKA	2, 3 ICLK	GPTW
000C 26ACh	GPTW6	General PWM Timer Extended Interrupt Skipping Setting Register 1	GTEITL1	32	32	4, 5 PCLKA	2, 3 ICLK	GPTW
000C 26B0h	GPTW6	General PWM Timer Extended Interrupt Skipping Setting Register 2	GTEITL2	32	32	4, 5 PCLKA	2, 3 ICLK	GPTW
000C 26B4h	GPTW6	General PWM Timer Extended Buffer Transfer Skipping Setting Register	GTEITLB	32	32	4, 5 PCLKA	2, 3 ICLK	GPTW
000C 26D0h	GPTW6	General PWM Timer Operation Enable Bit Simultaneous Control Channel Select Register	GTSECSR	32	32	4, 5 PCLKA	2, 3 ICLK	GPTW
000C 26D4h	GPTW6	General PWM Timer Operation Enable Bit Simultaneous Control Register	GTSECR	32	32	4, 5 PCLKA	2, 3 ICLK	GPTW
000C 2700h	GPTW7	General PWM Timer Write-Protection Register	GTWP	32	32	4, 5 PCLKA	2, 3 ICLK	GPTW
000C 2704h	GPTW7	General PWM Timer Software Start Register	GTSTR	32	32	4, 5 PCLKA	2, 3 ICLK	GPTW
000C 2708h	GPTW7	General PWM Timer Software Stop Register	GTSTP	32	32	4, 5 PCLKA	2, 3 ICLK	GPTW
000C 270Ch	GPTW7	General PWM Timer Software Clear Register	GTCLR	32	32	4, 5 PCLKA	2, 3 ICLK	GPTW
000C 2710h	GPTW7	General PWM Timer Start Source Select Register	GTSSR	32	32	4, 5 PCLKA	2, 3 ICLK	GPTW
000C 2714h	GPTW7	General PWM Timer Stop Source Select Register	GTSPSR	32	32	4, 5 PCLKA	2, 3 ICLK	GPTW
000C 2718h	GPTW7	General PWM Timer Clear Source Select Register	GTCSR	32	32	4, 5 PCLKA	2, 3 ICLK	GPTW
000C 271Ch	GPTW7	General PWM Timer Count-Up Source Select Register	GTUPSR	32	32	4, 5 PCLKA	2, 3 ICLK	GPTW
000C 2720h	GPTW7	General PWM Timer Count-Down Source Select Register	GTDNSR	32	32	4, 5 PCLKA	2, 3 ICLK	GPTW
000C 2724h	GPTW7	General PWM Timer Input Capture Source Select Register A	GTICASR	32	32	4, 5 PCLKA	2, 3 ICLK	GPTW
000C 2728h	GPTW7	General PWM Timer Input Capture Source Select Register B	GTICBSR	32	32	4, 5 PCLKA	2, 3 ICLK	GPTW
000C 272Ch	GPTW7	General PWM Timer Control Register	GTCR	32	32	4, 5 PCLKA	2, 3 ICLK	GPTW

**Table 4.1 List of I/O Registers (Address Order) (50 / 56)**

Address	Module Symbol	Register Name	Register Symbol	Number of Bits	Access Size	Number of Access Cycles		Related Function
						ICLK ≥ PCLK	ICLK < PCLK	
000C 2730h	GPTW7	General PWM Timer Count Direction and Duty Setting Register	GTUDDTYC	32	32	4, 5 PCLKA	2, 3 ICLK	GPTW
000C 2734h	GPTW7	General PWM Timer I/O Control Register	GTIOR	32	32	4, 5 PCLKA	2, 3 ICLK	GPTW
000C 2738h	GPTW7	General PWM Timer Interrupt Output Setting Register	GTINTAD	32	32	4, 5 PCLKA	2, 3 ICLK	GPTW
000C 273Ch	GPTW7	General PWM Timer Status Register	GTST	32	32	4, 5 PCLKA	2, 3 ICLK	GPTW
000C 2740h	GPTW7	General PWM Timer Buffer Enable Register	GTBER	32	32	4, 5 PCLKA	2, 3 ICLK	GPTW
000C 2744h	GPTW7	General PWM Timer Interrupt and A/D Converter Start Request Skipping Setting Register	GTITC	32	32	4, 5 PCLKA	2, 3 ICLK	GPTW
000C 2748h	GPTW7	General PWM Timer Counter	GT CNT	32	32	4, 5 PCLKA	2, 3 ICLK	GPTW
000C 274Ch	GPTW7	General PWM Timer Compare Capture Register A	GTCCRA	32	32	4, 5 PCLKA	2, 3 ICLK	GPTW
000C 2750h	GPTW7	General PWM Timer Compare Capture Register B	GTCCRB	32	32	4, 5 PCLKA	2, 3 ICLK	GPTW
000C 2754h	GPTW7	General PWM Timer Compare Capture Register C	GTCCRC	32	32	4, 5 PCLKA	2, 3 ICLK	GPTW
000C 2758h	GPTW7	General PWM Timer Compare Capture Register E	GTCCRE	32	32	4, 5 PCLKA	2, 3 ICLK	GPTW
000C 275Ch	GPTW7	General PWM Timer Compare Capture Register D	GTCCRD	32	32	4, 5 PCLKA	2, 3 ICLK	GPTW
000C 2760h	GPTW7	General PWM Timer Compare Capture Register F	GTCCRF	32	32	4, 5 PCLKA	2, 3 ICLK	GPTW
000C 2764h	GPTW7	General PWM Timer Period Setting Register	GT PR	32	32	4, 5 PCLKA	2, 3 ICLK	GPTW
000C 2768h	GPTW7	General PWM Timer Period Setting Buffer Register	GT PBR	32	32	4, 5 PCLKA	2, 3 ICLK	GPTW
000C 276Ch	GPTW7	General PWM Timer Period Setting Double-Buffer Register	GT PDBR	32	32	4, 5 PCLKA	2, 3 ICLK	GPTW
000C 2770h	GPTW7	A/D Converter Start Request Timing Register A	GTADTRA	32	32	4, 5 PCLKA	2, 3 ICLK	GPTW
000C 2774h	GPTW7	A/D Converter Start Request Timing Buffer Register A	GTADTBRA	32	32	4, 5 PCLKA	2, 3 ICLK	GPTW
000C 2778h	GPTW7	A/D Converter Start Request Timing Double-Buffer Register A	GTADTDBRA	32	32	4, 5 PCLKA	2, 3 ICLK	GPTW
000C 277Ch	GPTW7	A/D Converter Start Request Timing Register B	GTADTRB	32	32	4, 5 PCLKA	2, 3 ICLK	GPTW
000C 2780h	GPTW7	A/D Converter Start Request Timing Buffer Register B	GTADTBRB	32	32	4, 5 PCLKA	2, 3 ICLK	GPTW
000C 2784h	GPTW7	A/D Converter Start Request Timing Double-Buffer Register B	GTADTDBRB	32	32	4, 5 PCLKA	2, 3 ICLK	GPTW
000C 2788h	GPTW7	General PWM Timer Dead Time Control Register	GT DTCR	32	32	4, 5 PCLKA	2, 3 ICLK	GPTW
000C 278Ch	GPTW7	General PWM Timer Dead Time Value Register U	GT DVU	32	32	4, 5 PCLKA	2, 3 ICLK	GPTW
000C 2790h	GPTW7	General PWM Timer Dead Time Value Register D	GT DVD	32	32	4, 5 PCLKA	2, 3 ICLK	GPTW
000C 2794h	GPTW7	General PWM Timer Dead Time Buffer Register U	GT DBU	32	32	4, 5 PCLKA	2, 3 ICLK	GPTW
000C 2798h	GPTW7	General PWM Timer Dead Time Buffer Register D	GT DBD	32	32	4, 5 PCLKA	2, 3 ICLK	GPTW
000C 279Ch	GPTW7	General PWM Timer Output Protection Function Status Register	GT SOS	32	32	4, 5 PCLKA	2, 3 ICLK	GPTW
000C 27A0h	GPTW7	General PWM Timer Output Protection Function Temporary Release Register	GT SOTR	32	32	4, 5 PCLKA	2, 3 ICLK	GPTW
000C 27A4h	GPTW7	General PWM Timer A/D Converter Start Request Signal Monitoring Register	GT AD SMR	32	32	4, 5 PCLKA	2, 3 ICLK	GPTW
000C 27A8h	GPTW7	General PWM Timer Extended Interrupt Skipping Counter Control Register	GT EITC	32	32	4, 5 PCLKA	2, 3 ICLK	GPTW
000C 27ACh	GPTW7	General PWM Timer Extended Interrupt Skipping Setting Register 1	GT EITL1	32	32	4, 5 PCLKA	2, 3 ICLK	GPTW
000C 27B0h	GPTW7	General PWM Timer Extended Interrupt Skipping Setting Register 2	GT EITL2	32	32	4, 5 PCLKA	2, 3 ICLK	GPTW
000C 27B4h	GPTW7	General PWM Timer Extended Buffer Transfer Skipping Setting Register	GT EITLB	32	32	4, 5 PCLKA	2, 3 ICLK	GPTW
000C 27D0h	GPTW7	General PWM Timer Operation Enable Bit Simultaneous Control Channel Select Register	GT SECSR	32	32	4, 5 PCLKA	2, 3 ICLK	GPTW
000C 27D4h	GPTW7	General PWM Timer Operation Enable Bit Simultaneous Control Register	GT SECR	32	32	4, 5 PCLKA	2, 3 ICLK	GPTW
000C 2800h	GPTW8	General PWM Timer Write-Protection Register	GT WP	32	32	4, 5 PCLKA	2, 3 ICLK	GPTW
000C 2804h	GPTW8	General PWM Timer Software Start Register	GT STR	32	32	4, 5 PCLKA	2, 3 ICLK	GPTW
000C 2808h	GPTW8	General PWM Timer Software Stop Register	GT STP	32	32	4, 5 PCLKA	2, 3 ICLK	GPTW
000C 280Ch	GPTW8	General PWM Timer Software Clear Register	GT CLR	32	32	4, 5 PCLKA	2, 3 ICLK	GPTW
000C 2810h	GPTW8	General PWM Timer Start Source Select Register	GT SSR	32	32	4, 5 PCLKA	2, 3 ICLK	GPTW
000C 2814h	GPTW8	General PWM Timer Stop Source Select Register	GT PSR	32	32	4, 5 PCLKA	2, 3 ICLK	GPTW

**Table 4.1 List of I/O Registers (Address Order) (51 / 56)**

Address	Module Symbol	Register Name	Register Symbol	Number of Bits	Access Size	Number of Access Cycles		Related Function
						ICLK ≥ PCLK	ICLK < PCLK	
000C 2818h	GPTW8	General PWM Timer Clear Source Select Register	GTCSR	32	32	4, 5 PCLKA	2, 3 ICLK	GPTW
000C 281Ch	GPTW8	General PWM Timer Count-Up Source Select Register	GTUPSR	32	32	4, 5 PCLKA	2, 3 ICLK	GPTW
000C 2820h	GPTW8	General PWM Timer Count-Down Source Select Register	GTDNSR	32	32	4, 5 PCLKA	2, 3 ICLK	GPTW
000C 2824h	GPTW8	General PWM Timer Input Capture Source Select Register A	GTICASR	32	32	4, 5 PCLKA	2, 3 ICLK	GPTW
000C 2828h	GPTW8	General PWM Timer Input Capture Source Select Register B	GTICBSR	32	32	4, 5 PCLKA	2, 3 ICLK	GPTW
000C 282Ch	GPTW8	General PWM Timer Control Register	GTCR	32	32	4, 5 PCLKA	2, 3 ICLK	GPTW
000C 2830h	GPTW8	General PWM Timer Count Direction and Duty Setting Register	GTUDDTYC	32	32	4, 5 PCLKA	2, 3 ICLK	GPTW
000C 2834h	GPTW8	General PWM Timer I/O Control Register	GTIOR	32	32	4, 5 PCLKA	2, 3 ICLK	GPTW
000C 2838h	GPTW8	General PWM Timer Interrupt Output Setting Register	GTINTAD	32	32	4, 5 PCLKA	2, 3 ICLK	GPTW
000C 283Ch	GPTW8	General PWM Timer Status Register	GTST	32	32	4, 5 PCLKA	2, 3 ICLK	GPTW
000C 2840h	GPTW8	General PWM Timer Buffer Enable Register	GTBER	32	32	4, 5 PCLKA	2, 3 ICLK	GPTW
000C 2844h	GPTW8	General PWM Timer Interrupt and A/D Converter Start Request Skipping Setting Register	GTITC	32	32	4, 5 PCLKA	2, 3 ICLK	GPTW
000C 2848h	GPTW8	General PWM Timer Counter	GTCNT	32	32	4, 5 PCLKA	2, 3 ICLK	GPTW
000C 284Ch	GPTW8	General PWM Timer Compare Capture Register A	GTCCRA	32	32	4, 5 PCLKA	2, 3 ICLK	GPTW
000C 2850h	GPTW8	General PWM Timer Compare Capture Register B	GTCCRB	32	32	4, 5 PCLKA	2, 3 ICLK	GPTW
000C 2854h	GPTW8	General PWM Timer Compare Capture Register C	GTCCRC	32	32	4, 5 PCLKA	2, 3 ICLK	GPTW
000C 2858h	GPTW8	General PWM Timer Compare Capture Register E	GTCCRE	32	32	4, 5 PCLKA	2, 3 ICLK	GPTW
000C 285Ch	GPTW8	General PWM Timer Compare Capture Register D	GTCCRD	32	32	4, 5 PCLKA	2, 3 ICLK	GPTW
000C 2860h	GPTW8	General PWM Timer Compare Capture Register F	GTCCRF	32	32	4, 5 PCLKA	2, 3 ICLK	GPTW
000C 2864h	GPTW8	General PWM Timer Period Setting Register	GTPR	32	32	4, 5 PCLKA	2, 3 ICLK	GPTW
000C 2868h	GPTW8	General PWM Timer Period Setting Buffer Register	GTPBR	32	32	4, 5 PCLKA	2, 3 ICLK	GPTW
000C 286Ch	GPTW8	General PWM Timer Period Setting Double-Buffer Register	GTPDBR	32	32	4, 5 PCLKA	2, 3 ICLK	GPTW
000C 2870h	GPTW8	A/D Converter Start Request Timing Register A	GTADTRA	32	32	4, 5 PCLKA	2, 3 ICLK	GPTW
000C 2874h	GPTW8	A/D Converter Start Request Timing Buffer Register A	GTADTBRA	32	32	4, 5 PCLKA	2, 3 ICLK	GPTW
000C 2878h	GPTW8	A/D Converter Start Request Timing Double-Buffer Register A	GTADTDBRA	32	32	4, 5 PCLKA	2, 3 ICLK	GPTW
000C 287Ch	GPTW8	A/D Converter Start Request Timing Register B	GTADTRB	32	32	4, 5 PCLKA	2, 3 ICLK	GPTW
000C 2880h	GPTW8	A/D Converter Start Request Timing Buffer Register B	GTADTBRB	32	32	4, 5 PCLKA	2, 3 ICLK	GPTW
000C 2884h	GPTW8	A/D Converter Start Request Timing Double-Buffer Register B	GTADTDBRB	32	32	4, 5 PCLKA	2, 3 ICLK	GPTW
000C 2888h	GPTW8	General PWM Timer Dead Time Control Register	GTDTCR	32	32	4, 5 PCLKA	2, 3 ICLK	GPTW
000C 288Ch	GPTW8	General PWM Timer Dead Time Value Register U	GTDVU	32	32	4, 5 PCLKA	2, 3 ICLK	GPTW
000C 2890h	GPTW8	General PWM Timer Dead Time Value Register D	GTDVD	32	32	4, 5 PCLKA	2, 3 ICLK	GPTW
000C 2894h	GPTW8	General PWM Timer Dead Time Buffer Register U	GTDBU	32	32	4, 5 PCLKA	2, 3 ICLK	GPTW
000C 2898h	GPTW8	General PWM Timer Dead Time Buffer Register D	GTDBD	32	32	4, 5 PCLKA	2, 3 ICLK	GPTW
000C 289Ch	GPTW8	General PWM Timer Output Protection Function Status Register	GTSOS	32	32	4, 5 PCLKA	2, 3 ICLK	GPTW
000C 28A0h	GPTW8	General PWM Timer Output Protection Function Temporary Release Register	GTSOTR	32	32	4, 5 PCLKA	2, 3 ICLK	GPTW
000C 28A4h	GPTW8	General PWM Timer A/D Converter Start Request Signal Monitoring Register	GTADSMR	32	32	4, 5 PCLKA	2, 3 ICLK	GPTW
000C 28A8h	GPTW8	General PWM Timer Extended Interrupt Skipping Counter Control Register	GTEITC	32	32	4, 5 PCLKA	2, 3 ICLK	GPTW
000C 28ACh	GPTW8	General PWM Timer Extended Interrupt Skipping Setting Register 1	GTEITL1	32	32	4, 5 PCLKA	2, 3 ICLK	GPTW
000C 28B0h	GPTW8	General PWM Timer Extended Interrupt Skipping Setting Register 2	GTEITL2	32	32	4, 5 PCLKA	2, 3 ICLK	GPTW
000C 28B4h	GPTW8	General PWM Timer Extended Buffer Transfer Skipping Setting Register	GTEITLB	32	32	4, 5 PCLKA	2, 3 ICLK	GPTW
000C 28D0h	GPTW8	General PWM Timer Operation Enable Bit Simultaneous Control Channel Select Register	GTSECSR	32	32	4, 5 PCLKA	2, 3 ICLK	GPTW



**Table 4.1 List of I/O Registers (Address Order) (52 / 56)**

Address	Module Symbol	Register Name	Register Symbol	Number of Bits	Access Size	Number of Access Cycles		Related Function
						ICLK ≥ PCLK	ICLK < PCLK	
000C 28D4h	GPTW8	General PWM Timer Operation Enable Bit Simultaneous Control Register	GTSECR	32	32	4, 5 PCLKA	2, 3 ICLK	GPTW
000C 2900h	GPTW9	General PWM Timer Write-Protection Register	GTWP	32	32	4, 5 PCLKA	2, 3 ICLK	GPTW
000C 2904h	GPTW9	General PWM Timer Software Start Register	GTSTR	32	32	4, 5 PCLKA	2, 3 ICLK	GPTW
000C 2908h	GPTW9	General PWM Timer Software Stop Register	GTSTP	32	32	4, 5 PCLKA	2, 3 ICLK	GPTW
000C 290Ch	GPTW9	General PWM Timer Software Clear Register	GTCLR	32	32	4, 5 PCLKA	2, 3 ICLK	GPTW
000C 2910h	GPTW9	General PWM Timer Start Source Select Register	GTSSR	32	32	4, 5 PCLKA	2, 3 ICLK	GPTW
000C 2914h	GPTW9	General PWM Timer Stop Source Select Register	GTPSR	32	32	4, 5 PCLKA	2, 3 ICLK	GPTW
000C 2918h	GPTW9	General PWM Timer Clear Source Select Register	GTCSR	32	32	4, 5 PCLKA	2, 3 ICLK	GPTW
000C 291Ch	GPTW9	General PWM Timer Count-Up Source Select Register	GTUPSR	32	32	4, 5 PCLKA	2, 3 ICLK	GPTW
000C 2920h	GPTW9	General PWM Timer Count-Down Source Select Register	GTDNSR	32	32	4, 5 PCLKA	2, 3 ICLK	GPTW
000C 2924h	GPTW9	General PWM Timer Input Capture Source Select Register A	GTICASR	32	32	4, 5 PCLKA	2, 3 ICLK	GPTW
000C 2928h	GPTW9	General PWM Timer Input Capture Source Select Register B	GTICBSR	32	32	4, 5 PCLKA	2, 3 ICLK	GPTW
000C 292Ch	GPTW9	General PWM Timer Control Register	GTCR	32	32	4, 5 PCLKA	2, 3 ICLK	GPTW
000C 2930h	GPTW9	General PWM Timer Count Direction and Duty Setting Register	GTUDDTYC	32	32	4, 5 PCLKA	2, 3 ICLK	GPTW
000C 2934h	GPTW9	General PWM Timer I/O Control Register	GTIOR	32	32	4, 5 PCLKA	2, 3 ICLK	GPTW
000C 2938h	GPTW9	General PWM Timer Interrupt Output Setting Register	GTINTAD	32	32	4, 5 PCLKA	2, 3 ICLK	GPTW
000C 293Ch	GPTW9	General PWM Timer Status Register	GTST	32	32	4, 5 PCLKA	2, 3 ICLK	GPTW
000C 2940h	GPTW9	General PWM Timer Buffer Enable Register	GTBER	32	32	4, 5 PCLKA	2, 3 ICLK	GPTW
000C 2944h	GPTW9	General PWM Timer Interrupt and A/D Converter Start Request Skipping Setting Register	GTITC	32	32	4, 5 PCLKA	2, 3 ICLK	GPTW
000C 2948h	GPTW9	General PWM Timer Counter	GTCNT	32	32	4, 5 PCLKA	2, 3 ICLK	GPTW
000C 294Ch	GPTW9	General PWM Timer Compare Capture Register A	GTCCRA	32	32	4, 5 PCLKA	2, 3 ICLK	GPTW
000C 2950h	GPTW9	General PWM Timer Compare Capture Register B	GTCCRB	32	32	4, 5 PCLKA	2, 3 ICLK	GPTW
000C 2954h	GPTW9	General PWM Timer Compare Capture Register C	GTCCRC	32	32	4, 5 PCLKA	2, 3 ICLK	GPTW
000C 2958h	GPTW9	General PWM Timer Compare Capture Register E	GTCCRE	32	32	4, 5 PCLKA	2, 3 ICLK	GPTW
000C 295Ch	GPTW9	General PWM Timer Compare Capture Register D	GTCCRD	32	32	4, 5 PCLKA	2, 3 ICLK	GPTW
000C 2960h	GPTW9	General PWM Timer Compare Capture Register F	GTCCRF	32	32	4, 5 PCLKA	2, 3 ICLK	GPTW
000C 2964h	GPTW9	General PWM Timer Period Setting Register	GTPR	32	32	4, 5 PCLKA	2, 3 ICLK	GPTW
000C 2968h	GPTW9	General PWM Timer Period Setting Buffer Register	GTPBR	32	32	4, 5 PCLKA	2, 3 ICLK	GPTW
000C 296Ch	GPTW9	General PWM Timer Period Setting Double-Buffer Register	GTPDBR	32	32	4, 5 PCLKA	2, 3 ICLK	GPTW
000C 2970h	GPTW9	A/D Converter Start Request Timing Register A	GTADTRA	32	32	4, 5 PCLKA	2, 3 ICLK	GPTW
000C 2974h	GPTW9	A/D Converter Start Request Timing Buffer Register A	GTADTBRA	32	32	4, 5 PCLKA	2, 3 ICLK	GPTW
000C 2978h	GPTW9	A/D Converter Start Request Timing Double-Buffer Register A	GTADTBRA	32	32	4, 5 PCLKA	2, 3 ICLK	GPTW
000C 297Ch	GPTW9	A/D Converter Start Request Timing Register B	GTADTRB	32	32	4, 5 PCLKA	2, 3 ICLK	GPTW
000C 2980h	GPTW9	A/D Converter Start Request Timing Buffer Register B	GTADTRB	32	32	4, 5 PCLKA	2, 3 ICLK	GPTW
000C 2984h	GPTW9	A/D Converter Start Request Timing Double-Buffer Register B	GTADTRB	32	32	4, 5 PCLKA	2, 3 ICLK	GPTW
000C 2988h	GPTW9	General PWM Timer Dead Time Control Register	GTDTCR	32	32	4, 5 PCLKA	2, 3 ICLK	GPTW
000C 298Ch	GPTW9	General PWM Timer Dead Time Value Register U	GTDVU	32	32	4, 5 PCLKA	2, 3 ICLK	GPTW
000C 2990h	GPTW9	General PWM Timer Dead Time Value Register D	GTDVD	32	32	4, 5 PCLKA	2, 3 ICLK	GPTW
000C 2994h	GPTW9	General PWM Timer Dead Time Buffer Register U	GTDBU	32	32	4, 5 PCLKA	2, 3 ICLK	GPTW
000C 2998h	GPTW9	General PWM Timer Dead Time Buffer Register D	GTDBD	32	32	4, 5 PCLKA	2, 3 ICLK	GPTW
000C 299Ch	GPTW9	General PWM Timer Output Protection Function Status Register	GTSOS	32	32	4, 5 PCLKA	2, 3 ICLK	GPTW
000C 29A0h	GPTW9	General PWM Timer Output Protection Function Temporary Release Register	GTSOTR	32	32	4, 5 PCLKA	2, 3 ICLK	GPTW
000C 29A4h	GPTW9	General PWM Timer A/D Converter Start Request Signal Monitoring Register	GTADSMR	32	32	4, 5 PCLKA	2, 3 ICLK	GPTW

**Table 4.1 List of I/O Registers (Address Order) (53 / 56)**

Address	Module Symbol	Register Name	Register Symbol	Number of Bits	Access Size	Number of Access Cycles		Related Function
						ICLK ≥ PCLK	ICLK < PCLK	
000C 29A8h	GPTW9	General PWM Timer Extended Interrupt Skipping Counter Control Register	GTEITC	32	32	4, 5 PCLKA	2, 3 ICLK	GPTW
000C 29ACh	GPTW9	General PWM Timer Extended Interrupt Skipping Setting Register 1	GTEITL1	32	32	4, 5 PCLKA	2, 3 ICLK	GPTW
000C 29B0h	GPTW9	General PWM Timer Extended Interrupt Skipping Setting Register 2	GTEITL2	32	32	4, 5 PCLKA	2, 3 ICLK	GPTW
000C 29B4h	GPTW9	General PWM Timer Extended Buffer Transfer Skipping Setting Register	GTEITLB	32	32	4, 5 PCLKA	2, 3 ICLK	GPTW
000C 29D0h	GPTW9	General PWM Timer Operation Enable Bit Simultaneous Control Channel Select Register	GTSECSR	32	32	4, 5 PCLKA	2, 3 ICLK	GPTW
000C 29D4h	GPTW9	General PWM Timer Operation Enable Bit Simultaneous Control Register	GTSECR	32	32	4, 5 PCLKA	2, 3 ICLK	GPTW
000C 2A00h	HRPWM	HRPWM Operation Control Register	HROCR	16	16	4, 5 PCLKA	2, 3 ICLK	HRPWM
000C 2A02h	HRPWM	HRPWM Operation Control Register 2	HROCR2	16	16	4, 5 PCLKA	2, 3 ICLK	HRPWM
000C 2A18h	HRPWM	GTIOC0A Pin Rising Edge Adjustment Register	HRREAR0A	16	16	4, 5 PCLKA	2, 3 ICLK	HRPWM
000C 2A1Ah	HRPWM	GTIOC0B Pin Rising Edge Adjustment Register	HRREAR0B	16	16	4, 5 PCLKA	2, 3 ICLK	HRPWM
000C 2A1Ch	HRPWM	GTIOC1A Pin Rising Edge Adjustment Register	HRREAR1A	16	16	4, 5 PCLKA	2, 3 ICLK	HRPWM
000C 2A1Eh	HRPWM	GTIOC1B Pin Rising Edge Adjustment Register	HRREAR1B	16	16	4, 5 PCLKA	2, 3 ICLK	HRPWM
000C 2A20h	HRPWM	GTIOC2A Pin Rising Edge Adjustment Register	HRREAR2A	16	16	4, 5 PCLKA	2, 3 ICLK	HRPWM
000C 2A22h	HRPWM	GTIOC2B Pin Rising Edge Adjustment Register	HRREAR2B	16	16	4, 5 PCLKA	2, 3 ICLK	HRPWM
000C 2A24h	HRPWM	GTIOC3A Pin Rising Edge Adjustment Register	HRREAR3A	16	16	4, 5 PCLKA	2, 3 ICLK	HRPWM
000C 2A26h	HRPWM	GTIOC3B Pin Rising Edge Adjustment Register	HRREAR3B	16	16	4, 5 PCLKA	2, 3 ICLK	HRPWM
000C 2A28h	HRPWM	GTIOC0A Pin Falling Edge Adjustment Register	HRFEAR0A	16	16	4, 5 PCLKA	2, 3 ICLK	HRPWM
000C 2A2Ah	HRPWM	GTIOC0B Pin Falling Edge Adjustment Register	HRFEAR0B	16	16	4, 5 PCLKA	2, 3 ICLK	HRPWM
000C 2A2Ch	HRPWM	GTIOC1A Pin Falling Edge Adjustment Register	HRFEAR1A	16	16	4, 5 PCLKA	2, 3 ICLK	HRPWM
000C 2A2Eh	HRPWM	GTIOC1B Pin Falling Edge Adjustment Register	HRFEAR1B	16	16	4, 5 PCLKA	2, 3 ICLK	HRPWM
000C 2A30h	HRPWM	GTIOC2A Pin Falling Edge Adjustment Register	HRFEAR2A	16	16	4, 5 PCLKA	2, 3 ICLK	HRPWM
000C 2A32h	HRPWM	GTIOC2B Pin Falling Edge Adjustment Register	HRFEAR2B	16	16	4, 5 PCLKA	2, 3 ICLK	HRPWM
000C 2A34h	HRPWM	GTIOC3A Pin Falling Edge Adjustment Register	HRFEAR3A	16	16	4, 5 PCLKA	2, 3 ICLK	HRPWM
000C 2A36h	HRPWM	GTIOC3B Pin Falling Edge Adjustment Register	HRFEAR3B	16	16	4, 5 PCLKA	2, 3 ICLK	HRPWM
000D 0000h	SCI11	Serial Mode Register	SMR	8	8	2, 3 PCLKA	2 ICLK	SCIj, SCii, SCih
000D 0000h	SMCI11	Serial Mode Register	SMR	8	8	2, 3 PCLKA	2 ICLK	SCIj, SCii, SCih
000D 0001h	SCI11	Bit Rate Register	BRR	8	8	2, 3 PCLKA	2 ICLK	SCIj, SCii, SCih
000D 0002h	SCI11	Serial Control Register	SCR	8	8	2, 3 PCLKA	2 ICLK	SCIj, SCii, SCih
000D 0002h	SMCI11	Serial Control Register	SCR	8	8	2, 3 PCLKA	2 ICLK	SCIj, SCii, SCih
000D 0003h	SCI11	Transmit Data Register	TDR	8	8	2, 3 PCLKA	2 ICLK	SCIj, SCii, SCih
000D 0004h	SCI11	Serial Status Register	SSR	8	8	2, 3 PCLKA	2 ICLK	SCIj, SCii, SCih
000D 0004h	SMCI11	Serial Status Register	SSR	8	8	2, 3 PCLKA	2 ICLK	SCIj, SCii, SCih
000D 0004h	SCI11	Serial Status Register	SSRFIFO	8	8	2, 3 PCLKA	2 ICLK	SCIj, SCii, SCih
000D 0005h	SCI11	Receive Data Register	RDR	8	8	2, 3 PCLKA	2 ICLK	SCIj, SCii, SCih

**Table 4.1 List of I/O Registers (Address Order) (54 / 56)**

Address	Module Symbol	Register Name	Register Symbol	Number of Bits	Access Size	Number of Access Cycles		Related Function
						ICLK ≥ PCLK	ICLK < PCLK	
000D 0006h	SMCI11	Smart Card Mode Register	SCMR	8	8	2, 3 PCLKA	2 ICLK	SCIj, SCli, SClh
000D 0007h	SCI11	Serial Extended Mode Register	SEMR	8	8	2, 3 PCLKA	2 ICLK	SCIj, SCli, SClh
000D 0008h	SCI11	Noise Filter Setting Register	SNFR	8	8	2, 3 PCLKA	2 ICLK	SCIj, SCli, SClh
000D 0009h	SCI11	I2C Mode Register 1	SIMR1	8	8	2, 3 PCLKA	2 ICLK	SCIj, SCli, SClh
000D 000Ah	SCI11	I2C Mode Register 2	SIMR2	8	8	2, 3 PCLKA	2 ICLK	SCIj, SCli, SClh
000D 000Bh	SCI11	I2C Mode Register 3	SIMR3	8	8	2, 3 PCLKA	2 ICLK	SCIj, SCli, SClh
000D 000Ch	SCI11	I2C Status Register	SISR	8	8	2, 3 PCLKA	2 ICLK	SCIj, SCli, SClh
000D 000Dh	SCI11	SPI Mode Register	SPMR	8	8	2, 3 PCLKA	2 ICLK	SCIj, SCli, SClh
000D 000Eh	SCI11	Transmit Data Register H	TDRH	8	8	2, 3 PCLKA	2 ICLK	SCIj, SCli, SClh
000D 000Fh	SCI11	Transmit Data Register L	TDRL	8	8	2, 3 PCLKA	2 ICLK	SCIj, SCli, SClh
000D 000Eh	SCI11	Transmit Data Register HL	TDRHL	16	8, 16	2 to 5 PCLKA	2 ICLK	SCIj, SCli, SClh
000D 000Eh	SCI11	Transmit FIFO Data Register H	FTDR.H	8	8	2, 3 PCLKA	2 ICLK	SCIj, SCli, SClh
000D 000Fh	SCI11	Transmit FIFO Data Register L	FTDR.L	8	8	2, 3 PCLKA	2 ICLK	SCIj, SCli, SClh
000D 000Eh	SCI11	Transmit FIFO Data Register	FTDR	16	8, 16	2 to 5 PCLKA	2 ICLK	SCIj, SCli, SClh
000D 0010h	SCI11	Receive Data Register H	RDRH	8	8	2, 3 PCLKA	2 ICLK	SCIj, SCli, SClh
000D 0011h	SCI11	Receive Data Register L	RDRL	8	8	2, 3 PCLKA	2 ICLK	SCIj, SCli, SClh
000D 0010h	SCI11	Receive Data Register	RDRHL	16	8, 16	2 to 5 PCLKA	2 ICLK	SCIj, SCli, SClh
000D 0010h	SCI11	Receive FIFO Data Register H	FRDR.H	8	8	2, 3 PCLKA	2 ICLK	SCIj, SCli, SClh
000D 0011h	SCI11	Receive FIFO Data Register L	FRDR.L	8	8	2, 3 PCLKA	2 ICLK	SCIj, SCli, SClh
000D 0010h	SCI11	Receive FIFO Data Register HL	FRDR	16	8, 16	2 to 5 PCLKA	2 ICLK	SCIj, SCli, SClh
000D 0012h	SCI11	Modulation Duty Register	MDDR	8	8	2, 3 PCLKA	2 ICLK	SCIj, SCli, SClh
000D 0013h	SCI11	Data Comparison Control Register	DCCR	8	8	2, 3 PCLKA	2 ICLK	SCIj, SCli, SClh
000D 0014h	SCI11	FIFO Control Register H	FCR.H	8	8	2, 3 PCLKA	2 ICLK	SCIj, SCli, SClh

**Table 4.1 List of I/O Registers (Address Order) (55 / 56)**

Address	Module Symbol	Register Name	Register Symbol	Number of Bits	Access Size	Number of Access Cycles		Related Function
						ICLK ≥ PCLK	ICLK < PCLK	
000D 0015h	SCI11	FIFO Control Register L	FCR.L	8	8	2, 3 PCLKA	2 ICLK	SCIj, SCli, SClh
000D 0014h	SCI11	FIFO Control Register	FCR	16	8, 16	2 to 5 PCLKA	2 ICLK	SCIj, SCli, SClh
000D 0016h	SCI11	FIFO Data Count Register H	FDR.H	8	8	2, 3 PCLKA	2 ICLK	SCIj, SCli, SClh
000D 0017h	SCI11	FIFO Data Count Register L	FDR.L	8	8	2, 3 PCLKA	2 ICLK	SCIj, SCli, SClh
000D 0016h	SCI11	FIFO Data Count Register	FDR	16	8, 16	2 to 5 PCLKA	2 ICLK	SCIj, SCli, SClh
000D 0018h	SCI11	Line Status Register H	LSR.H	8	8	2, 3 PCLKA	2 ICLK	SCIj, SCli, SClh
000D 0019h	SCI11	Line Status Register L	LSR.L	8	8	2, 3 PCLKA	2 ICLK	SCIj, SCli, SClh
000D 0018h	SCI11	Line Status Register	LSR	16	8, 16	2 to 5 PCLKA	2 ICLK	SCIj, SCli, SClh
000D 001Ah	SCI11	Comparison Data Register H	CDR.H	8	8	2, 3 PCLKA	2 ICLK	SCIj, SCli, SClh
000D 001Bh	SCI11	Comparison Data Register L	CDR.L	8	8	2, 3 PCLKA	2 ICLK	SCIj, SCli, SClh
000D 001Ah	SCI11	Comparison Data Register	CDR	16	8, 16	2 to 5 PCLKA	2 ICLK	SCIj, SCli, SClh
000D 001Ch	SCI11	Serial Port Register	SPTR	8	8	2, 3 PCLKA	2 ICLK	SCIj, SCli, SClh
000D 0100h	RSPI0	RSPI Control Register	SPCR	8	8	2, 3 PCLKA	2 ICLK	RSPIc
000D 0101h	RSPI0	RSPI Slave Select Polarity Register	SSLP	8	8	2, 3 PCLKA	2 ICLK	RSPIc
000D 0102h	RSPI0	RSPI Pin Control Register	SPPCR	8	8	2, 3 PCLKA	2 ICLK	RSPIc
000D 0103h	RSPI0	RSPI Status Register	SPSR	8	8	2, 3 PCLKA	2 ICLK	RSPIc
000D 0104h	RSPI0	RSPI Data Register	SPDR	32	8, 16, 32	2, 3 PCLKA	2 ICLK	RSPIc
000D 0108h	RSPI0	RSPI Sequence Control Register	SPSCR	8	8	2, 3 PCLKA	2 ICLK	RSPIc
000D 0109h	RSPI0	RSPI Sequence Status Register	SPSSR	8	8	2, 3 PCLKA	2 ICLK	RSPIc
000D 010Ah	RSPI0	RSPI Bit Rate Register	SPBR	8	8	2, 3 PCLKA	2 ICLK	RSPIc
000D 010Bh	RSPI0	RSPI Data Control Register	SPDCR	8	8	2, 3 PCLKA	2 ICLK	RSPIc
000D 010Ch	RSPI0	RSPI Clock Delay Register	SPCKD	8	8	2, 3 PCLKA	2 ICLK	RSPIc
000D 010Dh	RSPI0	RSPI Slave Select Negation Delay Register	SSLND	8	8	2, 3 PCLKA	2 ICLK	RSPIc
000D 010Eh	RSPI0	RSPI Next-Access Delay Register	SPND	8	8	2, 3 PCLKA	2 ICLK	RSPIc
000D 010Fh	RSPI0	RSPI Control Register 2	SPCR2	8	8	2, 3 PCLKA	2 ICLK	RSPIc
000D 0110h	RSPI0	RSPI Command Register 0	SPCMD0	16	16	2, 3 PCLKA	2 ICLK	RSPIc
000D 0112h	RSPI0	RSPI Command Register 1	SPCMD1	16	16	2, 3 PCLKA	2 ICLK	RSPIc
000D 0114h	RSPI0	RSPI Command Register 2	SPCMD2	16	16	2, 3 PCLKA	2 ICLK	RSPIc
000D 0116h	RSPI0	RSPI Command Register 3	SPCMD3	16	16	2, 3 PCLKA	2 ICLK	RSPIc
000D 0118h	RSPI0	RSPI Command Register 4	SPCMD4	16	16	2, 3 PCLKA	2 ICLK	RSPIc
000D 011Ah	RSPI0	RSPI Command Register 5	SPCMD5	16	16	2, 3 PCLKA	2 ICLK	RSPIc
000D 011Ch	RSPI0	RSPI Command Register 6	SPCMD6	16	16	2, 3 PCLKA	2 ICLK	RSPIc
000D 011Eh	RSPI0	RSPI Command Register 7	SPCMD7	16	16	2, 3 PCLKA	2 ICLK	RSPIc
000D 0120h	RSPI0	RSPI Data Control Register 2	SPDCR2	8	8	2, 3 PCLKA	2 ICLK	RSPIc
0012 0040h	OFSM	Serial Programmer Command Control Register	SPCC	32	32	8 FCLK		Option-Setting Memory

**Table 4.1 List of I/O Registers (Address Order) (56 / 56)**

Address	Module Symbol	Register Name	Register Symbol	Number of Bits	Access Size	Number of Access Cycles		Related Function
						ICLK ≥ PCLK	ICLK < PCLK	
0012 0048h	OFSM	TM Enable Flag Register	TMEF	32	32	8 FCLK		Option-Setting Memory
0012 0050h	OFSM	OCD/Serial Programmer ID Setting Register	OSIS	128	32	8 FCLK		Option-Setting Memory
0012 0060h	OFSM	TM Identification Data Register	TMINF	32	32	8 FCLK		Option-Setting Memory
0012 0064h	OFSM	Endian Select Register	MDE	32	32	8 FCLK		Option-Setting Memory
0012 0068h	OFSM	Option Function Select Register 0	OFS0	32	32	8 FCLK		Option-Setting Memory
0012 006Ch	OFSM	Option Function Select Register 1	OFS1	32	32	8 FCLK		Option-Setting Memory
0012 007Ch	OFSM	ROM Code Protection Register	ROMCODE	32	32	8 FCLK		Option-Setting Memory
007F B174h	FLASH	Unique ID Register 0	UIDR0	32	32	3 to 5 FCLK	3, 4 ICLK	Flash
007F B17Ch	TEMPS	Temperature Sensor Calibration Data Register	TSCDR	32	32	3 to 5 FCLK	3, 4 ICLK	TEMPS
007F B1E4h	FLASH	Unique ID Register 1	UIDR1	32	32	3 to 5 FCLK	3, 4 ICLK	Flash
007F B1E8h	FLASH	Unique ID Register 2	UIDR2	32	32	3 to 5 FCLK	3, 4 ICLK	Flash
007F E010h	FLASH	Flash Access Status Register	FASTAT	8	8	2 to 4 FCLK	2, 3 ICLK	Flash
007F E014h	FLASH	Flash Access Error Interrupt Enable Register	FAEINT	8	8	2 to 4 FCLK	2, 3 ICLK	Flash
007F E018h	FLASH	Flash Ready Interrupt Enable Register	FRDYIE	8	8	2 to 4 FCLK	2, 3 ICLK	Flash
007F E030h	FLASH	FACI Command Processing Start Address Register	FSADDR	32	32	2 to 4 FCLK	2, 3 ICLK	Flash
007F E034h	FLASH	FACI Command Processing End Address Register	FEADDR	32	32	2 to 4 FCLK	2, 3 ICLK	Flash
007F E080h	FLASH	Flash Status Register	FSTATR	32	32	2 to 4 FCLK	2, 3 ICLK	Flash
007F E084h	FLASH	Flash P/E Mode Entry Register	FENTRYR	16	16	2 to 4 FCLK	2, 3 ICLK	Flash
007F E088h	FLASH	Flash Protection Register	FPROTR	16	16	2 to 4 FCLK	2, 3 ICLK	Flash
007F E08Ch	FLASH	Flash Sequencer Set-Up Initialization Register	FSUINITR	16	16	2 to 4 FCLK	2, 3 ICLK	Flash
007F E090h	FLASH	Lock Bit Status Register	FLKSTAT	8	8	2 to 4 FCLK	2, 3 ICLK	Flash
007F E0A0h	FLASH	FACI Command Register	FCMDR	16	16	2 to 4 FCLK	2, 3 ICLK	Flash
007F E0C0h	FLASH	Flash P/E Status Register	FPESTAT	16	16	2 to 4 FCLK	2, 3 ICLK	Flash
007F E0D0h	FLASH	Data Flash Blank Check Control Register	FBCCNT	8	8	2 to 4 FCLK	2, 3 ICLK	Flash
007F E0D4h	FLASH	Data Flash Blank Check Status Register	FBCSTAT	8	8	2 to 4 FCLK	2, 3 ICLK	Flash
007F E0D8h	FLASH	Data Flash Programming Start Address Register	FPSADDR	32	32	2 to 4 FCLK	2, 3 ICLK	Flash
007F E0E0h	FLASH	Flash Sequencer Processing Switching Register	FCPSR	16	16	2 to 4 FCLK	2, 3 ICLK	Flash
007F E0E4h	FLASH	Flash Sequencer Processing Clock Frequency Notification Register	FPCKAR	16	16	2 to 4 FCLK	2, 3 ICLK	Flash

Note 1. When the register is accessed while the USB is operating, a delay may be generated in accessing.

Note 2. The address must end with 0h, 4h, 8h, or Ch when access is made in 32-bit units. The address must end with 0h, 2h, 4h, 6h, 8h, Ah, Ch, or Eh when access is made in 16-bit units.

## 5. Electrical Characteristics

### 5.1 Absolute Maximum Ratings

**Table 5.1 Absolute Maximum Rating**

Conditions:  $V_{SS} = V_{SS\_USB} = AV_{SS0} = AV_{SS1} = AV_{SS2} = 0V$

Item		Symbol	Value	Unit
Power supply voltage*1		VCC	-0.3 to +6.5	V
USB power supply voltage*1		VCC_USB	-0.3 to +6.5	
Analog power supply voltage*1		AVCC0, AVCC1, AVCC2	-0.3 to +6.5	
Input voltage	PB1, PB2, PC0*2, and PD2*2	$V_{in}$	-0.3 to +6.5	
	P40 to P42, P44 to P46, PH0, and PH4		With negative input enabled*3	-1.0 to AVCC1 + 0.3 (up to 6.5)
			With negative input disabled	-0.3 to AVCC1 + 0.3 (up to 6.5)
	P43, P47, PH1 to PH3, and PH5 to PH7		-0.3 to AVCC1 + 0.3 (up to 6.5)	
	P50 to P55, and P60 to P65		-0.3 to AVCC2 + 0.3 (up to 6.5)	
	Other than above		-0.3 to VCC + 0.3 (up to 6.5)	
	Junction temperature		D version	$T_j$
G version		-40 to +125		
Storage temperature		$T_{stg}$	-55 to +125	

Caution: Permanent damage to the LSI may result if absolute maximum ratings are exceeded.

Note 1. Insert capacitors with good frequency characteristics between each power supply pin and the ground. Specifically, place capacitors with a value around 0.1  $\mu F$  as close as possible to every power supply pin, and use the shortest and thickest possible traces.

Note 2. This is only available for products with 128 Kbytes of RAM.

Note 3. When VOLSR.PGAVLS = 0 and ADPGADCR0.PxDEN = 1 (x = 000, 001, 002, 100, 101, 102).

## 5.2 Recommended operating conditions

**Table 5.2 Recommended operating conditions**

Item		Symbol	Min.	Typ.	Max.	Unit	
Power supply voltage		VCC*1	2.7	—	5.5	V	
		VSS	—	0	—		
USB power supply voltage*2	When USB in use	VCC_USB*1	3.0	—	3.6		
		VSS_USB	—	0	—		
	When USB not in use	VCC_USB	—	VCC	—		
		VSS_USB	—	VSS	—		
Analog power supply voltage*3		AVCC0, AVCC1, AVCC2*1	3.0	—	5.5		
		AVSS0, AVSS1, AVSS2	—	0	—		
Input voltage	PB1, PB2, PC0*4, and PD2*4		V <sub>in</sub>	-0.3	—	5.8	
	P40 to P42, and P44 to P46	With negative input enabled*5		-1.0	—	AVCC1 + 0.3	
		With negative input disabled		-0.3	—		
	PH0, PH4	With negative input enabled*5		-0.5	—	AVCC1 + 0.3	
		With negative input disabled		-0.3	—		
	P43, P47, PH1 to PH3, and PH5 to PH7			-0.3	—	AVCC1 + 0.3	
	P50 to P55, and P60 to P65			-0.3	—	AVCC2 + 0.3	
	Other than above			-0.3	—	VCC + 0.3	
Operating temperature	D version	T <sub>opr</sub>	-40	—	85	°C	
	G version		-40	—	105		

Note 1. Comply with the following voltage condition:  $VCC\_USB \leq VCC \leq AVCC0 = AVCC1 = AVCC2$

Note 2. When the USB interface is not to be used, connect VCC\_USB to VCC and VSS\_USB to VSS, and set VOLSR.USBVON=0.

Note 3. When not using any of the 12-bit A/D converter (unit 0 to 2), 12-bit D/A converter, comparator C, or temperature sensor, connect AVCC0, AVCC1, and AVCC2 to VCC, and AVSS0, AVSS1, and AVSS2 to VSS, respectively. For details, refer to section 38.6.10, Voltage Range of Analog Power Supply Pins in the User's Manual: Hardware.

Note 4. This is only available for products with 128 Kbytes of RAM.

Note 5. When VOLSR.PGAVLS = 0 and ADPGADCR0.PxDEN = 1 (x = 000, 001, 002, 100, 101, 102).

## 5.3 DC Characteristics

**Table 5.3 DC Characteristics (1)**

Conditions:  $V_{CC} = 2.7$  to  $5.5$  V,  $V_{CC\_USB} = 2.7$  to  $5.5$  V,  $AV_{CC0} = AV_{CC1} = AV_{CC2} = 3.0$  to  $5.5$  V,  
 $V_{SS} = V_{SS\_USB} = AV_{SS0} = AV_{SS1} = AV_{SS2} = 0$  V,  
 $T_a = T_{opr}$

Item		Symbol	Min.	Typ.	Max.	Unit	Test Conditions	
Schmitt trigger input voltage	CAN input pin	$V_{IH}$	$0.8 \times V_{CC}$	—	—	V		
	MTU input pin	$V_{IL}$	—	—	$0.2 \times V_{CC}$			
	GPTW input pin	$\Delta V_T$	$0.06 \times V_{CC}$	—	—			
	POE input pin							
	POEG input pin							
	TMR input pin							
	SCI input pin	IRQ input pin (except for P52 to P55, and P60 to P65)	$V_{IH}$	$0.8 \times V_{CC}$	—			—
	ADTRG# input pin		$V_{IL}$	—	—			$0.2 \times V_{CC}$
	RES#, NMI		$\Delta V_T$	$0.06 \times V_{CC}$	—			—
	IRQ input pin (P52 to P55, and P60 to P65)	$V_{IH}$	$0.8 \times AV_{CC2}$	—	—			
		$V_{IL}$	—	—	$0.2 \times AV_{CC2}$			
		$\Delta V_T$	$0.06 \times AV_{CC2}$	—	—			
	RIIC input pin (except for SMBus)	$V_{IH}$	$0.7 \times V_{CC}$	—	—			
		$V_{IL}$	—	—	$0.3 \times V_{CC}$			
		$\Delta V_T$	$0.06 \times V_{CC}$	—	—			
	Pins for 5 V tolerant (PB1, PB2, PC0*1, and PD2*1)	$V_{IH}$	$0.8 \times V_{CC}$	—	—			
		$V_{IL}$	—	—	$0.2 \times V_{CC}$			
	Analog input pins (P40 to P47, and PH0 to PH7)	$V_{IH}$	$0.8 \times AV_{CC1}$	—	—			
		$V_{IL}$	—	—	$0.2 \times AV_{CC1}$			
	Analog input pins (P50 to P55, and P60 to P65)	$V_{IH}$	$0.8 \times AV_{CC2}$	—	—			
$V_{IL}$		—	—	$0.2 \times AV_{CC2}$				
Other input pins (pins other than those above)	$V_{IH}$	$0.8 \times V_{CC}$	—	—				
	$V_{IL}$	—	—	$0.2 \times V_{CC}$				
High-level input voltage (except for Schmitt trigger input pin)	MD pin, EMLE	$V_{IH}$	$0.9 \times V_{CC}$	—	—	V		
	EXTAL, WAIT#, RSPI input pin		$0.8 \times V_{CC}$	—	—			
	D0 to D15		$0.7 \times V_{CC}$	—	—			
	RIIC (SMBus)		2.1	—	—			
Low-level input voltage (except for Schmitt trigger input pin)	MD pin, EMLE	$V_{IL}$	—	—	$0.1 \times V_{CC}$	V		
	EXTAL, WAIT#, RSPI input pin		—	—	$0.2 \times V_{CC}$			
	D0 to D15		—	—	$0.3 \times V_{CC}$			
	RIIC (SMBus)		—	—	0.8			

Note 1. This is only available for products with 128 Kbytes of RAM.



**Table 5.4 DC Characteristics (2)**

Conditions:  $V_{CC} = 2.7$  to  $5.5$  V,  $V_{CC\_USB} = 2.7$  to  $5.5$  V,  $AVCC0 = AVCC1 = AVCC2 = 3.0$  to  $5.5$  V,  
 $V_{SS} = V_{SS\_USB} = AVSS0 = AVSS1 = AVSS2 = 0$  V,  
 $T_a = T_{opr}$

Item	Symbol	Min.	Typ.	Max.	Unit	Test Conditions
High-level output voltage	P43, P47, PH1 to PH3, and PH5 to PH7	$AVCC1 - 0.5$	—	—	V	$I_{OH} = -1.0$ mA
	P50 to P55, and P60 to P65	$AVCC2 - 0.5$	—	—		$I_{OH} = -1.0$ mA
	P90 to P95, P71 to P76, P81, PB5, and PD3	$V_{CC} - 1.0$	—	—		$I_{OH} = -5.0$ mA (when the large current output is set)
	Other than above	$V_{CC} - 0.5$	—	—		$I_{OH} = -1.0$ mA
Low-level output voltage	P43, P47, PH1 to PH3, and PH5 to PH7	—	—	0.5		$I_{OL} = 1.0$ mA
	P50 to P55, and P60 to P65	—	—	0.5		$I_{OL} = 1.0$ mA
	P90 to P95, P71 to P76, P81, PB5, and PD3	—	—	1.0		$I_{OL} = 15$ mA (when the large current output is set)
	RIIC pins	—	—	0.4		$I_{OL} = 3.0$ mA
		—	—	0.6		$I_{OL} = 6.0$ mA
	Other than above	—	—	0.5		$I_{OL} = 1.0$ mA
Input leakage current	RES#, MD pin, PE2, and EMLE*1	—	—	1.0	$\mu$ A	$V_{in} = 0$ V $V_{in} = V_{CC}$
	P40 to P42, and P44 to P46	—	—	1.0		$V_{in} = 0$ V $V_{in} = AVCC1$
	PH0 and PH4	—	—	1.0		$V_{in} = 0$ V $V_{in} = AVCC1$ VOLSR.PGAVLS = 1
Three-state leakage current (off state)	RIIC pins	—	—	5.0		$V_{in} = 0$ V $V_{in} = V_{CC}$
	Other than above	—	—	1.0		
Input pull-up resistors current	P43, P47, PH1 to PH3, PH5 to PH7, P50 to P55, and P60 to P65	−300	—	−10		$AVCC1 = AVCC2 = 3.0$ to $5.5$ V $V_{in} = 0$ V
	Pins other than those above and PE2	−300	—	−10		$V_{CC} = 2.7$ to $5.5$ V $V_{in} = 0$ V
Input pull-down resistors current	EMLE	10	—	300		$V_{in} = V_{CC} = AVCC$
Input capacitance	RIIC pins, PH0, and PH4	—	—	16	$\mu$ F	$V_{bias} = 0$ V $V_{amp} = 20$ mV $f = 1$ MHz $T_a = 25^\circ$ C
	USB0_DP, and USB0_DM pins	—	—	TBD		
	Other than above	—	—	8		

Note 1. The input leakage current value at the EMLE pin is only when  $V_{in} = 0$  V.

**Table 5.5 DC Characteristics (3) (Products with 64 Kbytes of RAM, D version)**

Conditions: VCC = 2.7 to 5.5 V, VCC\_USB = 2.7 to 5.5 V, AVCC0 = AVCC1 = AVCC2 = 3.0 to 5.5V,  
 VSS = VSS\_USB = AVSS0 = AVSS1 = AVSS2 = 0 V,  
 T<sub>a</sub> = T<sub>opr</sub>

Item	Symbol	D version			Unit	Test Conditions		
		Min.	Typ.	Max.				
Supply current*1	I <sub>CC</sub> *3	Normal operating mode	Full operation*2		75	mA	ICLK = 160 MHz PCLKA = 80 MHz PCLKB = 40 MHz PCLKC = 160 MHz PCLKD = 40 MHz FCLK = 40 MHz BCLK = 40 MHz BCLK pin = 40 MHz	
			Normal operation	Peripheral module clocks are supplied*4				—
				Peripheral module clocks are stopped*4, *5				12
			CoreMark	Peripheral module clocks are stopped*4, *5				21
				Sleep mode: Peripheral module clocks are supplied*4				18
			All module clock stop mode (reference value)		9.4			23
			Increase current by BGO operation*6		13			—
			Increase current by operating Trusted Secure IP		3.9			5.0
			Software standby mode		0.9			7.0
		Deep software standby mode		14	20	μA	VOLSR.PGAVLS = 1	

- Note 1. Supply current values are measured when all output pins are unloaded and all input pull-up resistors are disabled.
- Note 2. Peripheral module clocks are supplied. This does not include operations as BGO (background operations).
- Note 3. I<sub>CC</sub> depends on f (ICLK) as follows.  
 (when ICLK : PCLKA : PCLKB : PCLKC : PCLKD : BCLK : BCLK pin = 4 : 2 : 1 : 4 : 1 : 1 : 1 and EXTAL = 16 MHz)  
 • D version product  
 I<sub>CC</sub> Max. = 0.375 × f + 15 (full operation in high-speed operating mode)  
 I<sub>CC</sub> Typ. = 0.099 × f + 5 (normal operation in high-speed operating mode)  
 I<sub>CC</sub> Max. = 0.135 × f + 15 (sleep mode)
- Note 4. This does not include operations as BGO (background operations). Whether the peripheral module clocks are supplied or stopped is controlled only by the bit settings in the module stop control registers A to D.
- Note 5. When peripheral module clocks are stopped, each clock frequency is set for division by 64, and the frequencies of FCLK, BCLK, PCLKA, PCLKB, PCLKC, PCLKD, and the BCLK pin are the same.
- Note 6. This is an increase caused by program/erase operation to the code flash memory or data flash memory during executing the user program.

**Table 5.6 DC Characteristics (3) (Products with 64 Kbytes of RAM, G version)**

Conditions:  $V_{CC} = 2.7$  to  $5.5$  V,  $V_{CC\_USB} = 2.7$  to  $5.5$  V,  $AV_{CC0} = AV_{CC1} = AV_{CC2} = 3.0$  to  $5.5$  V,  
 $V_{SS} = V_{SS\_USB} = AV_{SS0} = AV_{SS1} = AV_{SS2} = 0$  V,  
 $T_a = T_{opr}$

Supply current*1	Item		Symbol	G version			Unit	Test Conditions
				Min.	Typ.	Max.		
Normal operating mode	Full operation*2		$I_{CC}^{*3}$	—	—	82	mA	ICLK = 160 MHz PCLKA = 80 MHz PCLKB = 40 MHz PCLKC = 160 MHz PCLKD = 40 MHz FCLK = 40 MHz BCLK = 40 MHz BCLK pin = 40 MHz
	Normal operation	Peripheral module clocks are supplied*4		—	21	—		
		Peripheral module clocks are stopped*4, *5		—	12	—		
	CoreMark	Peripheral module clocks are stopped*4, *5		—	21	—		
	Sleep mode: Peripheral module clocks are supplied*4			—	18	42		
	All module clock stop mode (reference value)			—	9.4	28		
	Increase current by BGO operation*6			—	13	—		
	Increase current by operating Trusted Secure IP			—	3.9	5.0		
	Software standby mode			—	0.9	11.2		
	Deep software standby mode			—	14	26	VOLSR.PGAVLS = 1	

Note 1. Supply current values are measured when all output pins are unloaded and all input pull-up resistors are disabled.

Note 2. Peripheral module clocks are supplied. This does not include operations as BGO (background operations).

Note 3.  $I_{CC}$  depends on  $f$  (ICLK) as follows.

(when ICLK : PCLKA : PCLKB : PCLKC : PCLKD : BCLK : BCLK pin = 4 : 2 : 1 : 4 : 1 : 1 : 1 and EXTAL = 16 MHz)

• G version product

$I_{CC}$  Max. =  $0.394 \times f + 19$  (full operation in high-speed operating mode)

$I_{CC}$  Typ. =  $0.099 \times f + 5$  (normal operation in high-speed operating mode)

$I_{CC}$  Max. =  $0.144 \times f + 19$  (sleep mode)

Note 4. This does not include operations as BGO (background operations). Whether the peripheral module clocks are supplied or stopped is controlled only by the bit settings in the module stop control registers A to D.

Note 5. When peripheral module clocks are stopped, each clock frequency is set for division by 64, and the frequencies of FCLK, BCLK, PCLKA, PCLKB, PCLKC, PCLKD, and the BCLK pin are the same.

Note 6. This is an increase caused by program/erase operation to the code flash memory or data flash memory during executing the user program.

**Table 5.7 DC Characteristics (3) (Products with 128 Kbytes of RAM, D version)**

Conditions:  $V_{CC} = 2.7$  to  $5.5$  V,  $V_{CC\_USB} = 2.7$  to  $5.5$  V,  $AVCC0 = AVCC1 = AVCC2 = 3.0$  to  $5.5$  V,  
 $V_{SS} = V_{SS\_USB} = AVSS0 = AVSS1 = AVSS2 = 0$  V,  
 $T_a = T_{opr}$

Supply current*1	Item		Symbol	D version			Unit	Test Conditions
				Min.	Typ.	Max.		
Normal operating mode	Full operation*2		$I_{CC}^{*3}$	—	—	TBD	mA	ICLK = 160 MHz PCLKA = 80 MHz PCLKB = 40 MHz PCLKC = 160 MHz PCLKD = 40 MHz FCLK = 40 MHz BCLK = 40 MHz BCLK pin = 40 MHz
	Normal operation	Peripheral module clocks are supplied*4		—	TBD	—		
		Peripheral module clocks are stopped*4, *5		—	TBD	—		
	CoreMark	Peripheral module clocks are stopped*4, *5		—	TBD	—		
	Sleep mode: Peripheral module clocks are supplied*4			—	TBD	TBD		
	All module clock stop mode (reference value)			—	TBD	TBD		
	Increase current by BGO operation*6			—	TBD	—		
	Increase current by operating Trusted Secure IP			—	TBD	TBD		
	Software standby mode			—	TBD	TBD		
	Deep software standby mode			—	TBD	TBD	VOLSR.PGAVLS = 1	

Note 1. Supply current values are measured when all output pins are unloaded and all input pull-up resistors are disabled.

Note 2. Peripheral module clocks are supplied. This does not include operations as BGO (background operations).

Note 3.  $I_{CC}$  depends on  $f$  (ICLK) as follows.

(when ICLK : PCLKA : PCLKB : PCLKC : PCLKD : BCLK : BCLK pin = 4 : 2 : 1 : 4 : 1 : 1 : 1 and EXTAL = 16 MHz)

• D version product

$I_{CC} \text{ Max.} = \text{TBD} \times f + \text{TBD}$  (full operation in high-speed operating mode)

$I_{CC} \text{ Typ.} = \text{TBD} \times f + \text{TBD}$  (normal operation in high-speed operating mode)

$I_{CC} \text{ Max.} = \text{TBD} \times f + \text{TBD}$  (sleep mode)

Note 4. This does not include operations as BGO (background operations). Whether the peripheral module clocks are supplied or stopped is controlled only by the bit settings in the module stop control registers A to D.

Note 5. When peripheral module clocks are stopped, each clock frequency is set for division by 64, and the frequencies of FCLK, BCLK, PCLKA, PCLKB, PCLKC, PCLKD, and the BCLK pin are the same.

Note 6. This is an increase caused by program/erase operation to the code flash memory or data flash memory during executing the user program.

**Table 5.8 DC Characteristics (3) (Products with 128 Kbytes of RAM, G version)**

Conditions:  $V_{CC} = 2.7$  to  $5.5$  V,  $V_{CC\_USB} = 2.7$  to  $5.5$  V,  $AVCC0 = AVCC1 = AVCC2 = 3.0$  to  $5.5$  V,  
 $V_{SS} = V_{SS\_USB} = AVSS0 = AVSS1 = AVSS2 = 0$  V,  
 $T_a = T_{opr}$

Supply current*1	Item		Symbol	G version			Unit	Test Conditions
				Min.	Typ.	Max.		
Normal operating mode	Full operation*2		$I_{CC}^{*3}$	—	—	TBD	mA	ICLK = 160 MHz PCLKA = 80 MHz PCLKB = 40 MHz PCLKC = 160 MHz PCLKD = 40 MHz FCLK = 40 MHz BCLK = 40 MHz BCLK pin = 40 MHz
	Normal operation	Peripheral module clocks are supplied*4		—	TBD	—		
		Peripheral module clocks are stopped*4, *5		—	TBD	—		
	CoreMark	Peripheral module clocks are stopped*4, *5		—	TBD	—		
	Sleep mode: Peripheral module clocks are supplied*4			—	TBD	TBD		
	All module clock stop mode (reference value)			—	TBD	TBD		
	Increase current by BGO operation*6			—	TBD	—		
	Increase current by operating Trusted Secure IP			—	TBD	TBD		
	Software standby mode			—	TBD	TBD		
	Deep software standby mode			—	TBD	TBD	μA VOLSR.PGAVLS = 1	

Note 1. Supply current values are measured when all output pins are unloaded and all input pull-up resistors are disabled.

Note 2. Peripheral module clocks are supplied. This does not include operations as BGO (background operations).

Note 3.  $I_{CC}$  depends on  $f$  (ICLK) as follows.

(when ICLK : PCLKA : PCLKB : PCLKC : PCLKD : BCLK : BCLK pin = 4 : 2 : 1 : 4 : 1 : 1 : 1 and EXTAL = 16 MHz)

• G version product

$I_{CC} \text{ Max.} = \text{TBD} \times f + \text{TBD}$  (full operation in high-speed operating mode)

$I_{CC} \text{ Typ.} = \text{TBD} \times f + \text{TBD}$  (normal operation in high-speed operating mode)

$I_{CC} \text{ Max.} = \text{TBD} \times f + \text{TBD}$  (sleep mode)

Note 4. This does not include operations as BGO (background operations). Whether the peripheral module clocks are supplied or stopped is controlled only by the bit settings in the module stop control registers A to D.

Note 5. When peripheral module clocks are stopped, each clock frequency is set for division by 64, and the frequencies of FCLK, BCLK, PCLKA, PCLKB, PCLKC, PCLKD, and the BCLK pin are the same.

Note 6. This is an increase caused by program/erase operation to the code flash memory or data flash memory during executing the user program.

**Table 5.9 DC Characteristics (4)**

Conditions:  $V_{CC} = 2.7$  to  $5.5$  V,  $V_{CC\_USB} = 2.7$  to  $5.5$  V,  $AVCC0 = AVCC1 = AVCC2 = 3.0$  to  $5.5$  V,  
 $V_{SS} = V_{SS\_USB} = AVSS0 = AVSS1 = AVSS2 = 0$  V,  
 $T_a = T_{opr}$

Item		Symbol	Min.	Typ.	Max.	Unit	Test Conditions
Analog power supply current	Unit 0	During 12-bit A/D conversion (Channel-dedicated sample-and-hold circuits: operation for all channels; PGA: enabled for all channels)	—	2.9	5.1	mA	IAVCC0_AD + SH + PGA
		During 12-bit A/D conversion (Channel-dedicated sample-and-hold circuits: operation for all channels; PGA: disabled for all channels)	—	1.9	2.9		IAVCC0_AD + SH
		During 12-bit A/D conversion (Channel-dedicated sample-and-hold circuits: stopping of all channels; PGA: enabled for all channels)	—	2.0	4.0		IAVCC0_AD + PGA
		During 12-bit A/D conversion (Channel-dedicated sample-and-hold circuits: stopping of all channels; PGA: disabled for all channels)	—	1.0	1.5		IAVCC0_AD
	Unit 1	During 12-bit A/D conversion (Channel-dedicated sample-and-hold circuits: operation for all channels; PGA: enabled for all channels)	—	2.9	5.1	mA	IAVCC1_AD + SH + PGA
		During 12-bit A/D conversion (Channel-dedicated sample-and-hold circuits: operation for all channels; PGA: disabled for all channels)	—	1.9	2.9		IAVCC1_AD + SH
		During 12-bit A/D conversion (Channel-dedicated sample-and-hold circuits: stopping of all channels; PGA: enabled for all channels)	—	2.0	4.0		IAVCC1_AD + PGA
		During 12-bit A/D conversion (Channel-dedicated sample-and-hold circuits: stopping of all channels; PGA: disabled for all channels)	—	1.0	1.5		IAVCC1_AD
	Unit 2	During 12-bit A/D conversion with the temperature sensor operating	—	0.9	1.5	mA	IAVCC2_AD + TEMP
		During 12-bit A/D conversion with the temperature sensor stopped	—	0.9	1.5		IAVCC2_AD
	Comparator (6 channels)		—	0.5	0.6	mA	IAVCC2_CMP
	During 12-bit D/A conversion (2 channels)		—	0.6	0.8		IAVCC2_DA
	Waiting for 12-bit A/D, 12-bit D/A, Comparator C, and temperature sensor conversion (all units)		—	0.1	0.4		IAVCC0_AD + IAVCC1_AD + IAVCC2_AD + IAVCC2_DA
	12-bit A/D, 12-bit D/A, Comparator C, and temperature sensor are in module stop status (all units)		—	0.2	14.8		μA
USB operating current	Low speed	$I_{CCUSBLS}$	—	3.9	TBD	mA	$V_{CC\_USB} = 3.0$ to $3.6$ V
	Full speed	$I_{CCUSBFS}$	—	4.0	TBD		$V_{CC\_USB} = 3.0$ to $3.6$ V
RAM retention voltage		$V_{RAM}$	2.7	—	—	V	

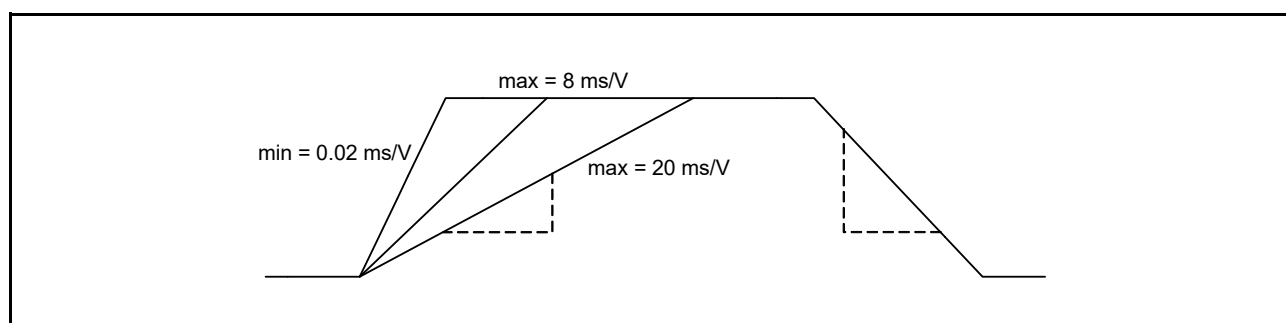
**Table 5.10 DC Characteristics (5)**

Conditions: VCC = 2.7 to 5.5 V, VCC\_USB = 2.7 to 5.5 V, AVCC0 = AVCC1 = AVCC2 = 3.0 to 5.5V,  
 VSS = VSS\_USB = AVSS0 = AVSS1 = AVSS2 = 0 V,  
 $T_a = T_{opr}$

Item	Symbol	Min.	Typ.	Max.	Unit	Test Conditions
VCC ramp rate at power-on	At normal startup	SrVCC	0.02	—	8	ms/V
	Voltage monitoring 0 reset enabled at startup*1, *2		0.02	—	20	
VCC ramp rate at power fluctuation	dt/dVCC	1.0	—	—		When VCC change exceeds VCC ±10%

Note 1. When OFS1.LVDAS = 0.

Note 2. Settings of the OFS1 register are not read in boot mode or user boot mode, so turn on the power supply voltage with a ramp rate at normal startup.



**Figure 5.1 VCC Ramp Rate at Power-On**

**Table 5.11 Permissible Output Currents**

Conditions:  $V_{CC} = 2.7$  to  $5.5$  V,  $V_{CC\_USB} = 2.7$  to  $5.5$  V,  $AV_{CC0} = AV_{CC1} = AV_{CC2} = 3.0$  to  $5.5$  V,  
 $V_{SS} = V_{SS\_USB} = AV_{SS0} = AV_{SS1} = AV_{SS2} = 0$  V,  
 $T_a = T_{opr}$

Item		Symbol	Min.	Typ.	Max.	Unit
Permissible low-level output current (average value per pin)	All output pins (except for RIIC pins, P43, P47, PH1 to PH3, PH5 to PH7, P50 to P55, and P60 to P65)	Normal drive*1	—	—	2.0	mA
		High drive*2	—	—	2.0	
		Large current output*3	—	—	15.0	
	RIIC pins	Standard mode	—	—	3	
		Fast mode	—	—	6	
	P43, P47, PH1 to PH3, PH5 to PH7, P50 to P55, and P60 to P65		—	—	2.0	
Permissible low-level output current (max. value per pin)	All output pins (except for RIIC pins, P43, P47, PH1 to PH3, PH5 to PH7, P50 to P55, and P60 to P65)	Normal drive*1	—	—	4.0	
		High drive*2	—	—	4.0	
		Large current output*3	—	—	15.0	
	RIIC pins	Standard mode	—	—	3	
		Fast mode	—	—	6	
	P43, P47, PH1 to PH3, PH5 to PH7, P50 to P55, and P60 to P65		—	—	4.0	
Permissible low-level output current (total)	Total of all output pins (except for RIIC pins, P43, P47, PH1 to PH3, PH5 to PH7, P50 to P55, and P60 to P65)	$\Sigma I_{OL}$	—	—	110	
	Total of pins P43, P47, PH1 to PH3, PH5 to PH7, P50 to P55, and P60 to P65		—	—	110	
Permissible high-level output current (average value per pin)	All output pins (except for P43, P47, PH1 to PH3, PH5 to PH7, P50 to P55, and P60 to P65)	Normal drive*1	—	—	-2.0	
		High drive*2	—	—	-2.0	
		Large current output*3	—	—	-5.0	
	P43, P47, PH1 to PH3, PH5 to PH7, P50 to P55, and P60 to P65		—	—	-2.0	
Permissible high-level output current (max. value per pin)	All output pins (except for P43, P47, PH1 to PH3, PH5 to PH7, P50 to P55, and P60 to P65)	Normal drive*1	—	—	-4.0	
		High drive*2	—	—	-4.0	
		Large current output*3	—	—	-5.0	
	P43, P47, PH1 to PH3, PH5 to PH7, P50 to P55, and P60 to P65		—	—	-4.0	
Permissible high-level output current (total)	Total of all output pins (except for P43, P47, PH1 to PH3, PH5 to PH7, P50 to P55, and P60 to P65)	$\Sigma I_{OH}$	—	—	-35	
	Total of pins P43, P47, PH1 to PH3, PH5 to PH7, P50 to P55, and P60 to P65		—	—	-35	

Caution: To protect the LSI's reliability, the output current values should not exceed the values in this table.

Note 1. This is the value when normal driving ability is set with a pin for which normal driving ability is selectable.

Note 2. This is the value when high driving ability is set with a pin for which normal driving ability is selectable or the value of the pin to which high driving ability is fixed.

Note 3. This is the value when large current output is set with a pin for which large current output ability is selectable.



**Table 5.12 Heat Resistance Value (Reference)**

Conditions: VCC = 2.7 to 5.5 V, VCC\_USB = 2.7 to 5.5 V, AVCC0 = AVCC1 = AVCC2 = 3.0 to 5.5V,

VSS = VSS\_USB = AVSS0 = AVSS1 = AVSS2 = 0 V,

 $T_a = T_{opr}$ 

Item	Package	Symbol	Min.	Typ.	Max.	Unit	Test Conditions
Heat resistance	144-pin LFQFP (PLQP0144KA-B)	$\theta_{ja}$	—	—	32.4	°C/W	JESD51-2 and JESD51-7 compliant
	112-pin LQFP (PLQP0112JA-B)		—	—	33.8		
	100-pin LFQFP (PLQP0100KB-B)		—	—	35.0		
	80-pin LFQFP (PLQP0080KB-B)		—	—	36.3		
	80-pin LQFP (PLQP0080JA-A)		—	—	35.7		
	64-pin LFQFP (PLQP0064KB-C)		—	—	37.9		
	144-pin LFQFP (PLQP0144KA-B)	$\Psi_{jt}$	—	—	0.6		
	112-pin LQFP (PLQP0112JA-B)		—	—	0.6		
	100-pin LFQFP (PLQP0100KB-B)		—	—	0.8		
	80-pin LFQFP (PLQP0080KB-B)		—	—	0.8		
	80-pin LQFP (PLQP0080JA-A)		—	—	0.8		
	64-pin LFQFP (PLQP0064KB-C)		—	—	0.8		

Note: The values are reference values when the 4-layer board is used. Heat resistance depends on the number of layers or size of the board. For details, refer to the JEDEC standards.

## 5.4 AC Characteristics

**Table 5.13 Operating Frequency**

Conditions: VCC = 2.7 to 5.5 V, VCC\_USB = 2.7 to 5.5 V, AVCC0 = AVCC1 = AVCC2 = 3.0 to 5.5V,  
 VSS = VSS\_USB = AVSS0 = AVSS1 = AVSS2 = 0 V,  
 $T_a = T_{opr}$

Item	Symbol	Min.	Typ.	Max.*3	Unit	Test Conditions
System clock (ICLK)	f	—	—	160	MHz	
Peripheral module clock (PCLKA)		—	—	120		
Peripheral module clock (PCLKB)		—	—	60		
Peripheral module clock (PCLKC)		—	—	160		
Peripheral module clock (PCLKD)		8*1	—	60		AVCC0 = AVCC1 = AVCC2 ≥ 4.5 V
		8*1	—	40		AVCC0 = AVCC1 = AVCC2 < 4.5 V
Flash-IF clock (FCLK)		4*2	—	60		
External bus clock (BCLK)		—	—	60		
BCLK pin output		—	—	40		VCC ≥ 4.5 V, High-drive output is selected in the driving ability control register.
		—	—	32		
USB clock (UCLK)		—	48	—		

Note 1. This restriction is only applied when a 12-bit A/D converter is to be used.

Note 2. This restriction is only applied when flash memory is to be programmed or erased.

Note 3. The maximum frequencies of each clock based on the frequency of ICLK are listed below.

ICLK = 160 MHz, PCLKA = 80 MHz, PCLKB = 40 MHz, PCLKC = 160 MHz, PCLKD = 40 MHz, FCLK = 40 MHz, BCLK = 40 MHz, BCLK pin output = 40 MHz

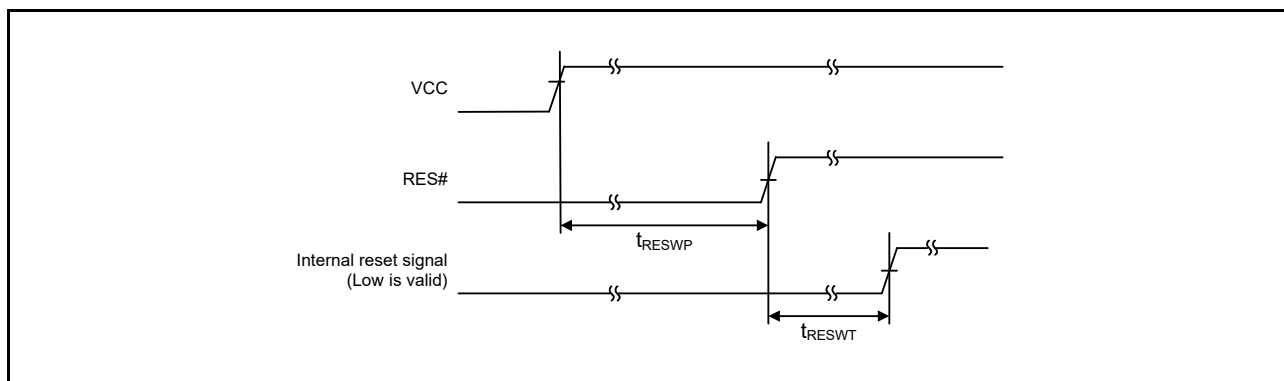
ICLK = 120 MHz, PCLKA = 120 MHz, PCLKB = 60 MHz, PCLKC = 120 MHz, PCLKD = 60 MHz, FCLK = 60 MHz,  
 BCLK = 60 MHz, BCLK pin output = 30 MHz

### 5.4.1 Reset Timing

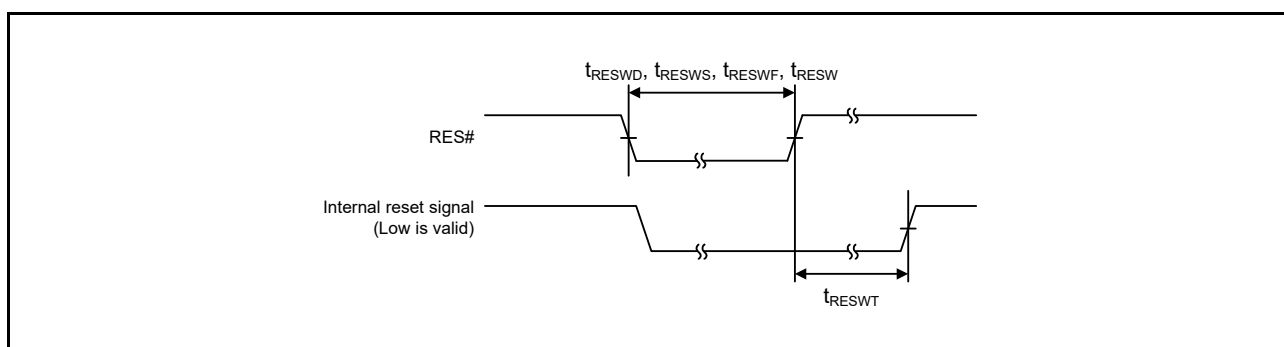
**Table 5.14 Reset Timing**

Conditions: VCC = 2.7 to 5.5 V, VCC\_USB = 2.7 to 5.5 V, AVCC0 = AVCC1 = AVCC2 = 3.0 to 5.5V,  
 VSS = VSS\_USB = AVSS0 = AVSS1 = AVSS2 = 0 V,  
 T<sub>a</sub> = T<sub>opr</sub>

Item		Symbol	Min.	Typ.	Max.	Unit	Test Conditions
RES# pulse width	Power-on	t <sub>RESWP</sub>	2.0	—	—	ms	Figure 5.2
	Deep software standby mode	t <sub>RESWD</sub>	0.6	—	—		Figure 5.3
	Software standby mode	t <sub>RESWS</sub>	0.3	—	—		
	Programming or erasure of the code flash memory, or programming, erasure or blank checking of the data flash memory	t <sub>RESWF</sub>	200	—	—	μs	
	Other than above	t <sub>RESW</sub>	200	—	—		
Waiting time after release from the RES# pin reset		t <sub>RESWT</sub>	62	—	63	t <sub>Lcyc</sub>	Figure 5.2
Internal reset time (independent watchdog timer reset, watchdog timer reset, software reset)		t <sub>RESW2</sub>	108	—	116		



**Figure 5.2 Reset Input Timing at Power-On**



**Figure 5.3 Reset Input Timing**

## 5.4.2 Clock Timing

**Table 5.15 BCLK Pin Output Clock Timing (1)**

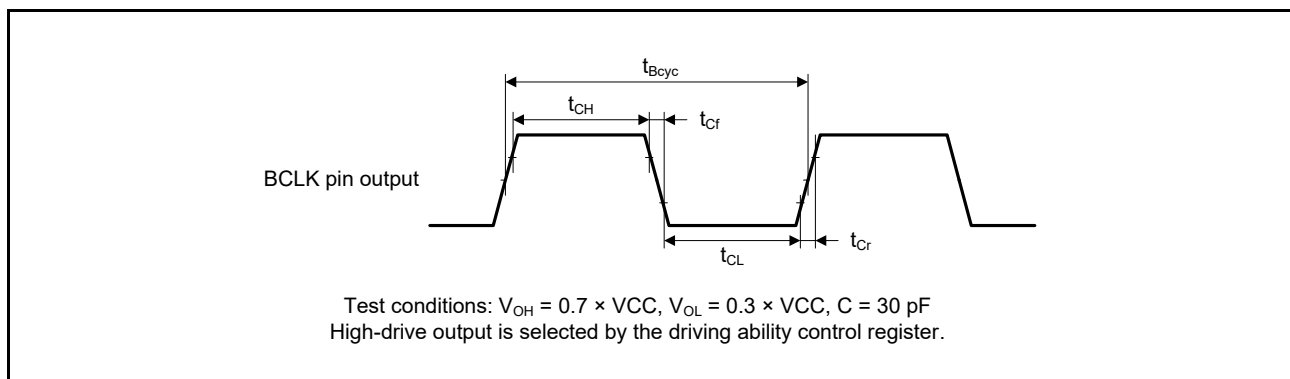
Conditions:  $4.5\text{ V} \leq V_{CC} \leq 5.5\text{ V}$ ,  $V_{CC\_USB} = 2.7\text{ to }5.5\text{ V}$ ,  $AV_{CC0} = AV_{CC1} = AV_{CC2} = 3.0\text{ to }5.5\text{ V}$ ,  
 $V_{SS} = V_{SS\_USB} = AV_{SS0} = AV_{SS1} = AV_{SS2} = 0\text{ V}$ ,  
 $T_a = T_{opr}$

Item	Symbol	Min.	Typ.	Max.	Unit	Test Conditions
BCLK pin output cycle time	$t_{Bcyc}$	25	—	—	ns	Figure 5.4
BCLK pin output high pulse width	$t_{CH}$	7.5	—	—		
BCLK pin output low pulse width	$t_{CL}$	7.5	—	—		
BCLK pin output rising time	$t_{Cr}$	—	—	5		
BCLK pin output falling time	$t_{Cf}$	—	—	5		

**Table 5.16 BCLK Pin Output Clock Timing (2)**

Conditions:  $2.7\text{ V} \leq V_{CC} < 4.5\text{ V}$ ,  $V_{CC\_USB} = 2.7\text{ to }5.5\text{ V}$ ,  $AV_{CC0} = AV_{CC1} = AV_{CC2} = 3.0\text{ to }5.5\text{ V}$ ,  
 $V_{SS} = V_{SS\_USB} = AV_{SS0} = AV_{SS1} = AV_{SS2} = 0\text{ V}$ ,  
 $T_a = T_{opr}$

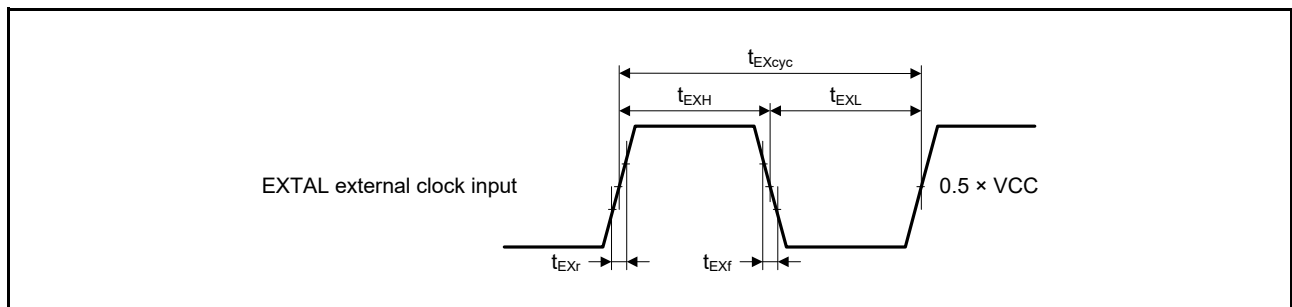
Item	Symbol	Min.	Typ.	Max.	Unit	Test Conditions
BCLK pin output cycle time	$t_{Bcyc}$	31.25	—	—	ns	Figure 5.4
BCLK pin output high pulse width	$t_{CH}$	10.625	—	—		
BCLK pin output low pulse width	$t_{CL}$	10.625	—	—		
BCLK pin output rising time	$t_{Cr}$	—	—	5		
BCLK pin output falling time	$t_{Cf}$	—	—	5		

**Figure 5.4 BCLK Pin Output Timing**

**Table 5.17 EXTAL Clock Timing**

Conditions:  $V_{CC} = 2.7$  to  $5.5$  V,  $V_{CC\_USB} = 2.7$  to  $5.5$  V,  $AV_{CC0} = AV_{CC1} = AV_{CC2} = 3.0$  to  $5.5$  V,  
 $V_{SS} = V_{SS\_USB} = AV_{SS0} = AV_{SS1} = AV_{SS2} = 0$  V,  
 $T_a = T_{opr}$

Item	Symbol	Min.	Typ.	Max.	Unit	Test Conditions
EXTAL external clock input cycle time	$t_{EXcyc}$	41.66	—	—	ns	Figure 5.5
EXTAL external clock input frequency	$f_{EXMAIN}$	—	—	24	MHz	
EXTAL external clock input high pulse width	$t_{EXH}$	15.83	—	—	ns	
EXTAL external clock input low pulse width	$t_{EXL}$	15.83	—	—		
EXTAL external clock rising time	$t_{EXr}$	—	—	5		
EXTAL external clock falling time	$t_{EXf}$	—	—	5		



**Figure 5.5 EXTAL External Clock Input Timing**

**Table 5.18 Main Clock Timing**

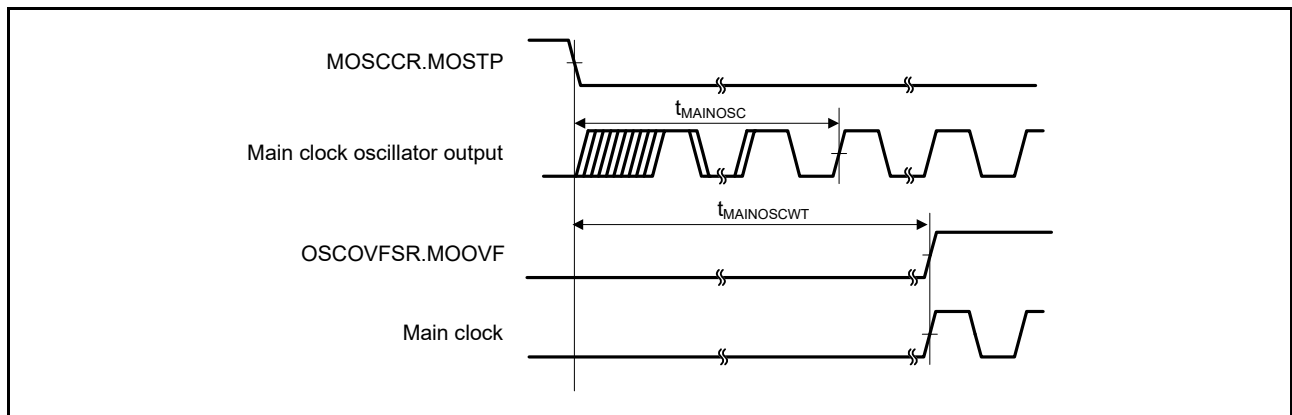
Conditions:  $V_{CC} = 2.7$  to  $5.5$  V,  $V_{CC\_USB} = 2.7$  to  $5.5$  V,  $AV_{CC0} = AV_{CC1} = AV_{CC2} = 3.0$  to  $5.5$  V,  
 $V_{SS} = V_{SS\_USB} = AV_{SS0} = AV_{SS1} = AV_{SS2} = 0$  V,  
 $T_a = T_{opr}$

Item	Symbol	Min.	Typ.	Max.	Unit	Test Conditions
Main clock oscillation frequency	$f_{MAIN}$	8	—	24	MHz	Figure 5.6
Main clock oscillator stabilization time (crystal)	$t_{MAINOSC}$	—	—	—*1	ms	
Main clock oscillator stabilization wait time (crystal)	$t_{MAINOSCWT}$	—	—	—*2		

Note 1. When using a main clock, ask the manufacturer of the oscillator to evaluate its oscillation. Refer to the results of evaluation provided by the manufacturer for the oscillation stabilization time.

Note 2. The number of cycles selected by the value of the MOSCWTCR.MSTS[7:0] bits determines the main clock oscillation stabilization wait time in accord with the formula below.

$$t_{MAINOSCWT} = [(MSTS[7:0] \text{ bits} \times 32) + 7] / f_{LOCO}$$

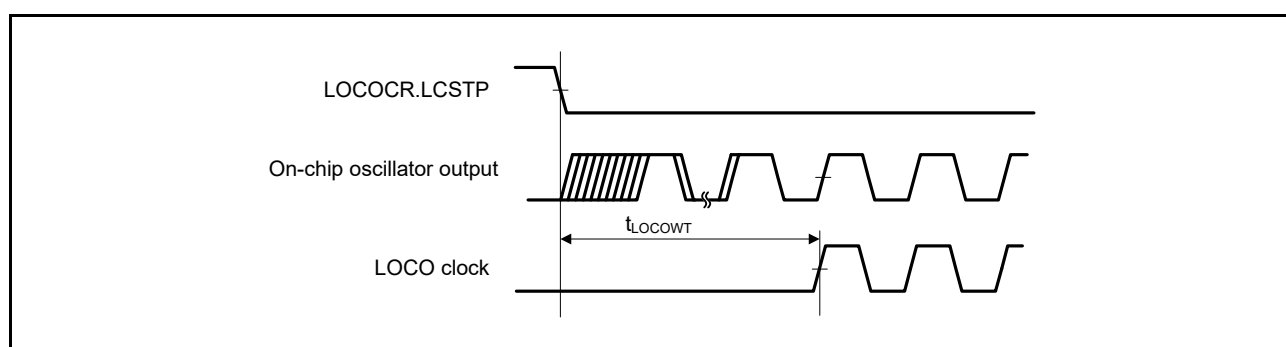


**Figure 5.6 Main Clock Oscillation Start Timing**

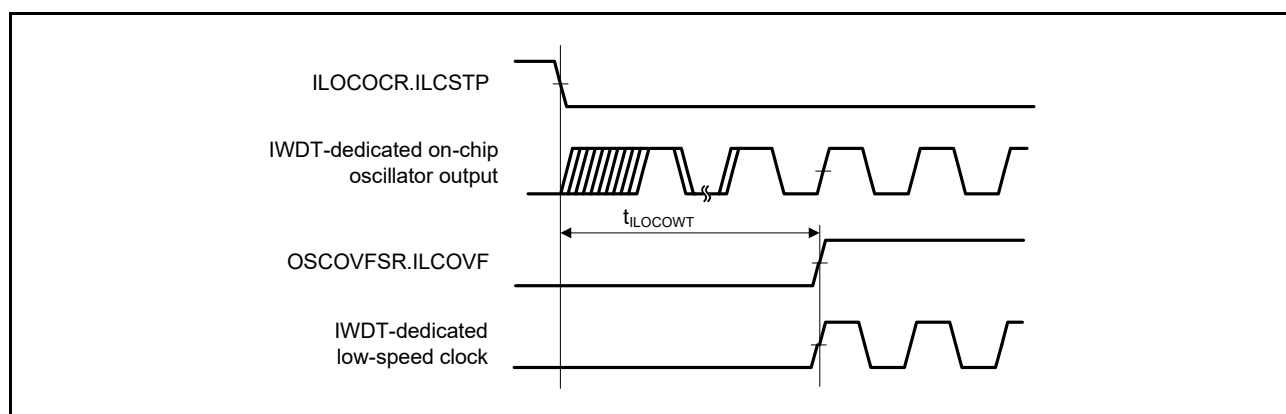
**Table 5.19 LOCO and IWDT-Dedicated Low-Speed Clock Timing**

Conditions:  $V_{CC} = 2.7$  to  $5.5$  V,  $V_{CC\_USB} = 2.7$  to  $5.5$  V,  $AVCC0 = AVCC1 = AVCC2 = 3.0$  to  $5.5$  V,  
 $V_{SS} = V_{SS\_USB} = AVSS0 = AVSS1 = AVSS2 = 0$  V,  
 $T_a = T_{opr}$

Item	Symbol	Min.	Typ.	Max.	Unit	Test Conditions
LOCO clock cycle time	$t_{Lcyc}$	3.78	4.16	4.63	$\mu s$	
LOCO clock oscillation frequency	$f_{LOCO}$	216	240	264	kHz	
LOCO clock oscillation stabilization time	$t_{LOCOWT}$	—	—	44	$\mu s$	Figure 5.7
IWDT-dedicated low-speed clock cycle time	$t_{ILcyc}$	7.57	8.33	9.26		
IWDT-dedicated low-speed clock oscillation frequency	$f_{ILOCO}$	108	120	132	kHz	
IWDT-dedicated low-speed clock oscillation stabilization wait time	$t_{ILOCOWT}$	—	142	190	$\mu s$	Figure 5.8



**Figure 5.7 LOCO Clock Oscillation Start Timing**

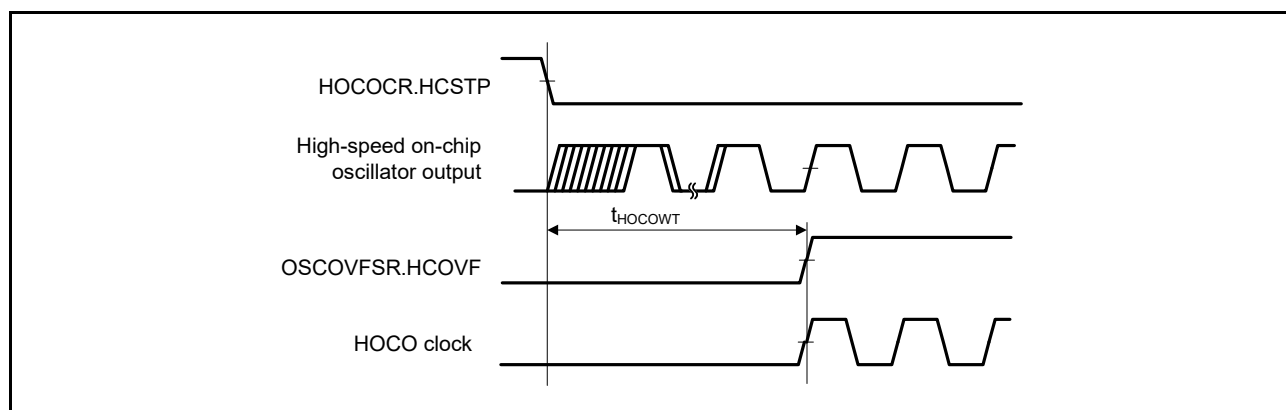


**Figure 5.8 IWDT-dedicated Low-Speed Clock Oscillation Start Timing**

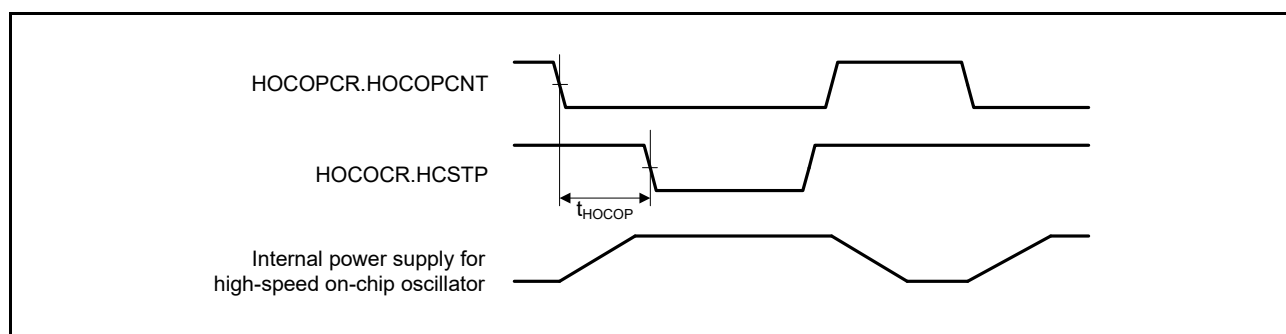
**Table 5.20 HOCO Clock Timing**

Conditions: VCC = 2.7 to 5.5 V, VCC\_USB = 2.7 to 5.5 V, AVCC0 = AVCC1 = AVCC2 = 3.0 to 5.5V,  
 VSS = VSS\_USB = AVSS0 = AVSS1 = AVSS2 = 0 V,  
 $T_a = T_{opr}$

Item	Symbol	Min.	Typ.	Max.	Unit	Test Conditions
HOCO clock oscillation frequency	$f_{HOCO}$	15.61	16	16.39	MHz	$-20^{\circ}\text{C} \leq T_a \leq 105^{\circ}\text{C}$
		17.56	18	18.44		
		19.52	20	20.48		
		15.52	16	16.48		$-40^{\circ}\text{C} \leq T_a \leq -20^{\circ}\text{C}$
		17.46	18	18.54		
		19.40	20	20.60		
HOCO clock oscillation stabilization wait time	$t_{HOCOWT}$	—	105	149	$\mu\text{s}$	Figure 5.9
HOCO clock power supply stabilization time	$t_{HOCOP}$	—	—	150		Figure 5.10



**Figure 5.9 HOCO Clock Oscillation Start Timing (Oscillation is Started by Setting the HOCO CR.HCSTP Bit)**

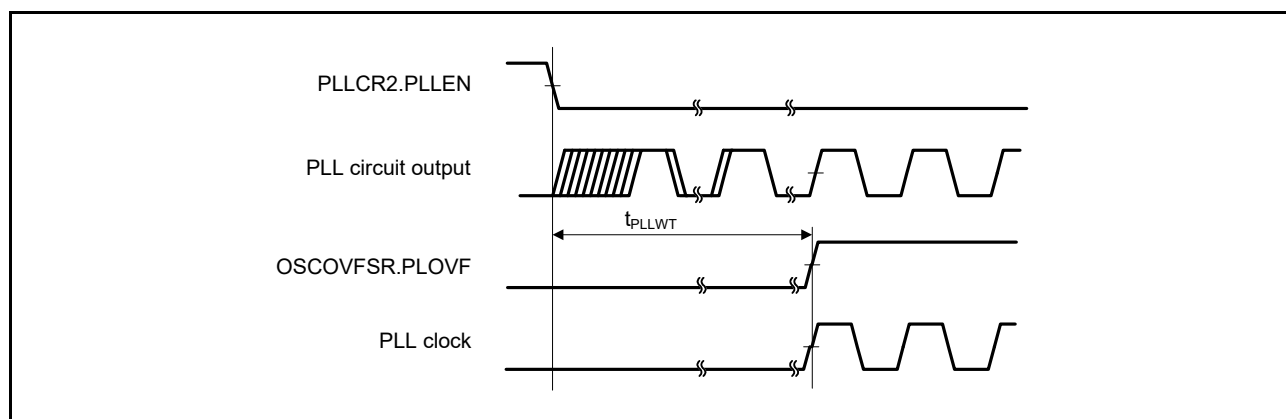


**Figure 5.10 High-Speed On-Chip Oscillator Power Supply Control Timing**

**Table 5.21 PLL Clock Timing**

Conditions:  $VCC = 2.7$  to  $5.5$  V,  $VCC\_USB = 2.7$  to  $5.5$  V,  $AVCC0 = AVCC1 = AVCC2 = 3.0$  to  $5.5$  V,  
 $VSS = VSS\_USB = AVSS0 = AVSS1 = AVSS2 = 0$  V,  
 $T_a = T_{opr}$

Item	Symbol	Min.	Typ.	Max.	Unit	Test Conditions
PLL clock oscillation frequency	$f_{PLL}$	120	—	240	MHz	
PLL clock oscillation stabilization wait time	$t_{PLLWT}$	—	259	320	$\mu$ s	Figure 5.11



**Figure 5.11 PLL Clock Oscillation Start Timing**



## 5.4.3 Timing of Recovery from Low Power Consumption Modes

**Table 5.22 Timing of Recovery from Low Power Consumption Modes (1)**

Conditions: VCC = 2.7 to 5.5 V, VCC\_USB = 2.7 to 5.5 V, AVCC0 = AVCC1 = AVCC2 = 3.0 to 5.5V,  
VSS = VSS\_USB = AVSS0 = AVSS1 = AVSS2 = 0 V,  
T<sub>a</sub> = T<sub>opr</sub>

Item			Symbol	Min.	Typ.	Max.		Unit	Test Conditions
						t <sub>SBYOSCWT</sub> *2	t <sub>SBYSEQ</sub> *3		
Recovery time after cancellation of software standby mode*1	Crystal resonator connected to main clock oscillator	Main clock oscillator operating	t <sub>SBYMC</sub>	—	—	$\{(MSTS[7:0] \text{ bits} \times 32) + 76\} / 0.216$	$100 + 7 / f_{I\text{CLK}} + 2n / f_{\text{MAIN}}$	μs	Figure 5.12
		Main clock oscillator and PLL circuit operating	t <sub>SBYPC</sub>			$\{(MSTS[7:0] \text{ bits} \times 32) + 138\} / 0.216$	$100 + 7 / f_{I\text{CLK}} + 2n / f_{\text{PLL}}$		
	External clock input to main clock oscillator	Main clock oscillator operating	t <sub>SBYEX</sub>			352	$100 + 7 / f_{I\text{CLK}} + 2n / f_{\text{EXMAIN}}$		
		Main clock oscillator and PLL circuit operating	t <sub>SBYPE</sub>			639	$100 + 7 / f_{I\text{CLK}} + 2n / f_{\text{PLL}}$		
	High-speed on-chip oscillator operating	High-speed on-chip oscillator operating	t <sub>SBYHO</sub>			454	$100 + 7 / f_{I\text{CLK}} + 2n / f_{\text{HOCO}}$		
		High-speed on-chip oscillator operating and PLL circuit operating	t <sub>SBYPH</sub>			741	$100 + 7 / f_{I\text{CLK}} + 2n / f_{\text{PLL}}$		
	Low-speed on-chip oscillator operating*4	t <sub>SBYLO</sub>				338	$100 + 7 / f_{I\text{CLK}} + 2n / f_{\text{LOCO}}$		

Note 1. The time for return after release from software standby is determined by the value obtained by adding the oscillation stabilization waiting time (t<sub>SBYOSCWT</sub>) and the time required for operations by the software standby release sequencer (t<sub>SBYSEQ</sub>).

Note 2. When several oscillators were running before the transition to software standby, the greatest value of the oscillation stabilization waiting time t<sub>SBYOSCWT</sub> is selected.

Note 3. For n, the greatest value is selected from among the internal clock division settings.

Note 4. This condition applies when f<sub>ICLK</sub> : f<sub>FCLK</sub> = 1 : 1, 2 : 1, or 4 : 1.

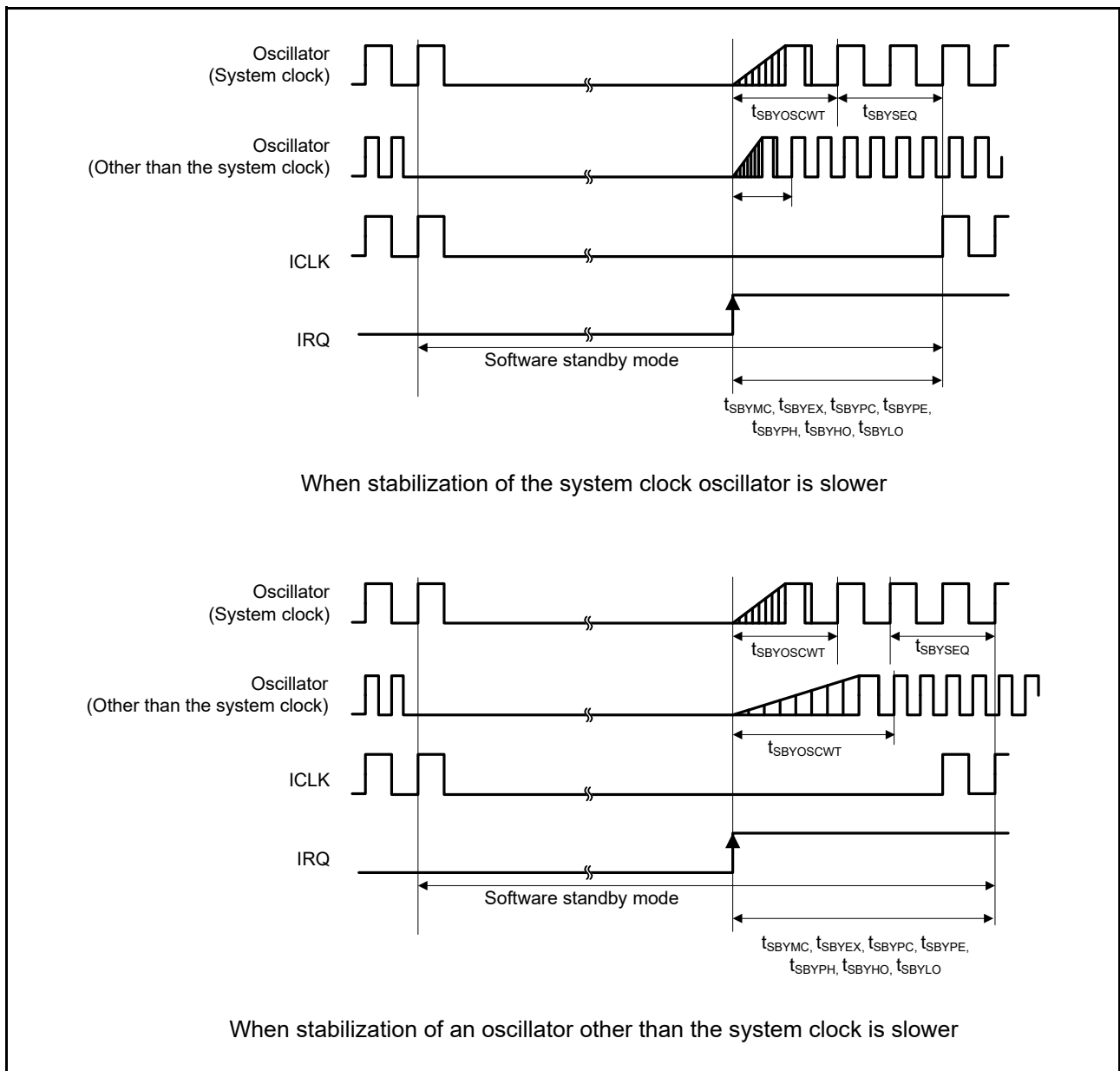
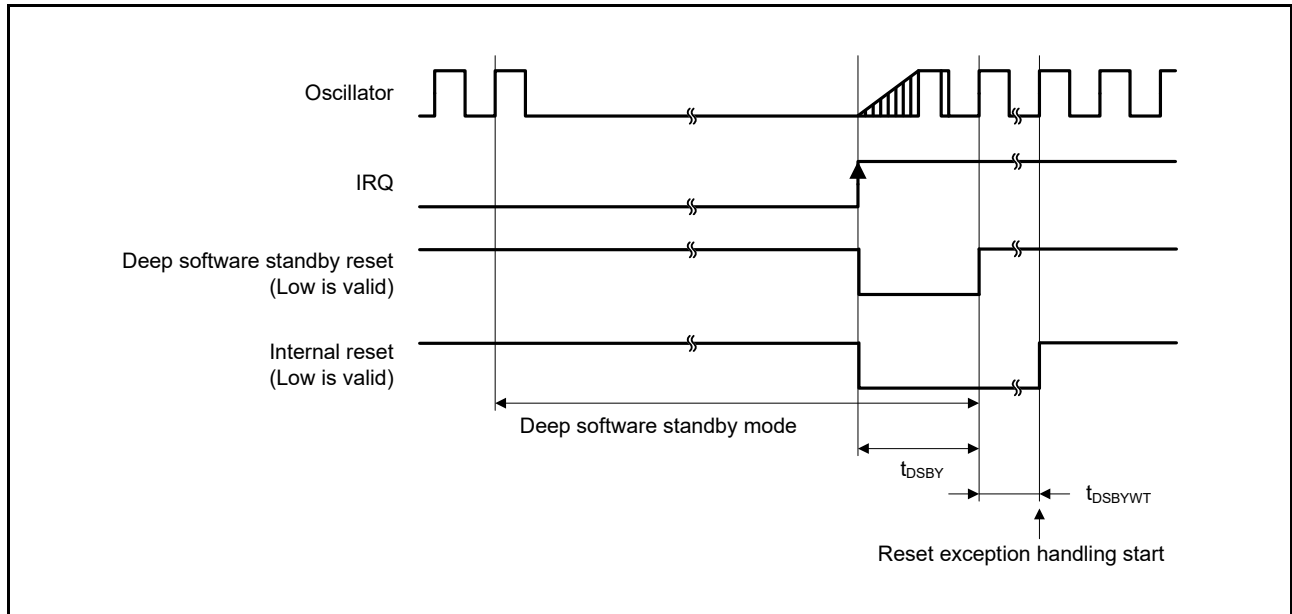


Figure 5.12 Software Standby Mode Cancellation Timing

**Table 5.23 Timing of Recovery from Low Power Consumption Modes (2)**

Conditions:  $V_{CC} = 2.7$  to  $5.5$  V,  $V_{CC\_USB} = 2.7$  to  $5.5$  V,  $AV_{CC0} = AV_{CC1} = AV_{CC2} = 3.0$  to  $5.5$  V,  
 $V_{SS} = V_{SS\_USB} = AV_{SS0} = AV_{SS1} = AV_{SS2} = 0$  V,  
 $T_a = T_{opr}$

Item	Symbol	Min.	Typ.	Max.	Unit	Test Conditions
Recovery time after cancellation of deep software standby mode	$t_{DSBY}$	—	—	0.9	ms	Figure 5.13
Wait time after cancellation of deep software standby mode	$t_{DSBYWT}$	31	—	32	$t_{Lcyc}$	



**Figure 5.13 Deep Software Standby Mode Cancellation Timing**

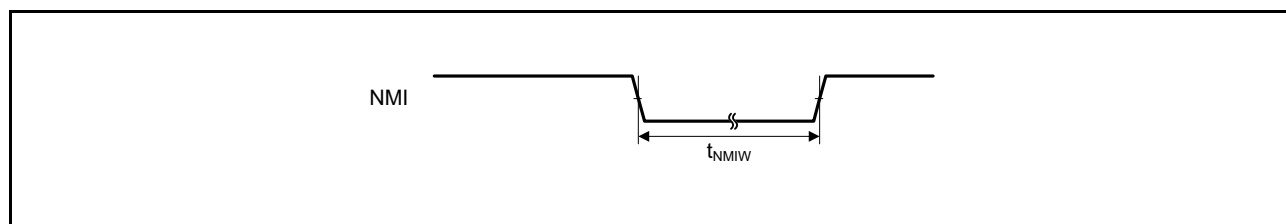
### 5.4.4 Control Signal Timing

**Table 5.24 Control Signal Timing**

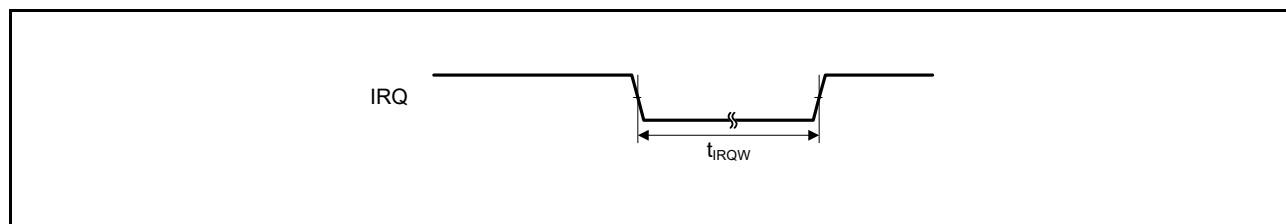
Conditions: VCC = 2.7 to 5.5 V, VCC\_USB = 2.7 to 5.5 V, AVCC0 = AVCC1 = AVCC2 = 3.0 to 5.5V,  
 VSS = VSS\_USB = AVSS0 = AVSS1 = AVSS2 = 0 V,  
 T<sub>a</sub> = T<sub>opr</sub>

Item	Symbol	Min.*1	Typ.	Max.	Unit	Test Conditions*1
NMI pulse width	t <sub>NMIW</sub>	200	—	—	ns	2 × t <sub>PBcyc</sub> ≤ 200 ns, Figure 5.14
		2 × t <sub>PBcyc</sub>	—	—		2 × t <sub>PBcyc</sub> > 200 ns, Figure 5.14
IRQ pulse width	t <sub>IRQW</sub>	200	—	—	ns	2 × t <sub>PBcyc</sub> ≤ 200 ns, Figure 5.15
		2 × t <sub>PBcyc</sub>	—	—		2 × t <sub>PBcyc</sub> > 200 ns, Figure 5.15

Note 1. t<sub>PBcyc</sub>: PCLKB cycle



**Figure 5.14 NMI Interrupt Input Timing**



**Figure 5.15 IRQ Interrupt Input Timing**

## 5.4.5 Bus Timing

**Table 5.25 Bus Timing (1)**

Conditions:  $4.5\text{ V} \leq V_{CC} \leq 5.5\text{ V}$ ,  $V_{CC\_USB} = 2.7\text{ to }5.5\text{ V}$ ,  $AVCC0 = AVCC1 = AVCC2 = 3.0\text{ to }5.5\text{ V}$ ,  
 $V_{SS} = V_{SS\_USB} = AVSS0 = AVSS1 = AVSS2 = 0\text{ V}$ ,  $T_a = T_{opr}$ ,  
 $ICLK = 8\text{ to }160\text{ MHz}$ ,  $PCLKA = 8\text{ to }120\text{ MHz}$ ,  $PCLKB = 8\text{ to }60\text{ MHz}$ ,  $PCLKC = 8\text{ to }160\text{ MHz}$ ,  $BCLK = 8\text{ to }60\text{ MHz}$ ,  
 Output load conditions:  $V_{OH} = 0.5 \times V_{CC}$ ,  $V_{OL} = 0.5 \times V_{CC}$ ,  $C = 30\text{ pF}$ ,  
 High-drive output is selected by the driving ability control register (other than for P53 to P55 and P60 to P65).

Item	Symbol	Min.	Typ.	Max.	Unit	Test Conditions
Address delay time	$t_{AD}$	—	—	12.5	ns	Figure 5.16 to Figure 5.21
Byte control delay time	$t_{BCD}$	—	—	12.5		
CS# delay time	$t_{CSD}$	—	—	12.5		
ALE delay time	$t_{ALED}$	—	—	12.5		
RD# delay time	$t_{RSD}$	—	—	12.5		
Read data setup time	$t_{RDS}$	12.5	—	—		
Read data hold time	$t_{RDH}$	0	—	—		
WR# delay time	$t_{WRD}$	—	—	12.5		
Write data delay time	$t_{WDD}$	—	—	12.5		
Write data hold time	$t_{WDH}$	0	—	—		
WAIT# setup time	$t_{WTS}$	12.5	—	—		
WAIT# hold time	$t_{WTH}$	0	—	—		

**Table 5.26 Bus Timing (2)**

Conditions:  $2.7\text{ V} \leq V_{CC} < 4.5\text{ V}$ ,  $V_{CC\_USB} = 2.7\text{ to }5.5\text{ V}$ ,  $AVCC0 = AVCC1 = AVCC2 = 3.0\text{ to }5.5\text{ V}$ ,  
 $V_{SS} = V_{SS\_USB} = AVSS0 = AVSS1 = AVSS2 = 0\text{ V}$ ,  $T_a = T_{opr}$ ,  
 $ICLK = 8\text{ to }160\text{ MHz}$ ,  $PCLKA = 8\text{ to }120\text{ MHz}$ ,  $PCLKB = 8\text{ to }60\text{ MHz}$ ,  $PCLKC = 8\text{ to }160\text{ MHz}$ ,  $BCLK = 8\text{ to }60\text{ MHz}$ ,  
 Output load conditions:  $V_{OH} = 0.5 \times V_{CC}$ ,  $V_{OL} = 0.5 \times V_{CC}$ ,  $C = 30\text{ pF}$ ,  
 High-drive output is selected by the driving ability control register (other than for P53 to P55 and P60 to P65).

Item	Symbol	Min.	Typ.	Max.	Unit	Test Conditions
Address delay time	$t_{AD}$	—	—	25	ns	Figure 5.16 to Figure 5.21
Byte control delay time	$t_{BCD}$	—	—	25		
CS# delay time	$t_{CSD}$	—	—	25		
ALE delay time	$t_{ALED}$	—	—	25		
RD# delay time	$t_{RSD}$	—	—	25		
Read data setup time	$t_{RDS}$	25	—	—		
Read data hold time	$t_{RDH}$	0	—	—		
WR# delay time	$t_{WRD}$	—	—	25		
Write data delay time	$t_{WDD}$	—	—	25		
Write data hold time	$t_{WDH}$	0	—	—		
WAIT# setup time	$t_{WTS}$	25	—	—		
WAIT# hold time	$t_{WTH}$	0	—	—		

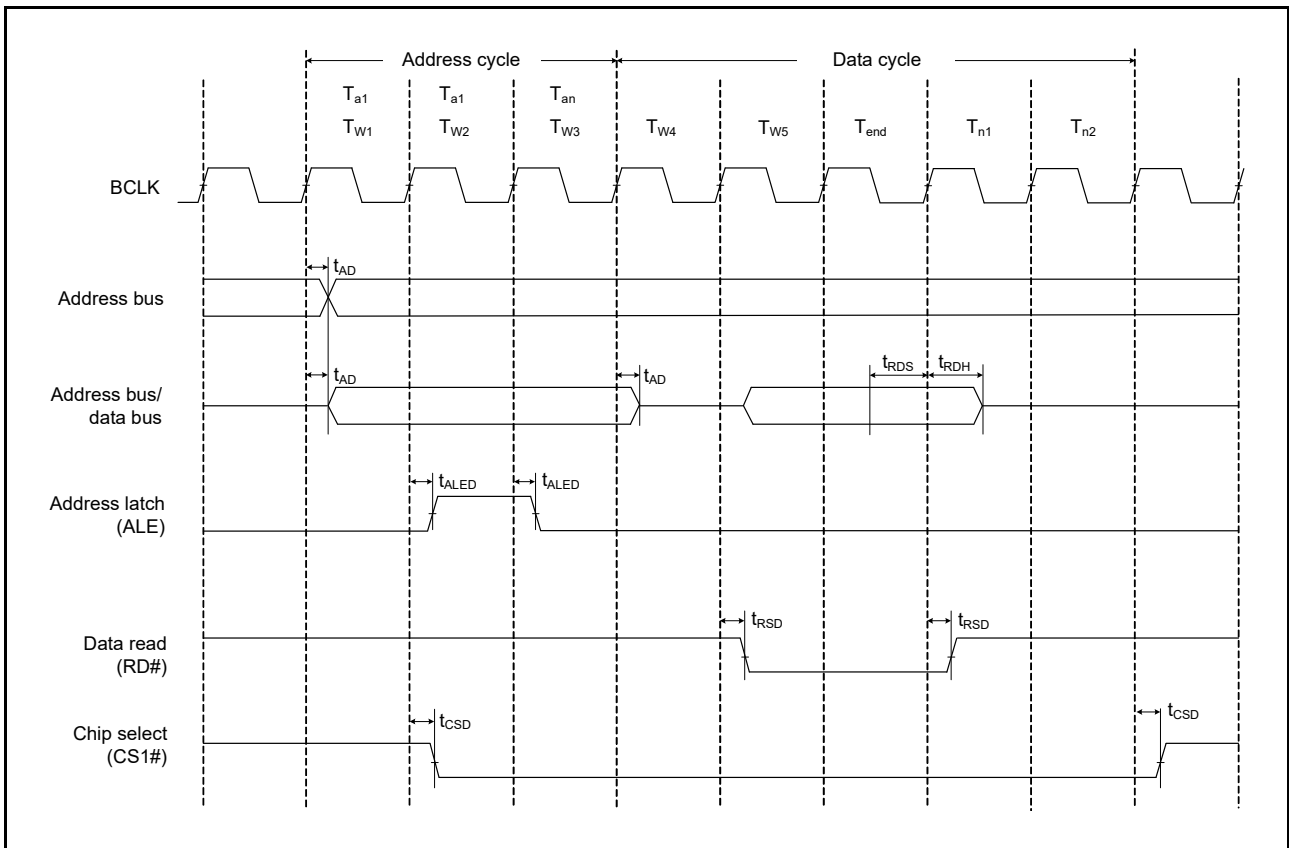


Figure 5.16 Address/Data Multiplexed Bus Read Access Timing

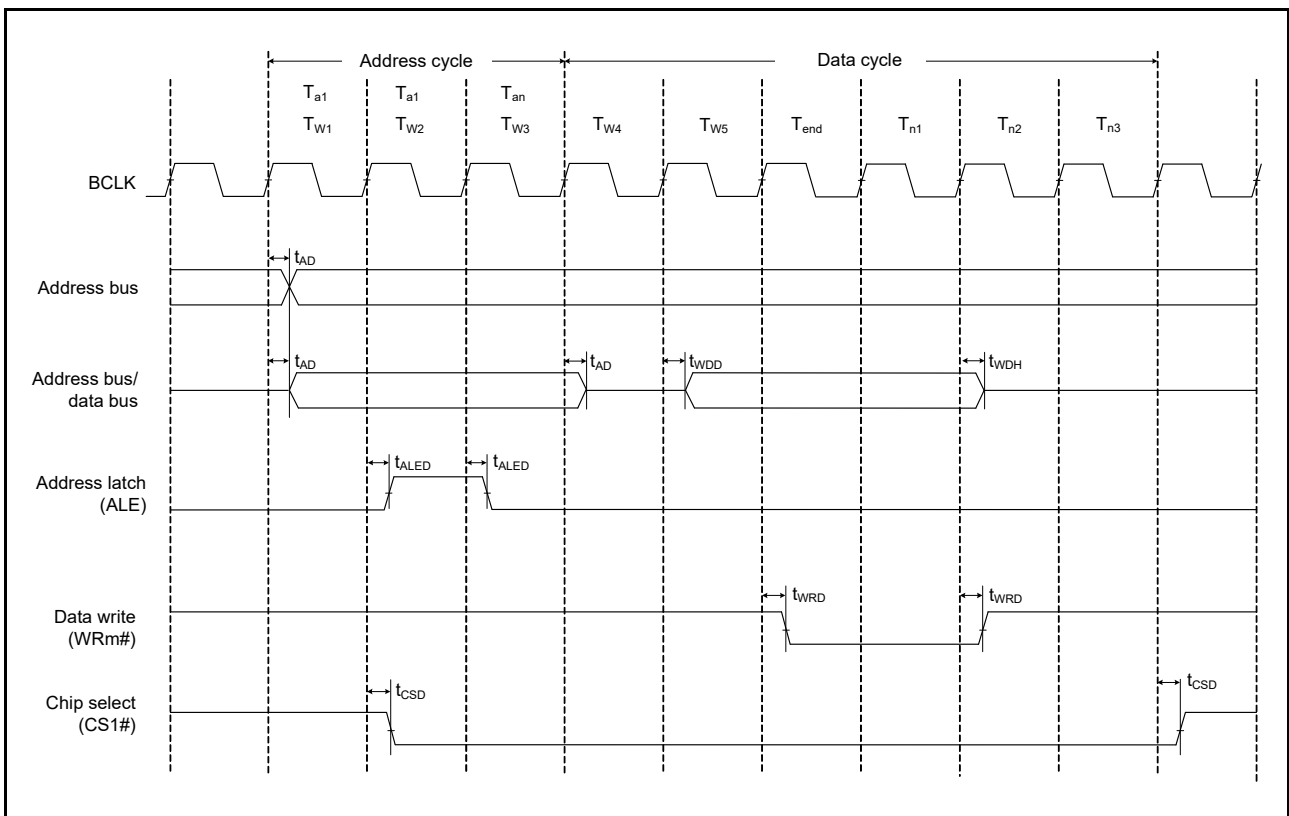


Figure 5.17 Address/Data Multiplexed Bus Write Access Timing

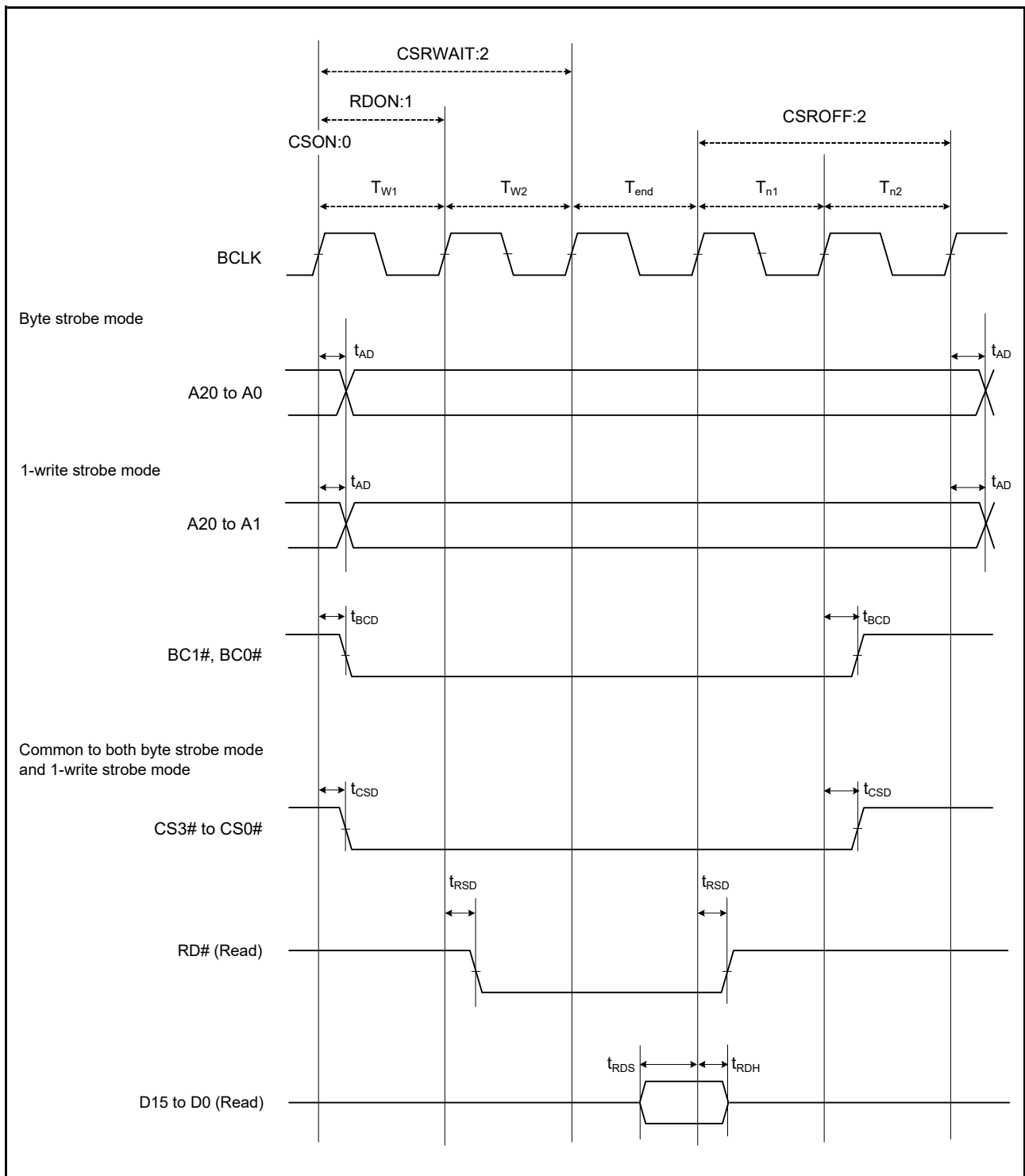


Figure 5.18 External Bus Timing/Normal Read Cycle (Bus Clock Synchronized)

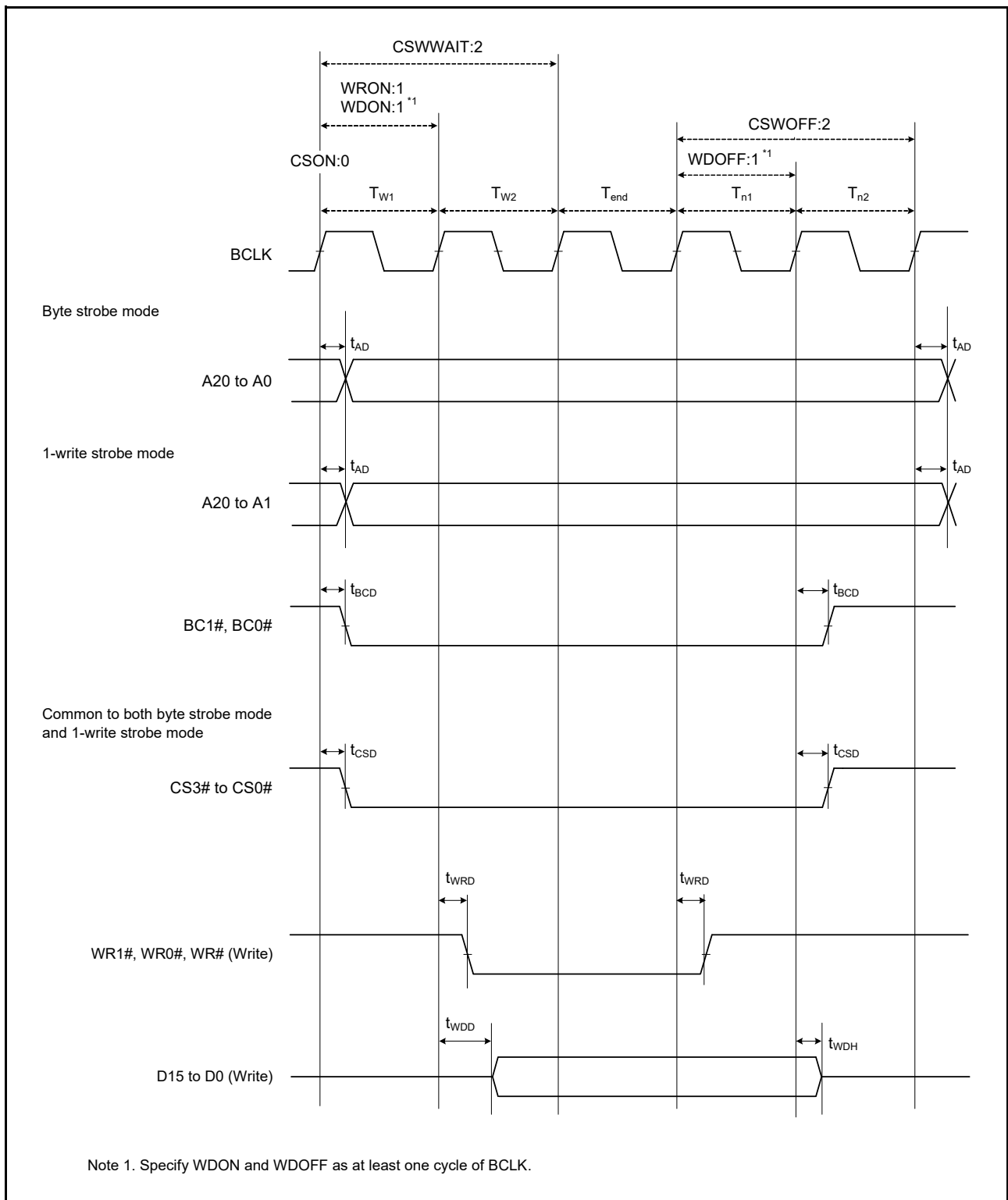


Figure 5.19 External Bus Timing/Normal Write Cycle (Bus Clock Synchronized)



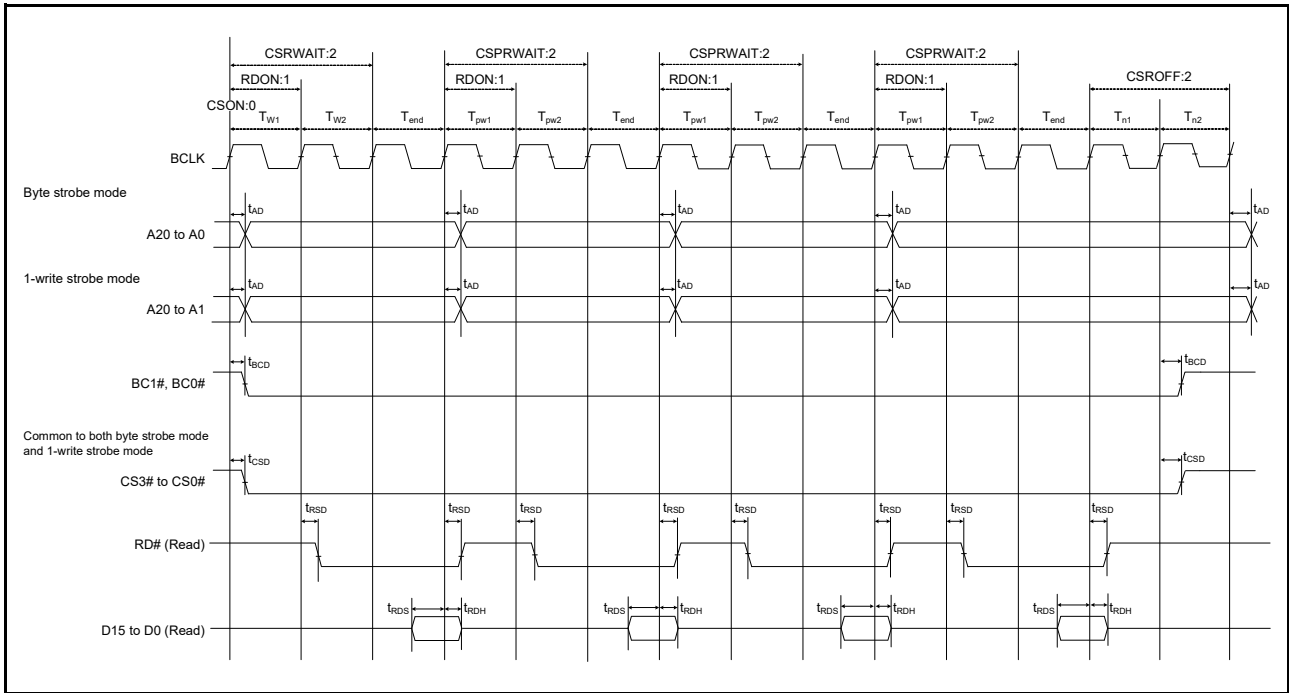


Figure 5.20 External Bus Timing/Page Read Cycle (Bus Clock Synchronized)

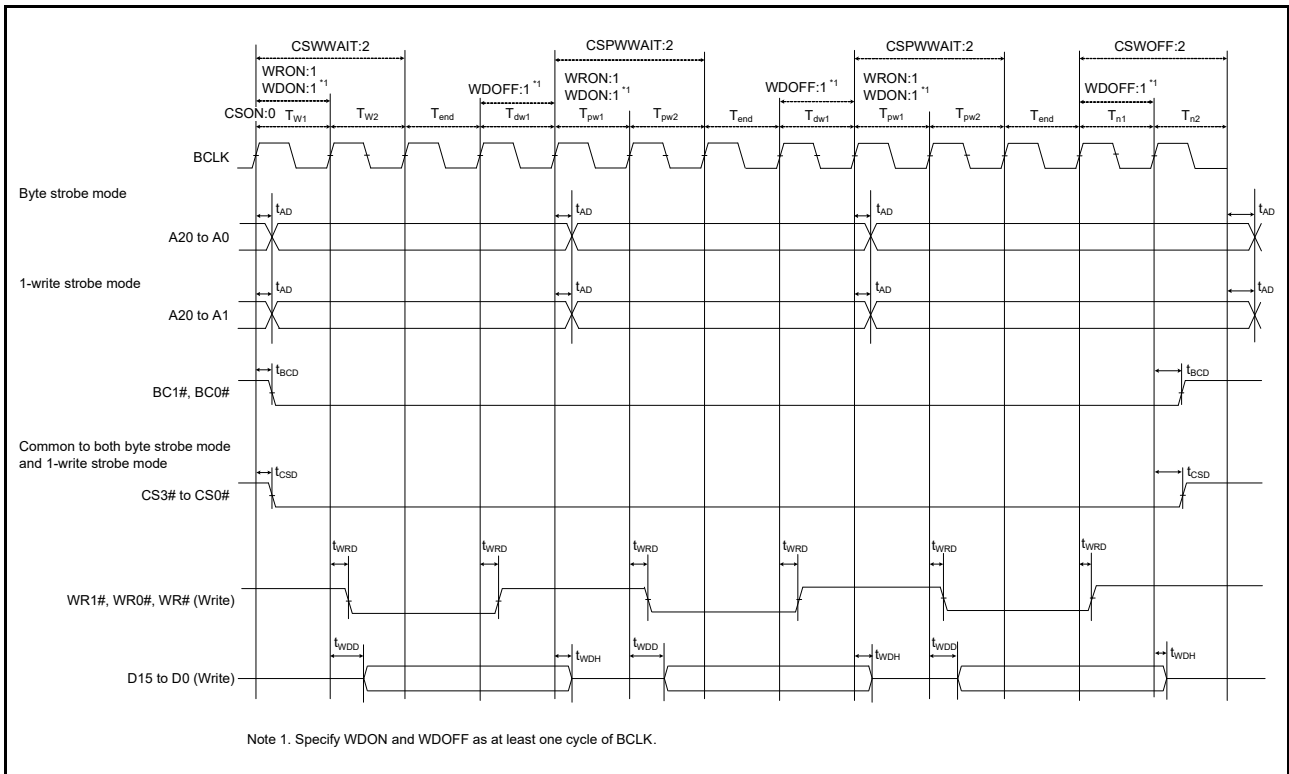


Figure 5.21 External Bus Timing/Page Write Cycle (Bus Clock Synchronized)

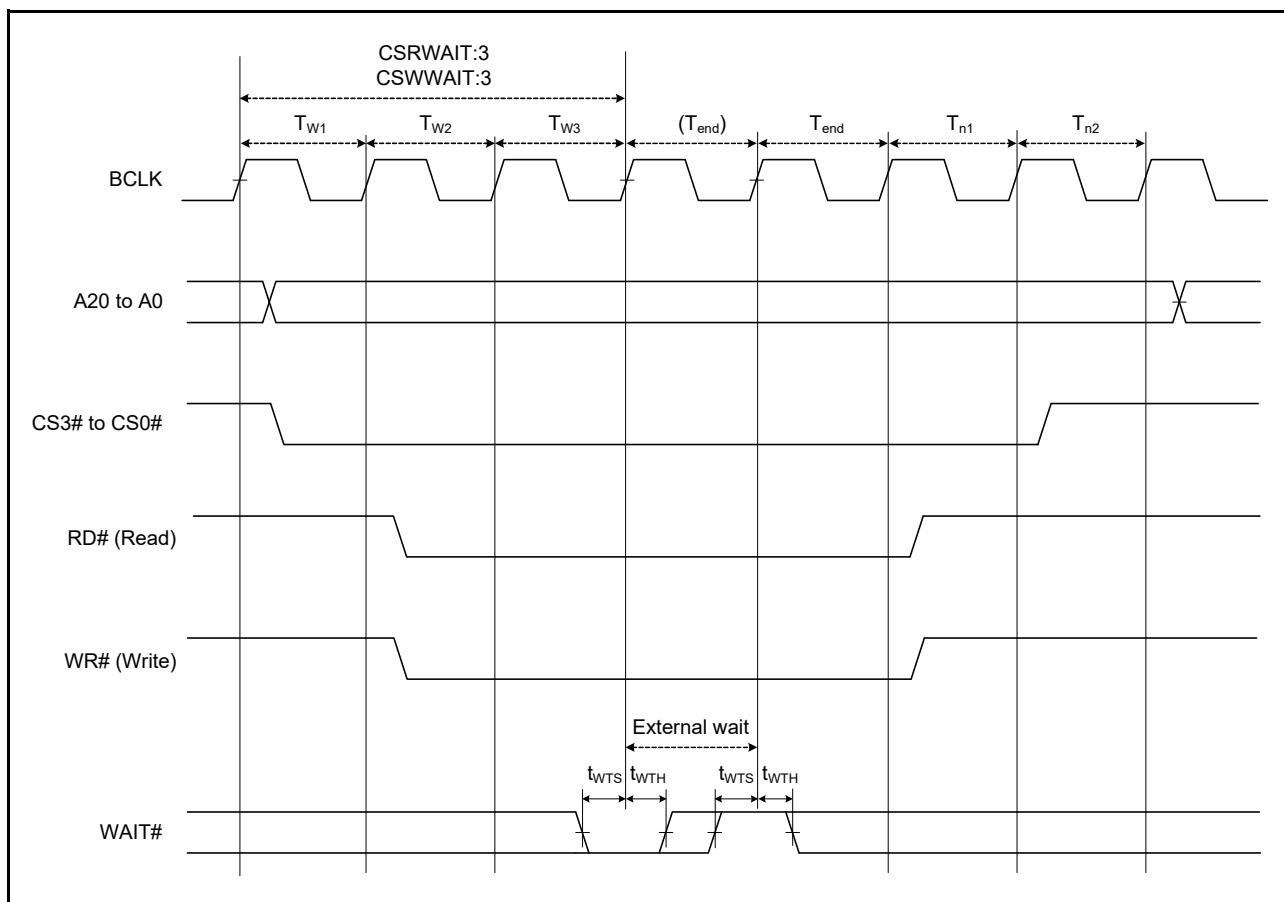


Figure 5.22 External Bus Timing/External Wait Control

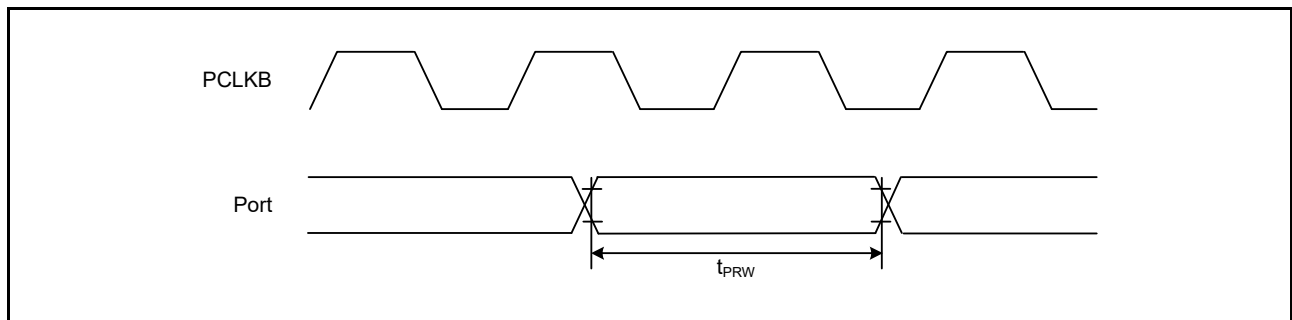
### 5.4.6 Timing of On-Chip Peripheral Modules

**Table 5.27 I/O Port Timing**

Conditions: VCC = 2.7 to 5.5 V, VCC\_USB = 2.7 to 5.5 V, AVCC0 = AVCC1 = AVCC2 = 3.0 to 5.5V,  
 VSS = VSS\_USB = AVSS0 = AVSS1 = AVSS2 = 0 V, T<sub>a</sub> = T<sub>opr</sub>,  
 ICLK = 8 to 160 MHz, PCLKA = 8 to 120 MHz, PCLKB = 8 to 60 MHz, PCLKC = 8 to 160 MHz, BCLK = 8 to 60 MHz,  
 Output load conditions: V<sub>OH</sub> = 0.5 × VCC, V<sub>OL</sub> = 0.5 × VCC, C = 30 pF,  
 High-drive output is selected by the driving ability control register (other than for P53 to P55 and P60 to P65).

Item		Symbol	Min.	Max.	Unit*1	Test Conditions
I/O ports	Input data pulse width	t <sub>PRW</sub>	1.5	—	t <sub>PBcyc</sub>	Figure 5.23

Note 1. t<sub>PBcyc</sub>: PCLKB cycle



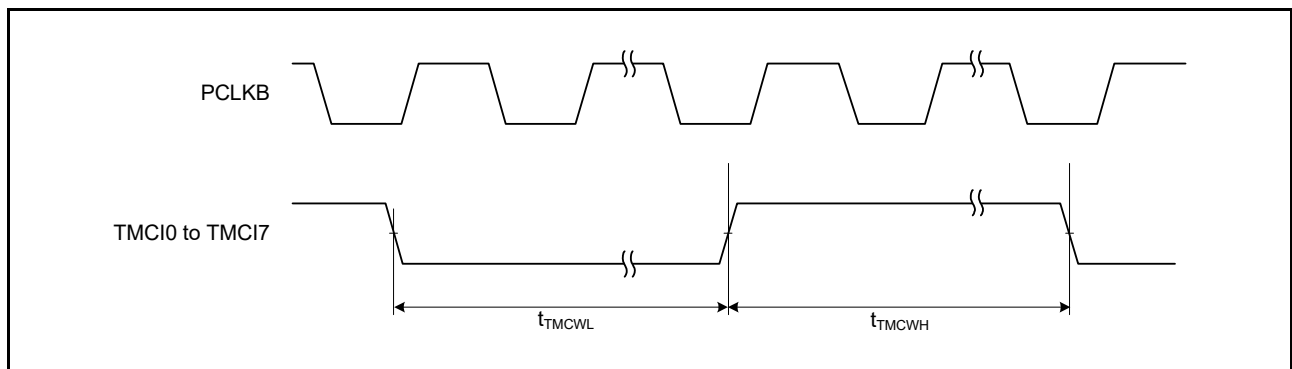
**Figure 5.23 I/O Port Input Timing**

**Table 5.28 TMR Timing**

Conditions: VCC = 2.7 to 5.5 V, VCC\_USB = 2.7 to 5.5 V, AVCC0 = AVCC1 = AVCC2 = 3.0 to 5.5V,  
 VSS = VSS\_USB = AVSS0 = AVSS1 = AVSS2 = 0 V, T<sub>a</sub> = T<sub>opr</sub>,  
 ICLK = 8 to 160 MHz, PCLKA = 8 to 120 MHz, PCLKB = 8 to 60 MHz, PCLKC = 8 to 160 MHz, BCLK = 8 to 60 MHz,  
 Output load conditions: V<sub>OH</sub> = 0.5 × VCC, V<sub>OL</sub> = 0.5 × VCC, C = 30 pF,  
 High-drive output is selected by the driving ability control register (other than for P53 to P55 and P60 to P65).

Item		Symbol	Min.	Max.	Unit*1	Test Conditions	
TMR	Timer clock pulse width	Single-edge setting	t <sub>TMCWH</sub> , t <sub>TMCWL</sub>	1.5	—	t <sub>PBcyc</sub>	Figure 5.24
		Both-edge setting		2.5	—		

Note 1. t<sub>PBcyc</sub>: PCLKB cycle



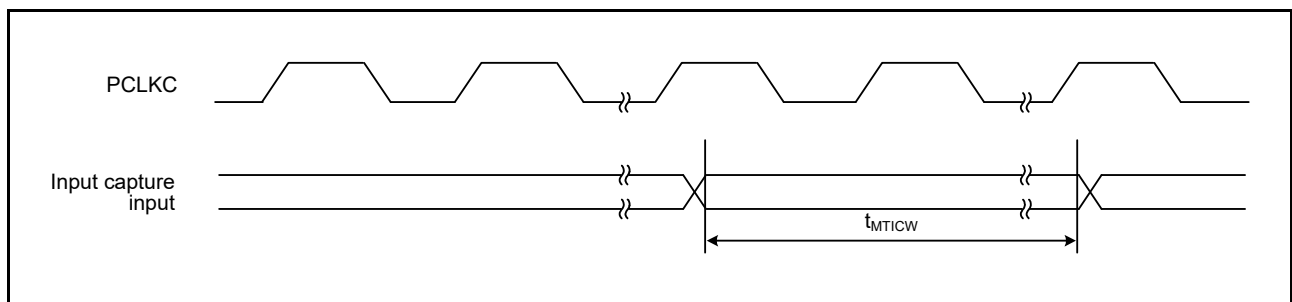
**Figure 5.24 TMR Clock Input Timing**

**Table 5.29 MTU Timing**

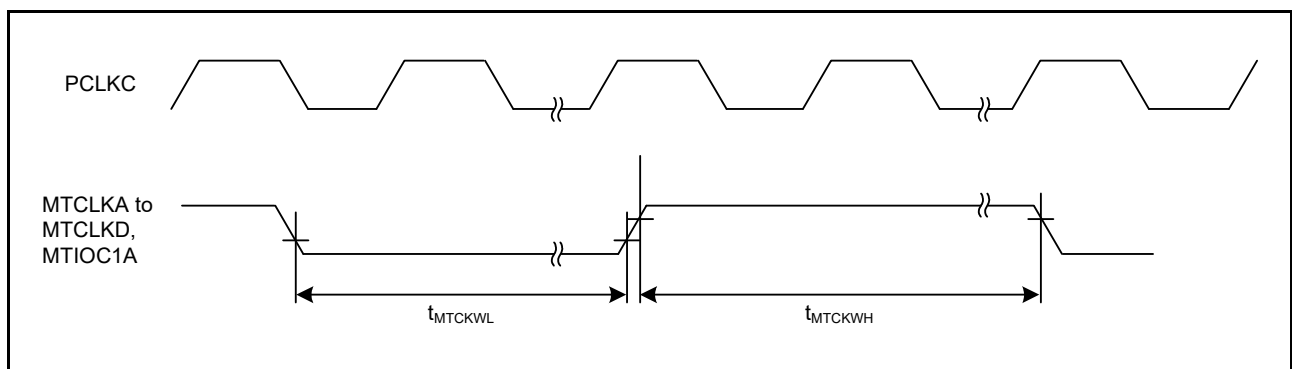
Conditions:  $V_{CC} = 2.7$  to  $5.5$  V,  $V_{CC\_USB} = 2.7$  to  $5.5$  V,  $AVCC0 = AVCC1 = AVCC2 = 3.0$  to  $5.5$  V,  
 $V_{SS} = V_{SS\_USB} = AVSS0 = AVSS1 = AVSS2 = 0$  V,  $T_a = T_{opr}$ ,  
 $ICLK = 8$  to  $160$  MHz,  $PCLKA = 8$  to  $120$  MHz,  $PCLKB = 8$  to  $60$  MHz,  $PCLKC = 8$  to  $160$  MHz,  $BCLK = 8$  to  $60$  MHz,  
 Output load conditions:  $V_{OH} = 0.5 \times V_{CC}$ ,  $V_{OL} = 0.5 \times V_{CC}$ ,  $C = 30$  pF,  
 High-drive output is selected by the driving ability control register (other than for P53 to P55 and P60 to P65).

Item		Symbol	Min.	Max.	Unit*1	Test Conditions	
MTU	Input capture input pulse width	Single-edge setting	1.5	—	$t_{PCyc}$	Figure 5.25	
		Both-edge setting	2.5	—			
	Timer clock pulse width	Single-edge setting	$t_{MTCKWH}$ , $t_{MTCKWL}$	1.5	—	$t_{PCyc}$	Figure 5.26
		Both-edge setting		2.5	—		
		Phase counting mode	2.5	—			

Note 1.  $t_{PCyc}$ : PCLKC cycle



**Figure 5.25 MTU Input Capture Input Timing**



**Figure 5.26 MTU Clock Input Timing**

**Table 5.30 POE and POEG Timing**

Conditions:  $V_{CC} = 2.7$  to  $5.5$  V,  $V_{CC\_USB} = 2.7$  to  $5.5$  V,  $AVCC0 = AVCC1 = AVCC2 = 3.0$  to  $5.5$  V,  
 $V_{SS} = V_{SS\_USB} = AVSS0 = AVSS1 = AVSS2 = 0$  V,  $T_a = T_{opr}$ ,  
 $ICLK = 8$  to  $160$  MHz,  $PCLKA = 8$  to  $120$  MHz,  $PCLKB = 8$  to  $60$  MHz,  $PCLKC = 8$  to  $160$  MHz,  $BCLK = 8$  to  $60$  MHz,  
Output load conditions:  $V_{OH} = 0.5 \times V_{CC}$ ,  $V_{OL} = 0.5 \times V_{CC}$ ,  $C = 30$  pF,  
High-drive output is selected by the driving ability control register (other than for P53 to P55 and P60 to P65).

Item		Symbol	Min.	typ.	Max.	Unit*1	Test Conditions	
POE	POEn# input pulse width (n = 0, 4, and 8 to 14)	$t_{POEW}$	1.5	—	—	$t_{PBcyc}$	Figure 5.27	
	Time to control disabling of the output	Detection of input level	$t_{POEDI}$	—	—	5 PCLKB + 0.24	$\mu$ s	Figure 5.28 When detecting falling edges (ICSRm.POEnM[3:0] = 0000 (m = 1 to 5, 7 to 9, n = 0, 4, 8 to 14))
		Comparison of output levels	$t_{POEDO}$	—	—	3 PCLKB + 0.2	$\mu$ s	Figure 5.29
		Detection by a comparator	$t_{POEDC}$	—	—	5 PCLKB + 0.2	$\mu$ s	Figure 5.30 The time is that when the noise filter for comparator C is not in use (CMPCTL.CDFS[1:0] = 00) and excludes the time for detection by comparator C.
		Disabling software by a register setting	$t_{POEDS}$	—	—	1 PCLKB + 0.2	$\mu$ s	Figure 5.31 Time for access to the register is not included.
		Oscillation stop detection	$t_{POEDOS}$	—	—	21	$\mu$ s	Figure 5.32
POEG	GTETRn input pulse width (n = A to D)	$t_{POEGW}$	1.5	—	—	$t_{PBcyc}$	Figure 5.33	
Time to control disabling of the output (with the detection flag in use)	Detection of input level	$t_{POEGDI}$	—	—	3 PCLKB + 0.34	$\mu$ s	Figure 5.34 When the digital noise filter is not in use (POEGGn.NFEN = 0 (n = A to D))	
	Detection of disabling of the output from the GPTW (due to a dead-time error or simultaneous driving of outputs to the high or low level)	$t_{POEGDE}$	—	—	0.5	$\mu$ s	Figure 5.35	
	Detection by a comparator	$t_{POEGDC}$	—	—	3 PCLKB + 0.5	$\mu$ s	Figure 5.36 The time is that when the noise filter for comparator C is not in use (CMPCTL.CDFS[1:0] = 00) and excludes the time for detection by comparator C.	
	Disabling software by a register setting	$t_{POEGDS}$	—	—	1 PCLKB + 0.3	$\mu$ s	Figure 5.37 Time for access to the register is not included.	
	Oscillation stop detection	$t_{POEGDOS}$	—	—	21	$\mu$ s	Figure 5.38	
Time to control disabling of the output (direct control by detection signals)	Detection of input level	$t_{POEGDDI}$	—	—	2 PCLKB + 1 PCLKC + 0.34	$\mu$ s	Figure 5.39	
	Detection of comparator level	$t_{POEGDDC}$	—	—	3 PCLKB + 0.3	$\mu$ s	Figure 5.40 The time is that when the noise filter for comparator C is not in use (CMPCTL.CDFS[1:0] = 00) and excludes the time for detection by comparator C.	

Note 1.  $t_{PBcyc}$ : PCLKB cycle

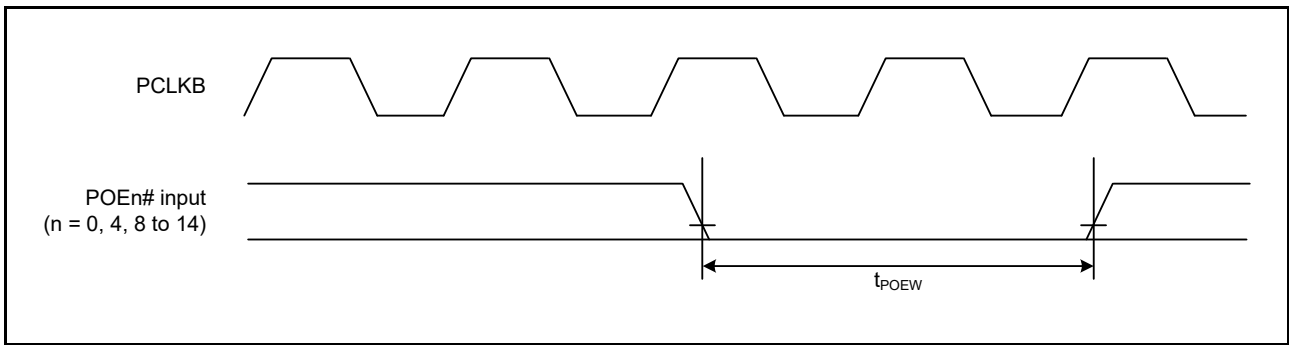


Figure 5.27 POE Input Timing

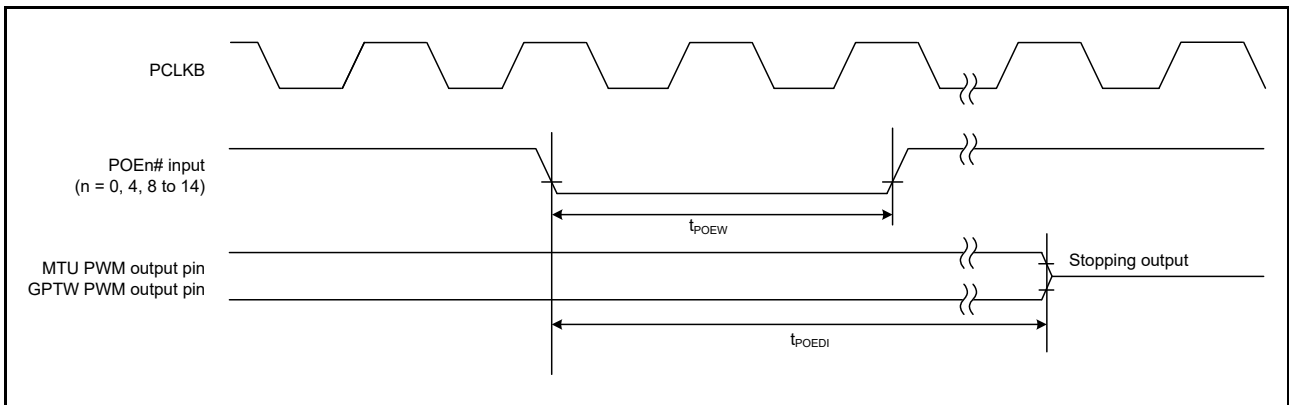
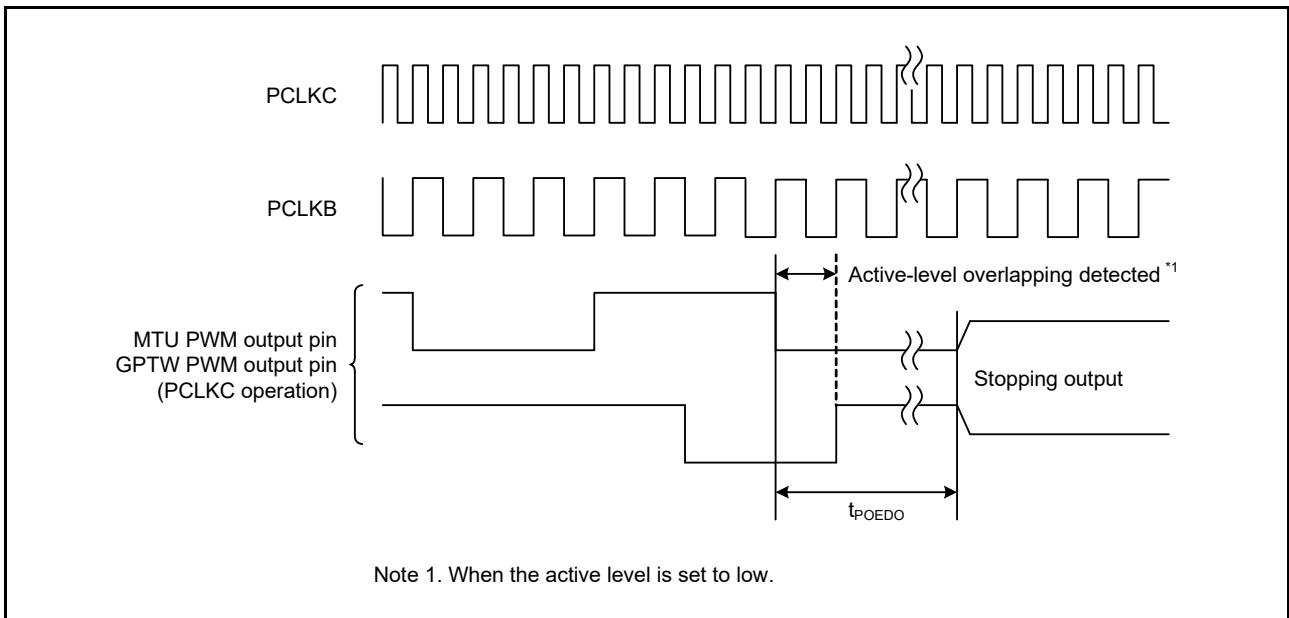
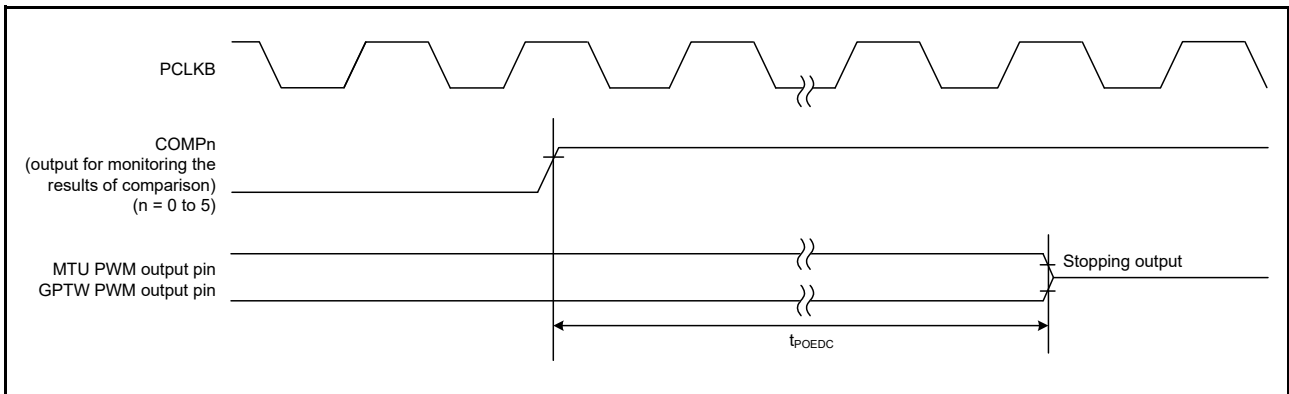


Figure 5.28 Time to Control Disabling of the Output when the POE Input Level is Detected

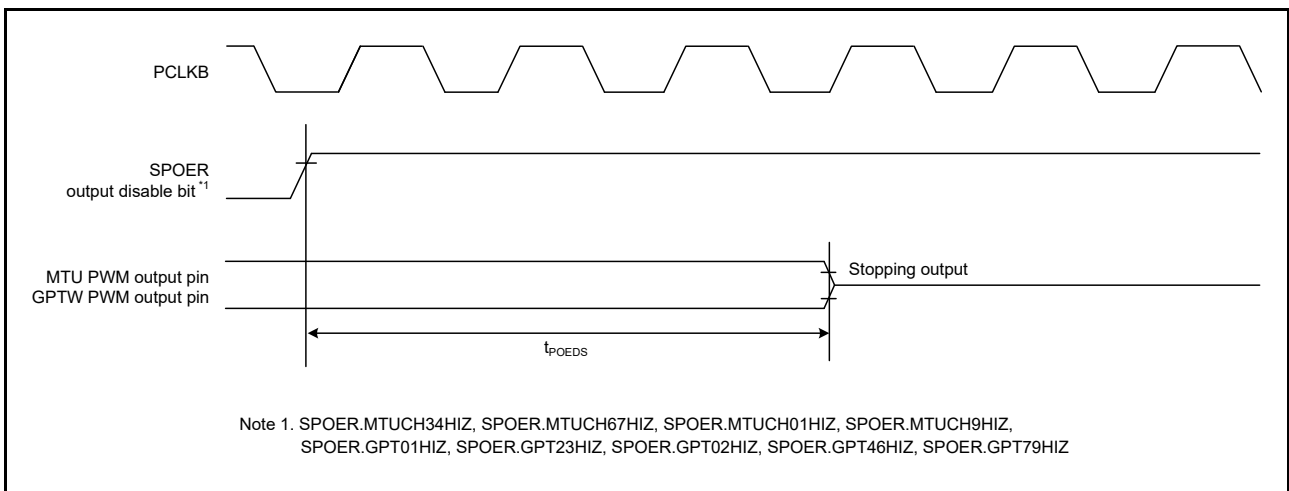


Note 1. When the active level is set to low.

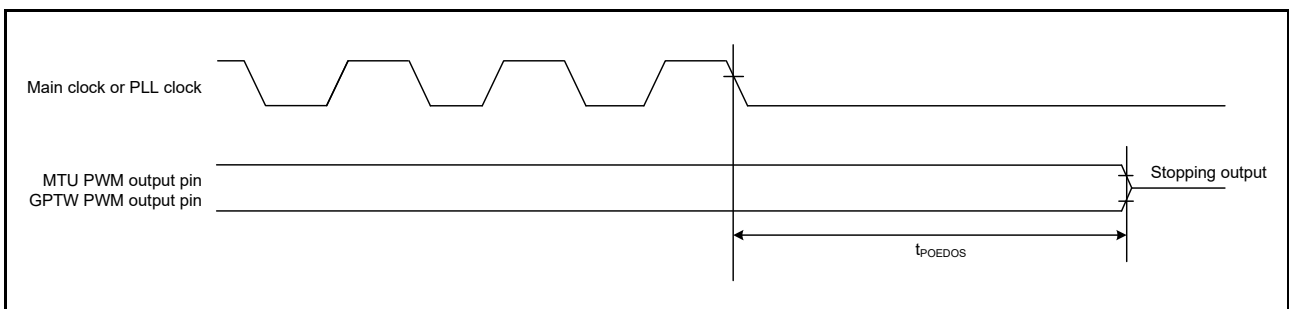
Figure 5.29 Time to Control Disabling of the Output in Response to POE Output Level Comparison



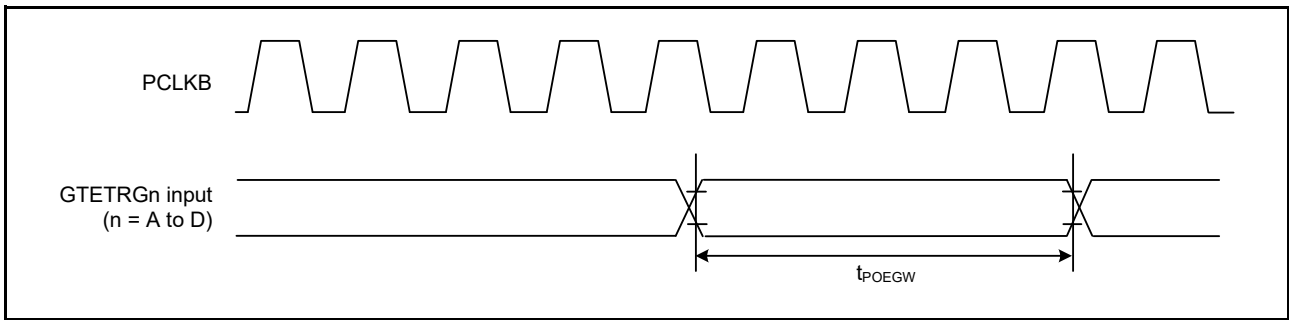
**Figure 5.30 Time to Control Disabling of the Output Due to Detection by the POE Comparator**



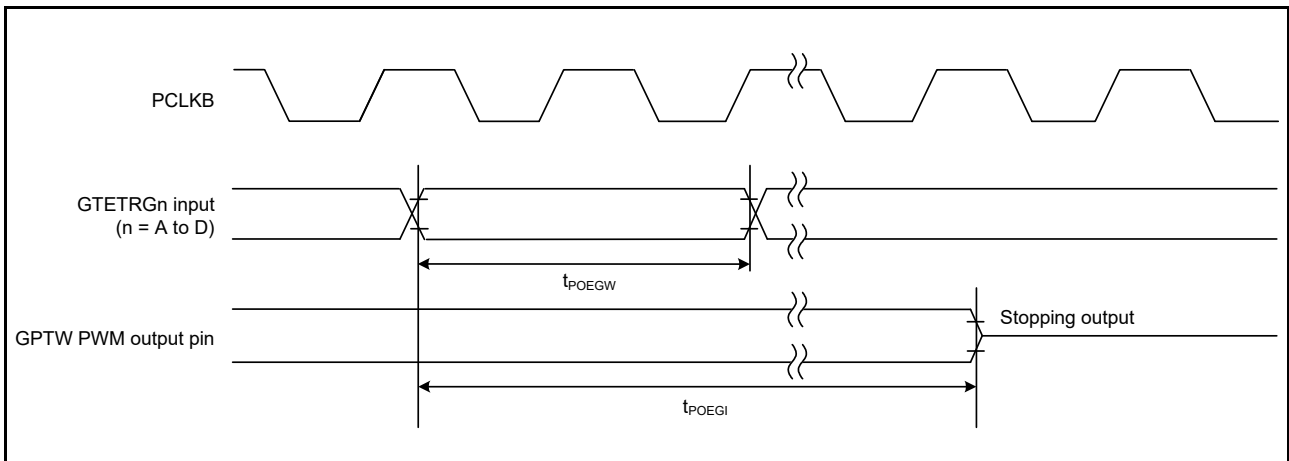
**Figure 5.31 Time to Control Disabling of the Output when Software Disables Output by Setting the Given POE Register**



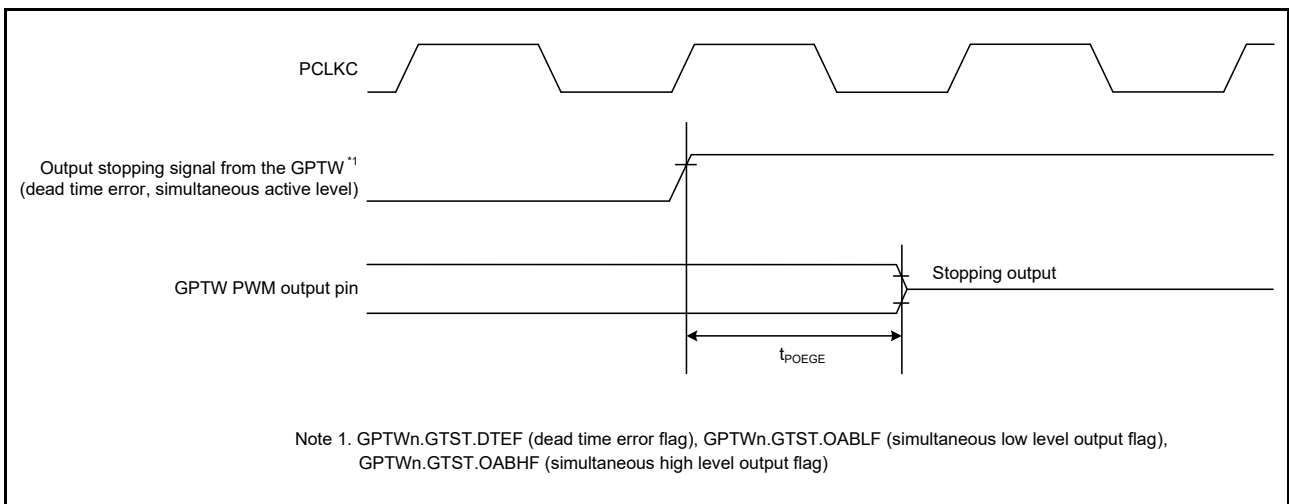
**Figure 5.32 Time to Control Disabling of the Output when Disabling is Due to Detecting Stopping of Oscillation by POE**



**Figure 5.33 POEG Input Timing**

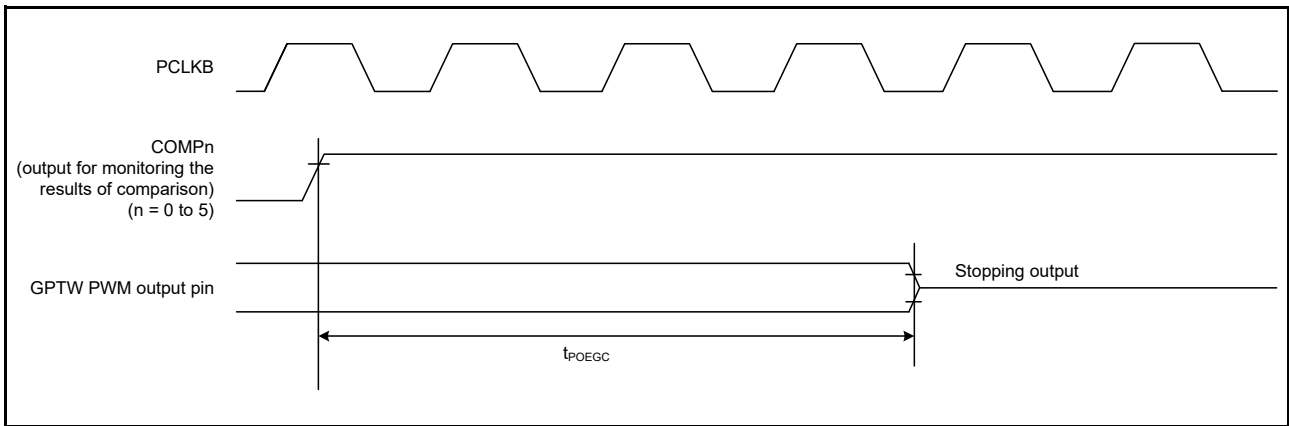


**Figure 5.34 Time to Control Disabling of the Output from the POEG in Response to the Port Input Detection Flag**

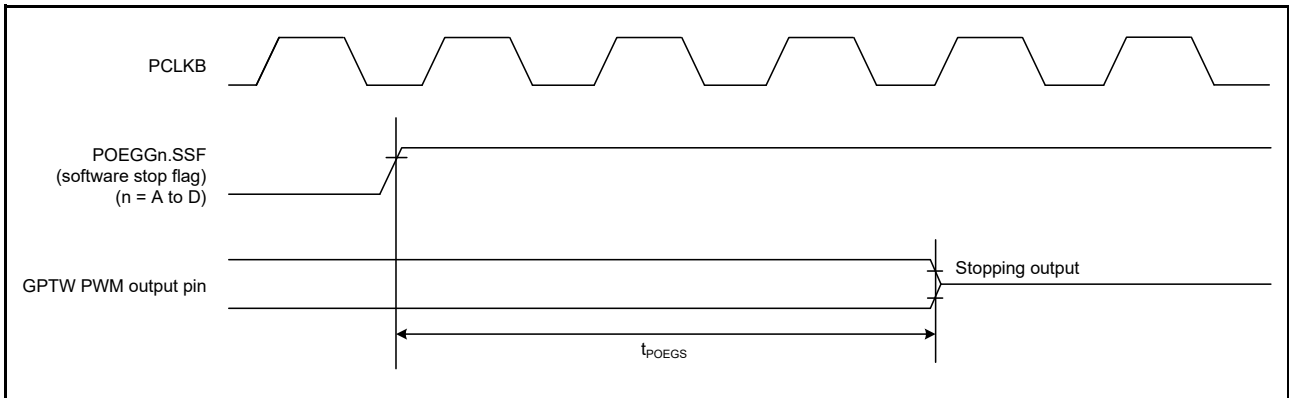


**Figure 5.35 Time to Control Disabling of the Output from POEG in Response to Detection of the Disabling Signal from GPTW**

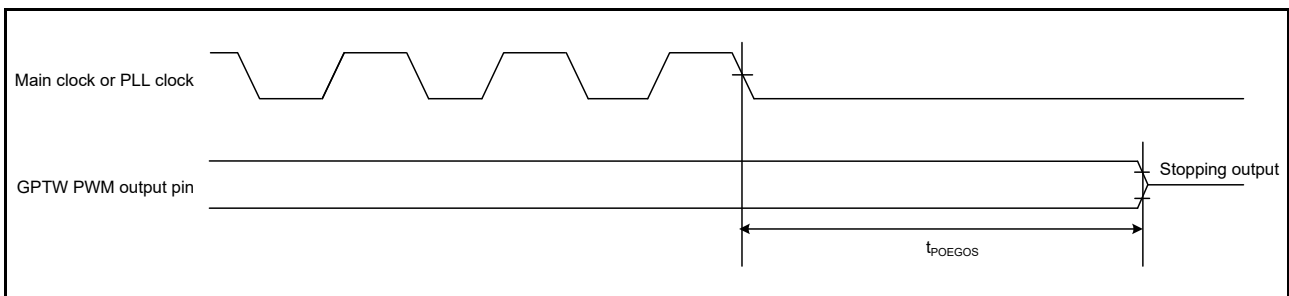




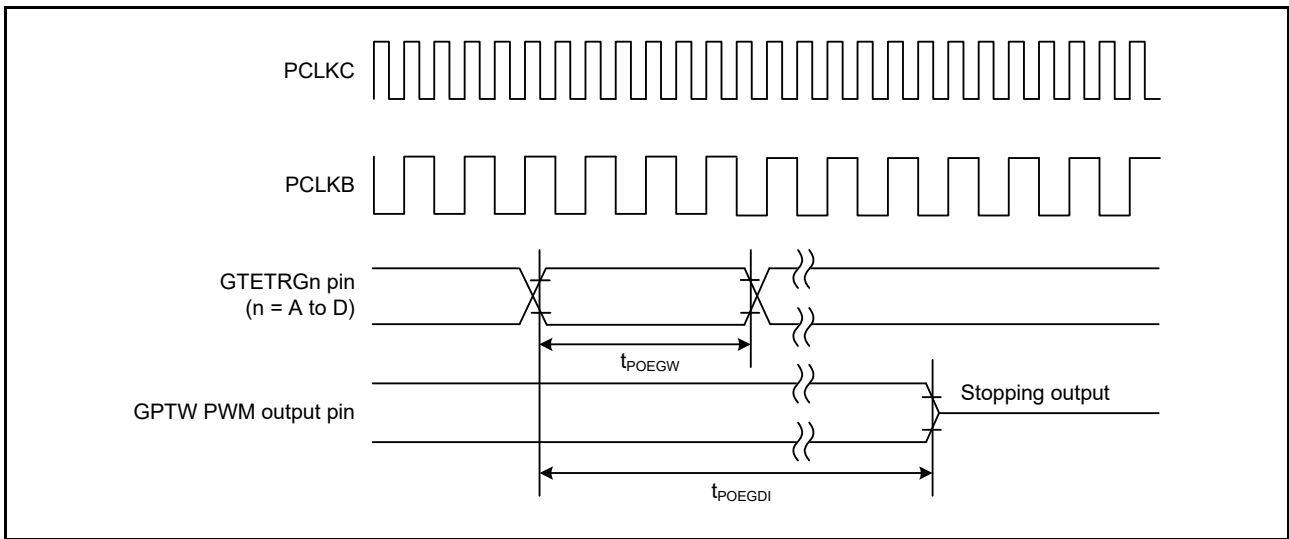
**Figure 5.36** Time to Control Disabling of the Output from the POEG in Response to Edge Detection by the Comparator



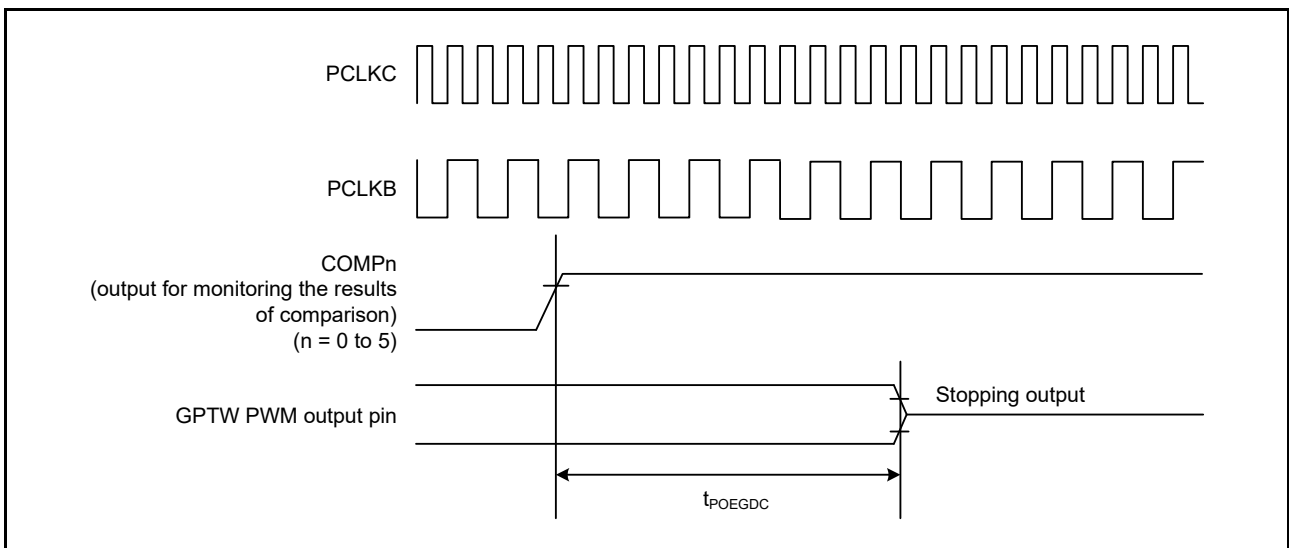
**Figure 5.37** Time to Control Disabling of the Output in Response to Detecting Stopping of Oscillation by POEG



**Figure 5.38** Time to Control Disabling of the Output when Disabling POEG oscillation



**Figure 5.39** Time to Control Disabling of the Output from POEG under Direct Control by Input Level Detection Signal



**Figure 5.40** Time to Control Disabling of the Output from POEG under Direct Control in Response to Detecting the Comparator Level

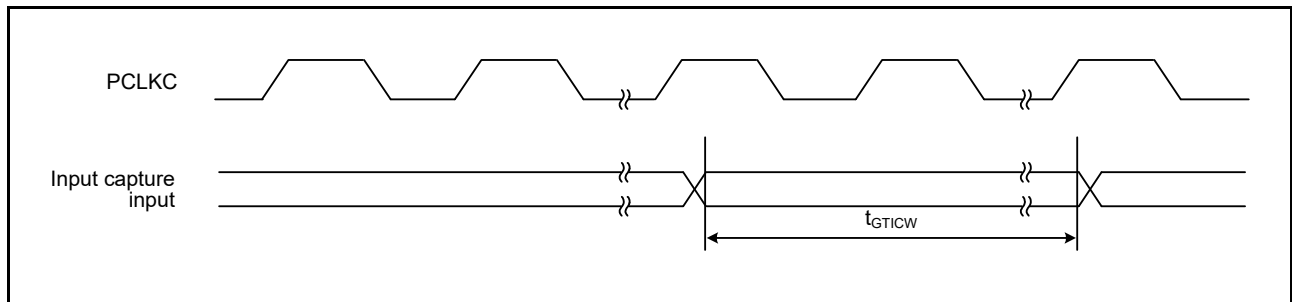
**Table 5.31 GPTW Timing**

Conditions:  $V_{CC} = 2.7$  to  $5.5$  V,  $V_{CC\_USB} = 2.7$  to  $5.5$  V,  $AVCC0 = AVCC1 = AVCC2 = 3.0$  to  $5.5$  V,  
 $V_{SS} = V_{SS\_USB} = AVSS0 = AVSS1 = AVSS2 = 0$  V,  $T_a = T_{opr}$ ,  
 $ICLK = 8$  to  $160$  MHz,  $PCLKA = 8$  to  $120$  MHz,  $PCLKB = 8$  to  $60$  MHz,  $PCLKC = 8$  to  $160$  MHz,  $BCLK = 8$  to  $60$  MHz,  
 Output load conditions:  $V_{OH} = 0.5 \times V_{CC}$ ,  $V_{OL} = 0.5 \times V_{CC}$ ,  $C = 30$  pF,  
 High-drive output is selected by the driving ability control register (other than for P53 to P55 and P60 to P65).

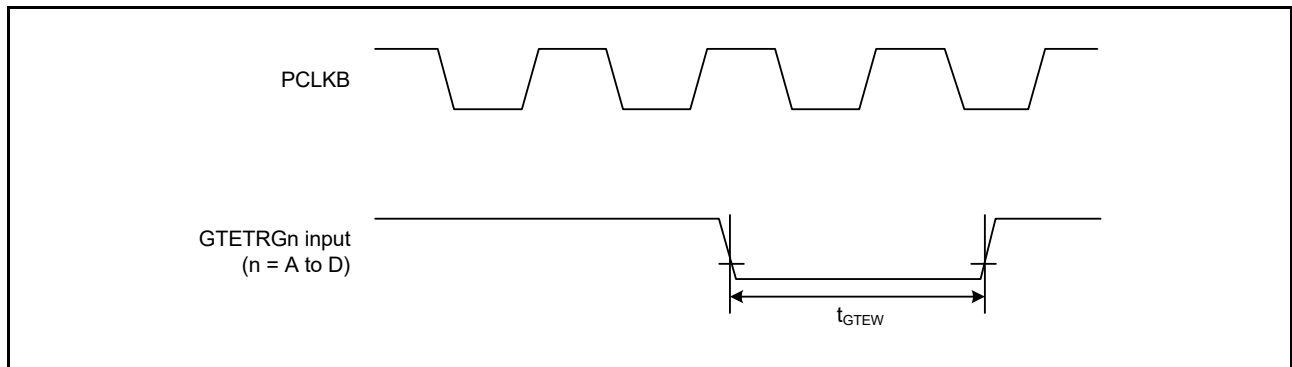
Item		Symbol	Min.	Max.	Unit*1, *2	Test Conditions	
GPTW	Input capture input pulse width	Single-edge setting	1.5	—	$t_{PCyc}$	Figure 5.41	
		Both-edge setting	2.5	—			
	External trigger input pulse width	Single-edge setting	1.5	—	$t_{PBcyc}$	Figure 5.42	
		Both-edge setting	2.5	—			
	Timer clock pulse width		$t_{GTCKWH}$	1.5	—	$t_{PBcyc}$	Figure 5.43
			$t_{GTCKWL}$				

Note 1.  $t_{PCyc}$ : PCLKC cycle

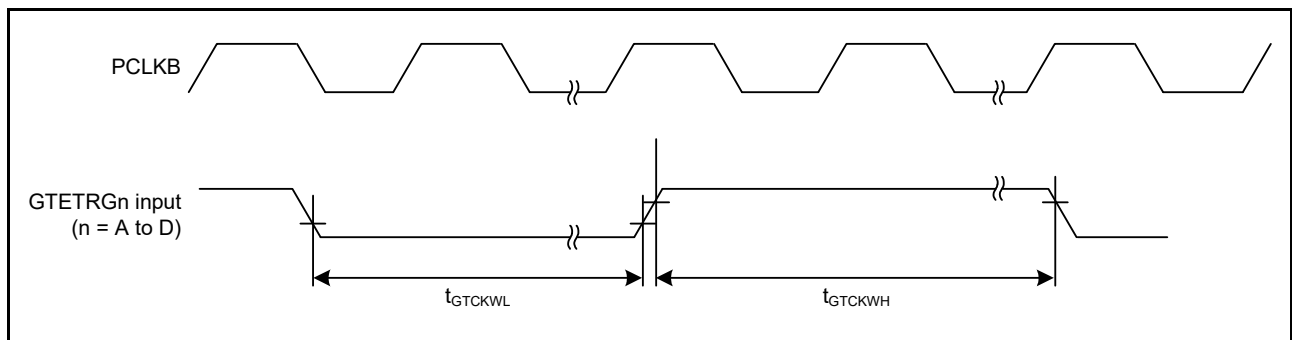
Note 2.  $t_{PBcyc}$ : PCLKB cycle



**Figure 5.41 GPTW Input Capture Input Timing**



**Figure 5.42 GPTW External Trigger Input Timing**



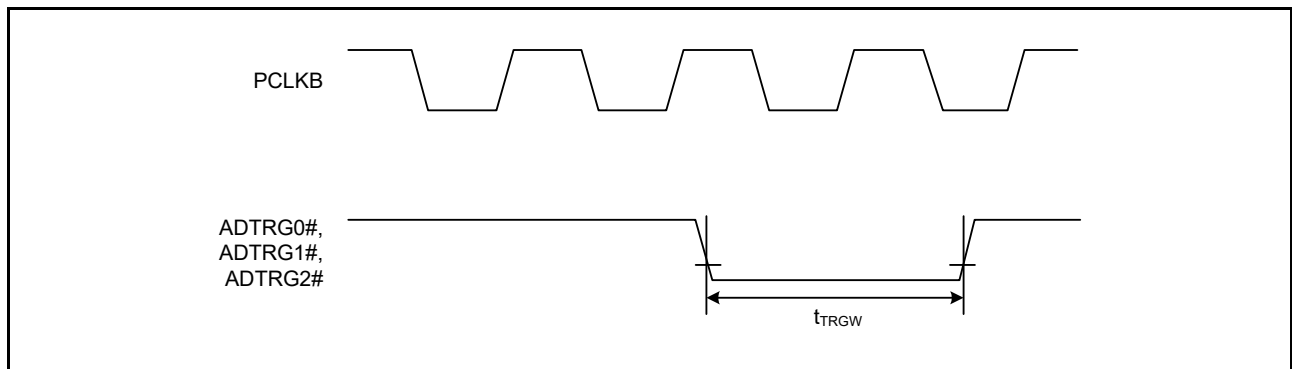
**Figure 5.43 GPTW Clock Input Timing**

**Table 5.32 A/D Converter Trigger Timing**

Conditions:  $V_{CC} = 2.7$  to  $5.5$  V,  $V_{CC\_USB} = 2.7$  to  $5.5$  V,  $AVCC0 = AVCC1 = AVCC2 = 3.0$  to  $5.5$  V,  
 $V_{SS} = V_{SS\_USB} = AVSS0 = AVSS1 = AVSS2 = 0$  V,  $T_a = T_{opr}$ ,  
 $ICLK = 8$  to  $160$  MHz,  $PCLKA = 8$  to  $120$  MHz,  $PCLKB = 8$  to  $60$  MHz,  $PCLKC = 8$  to  $160$  MHz,  $BCLK = 8$  to  $60$  MHz,  
 Output load conditions:  $V_{OH} = 0.5 \times V_{CC}$ ,  $V_{OL} = 0.5 \times V_{CC}$ ,  $C = 30$  pF,  
 High-drive output is selected by the driving ability control register (other than for P53 to P55 and P60 to P65).

Item		Symbol	Min.	Max.	Unit*1	Test Conditions
A/D converter	A/D converter trigger input pulse width	$t_{TRGW}$	1.5	—	$t_{PBcyc}$	Figure 5.44

Note 1.  $t_{PBcyc}$ : PCLKB cycle



**Figure 5.44 A/D Converter Trigger Input Timing**

**Table 5.33 CAC Timing**

Conditions:  $V_{CC} = 2.7$  to  $5.5$  V,  $V_{CC\_USB} = 2.7$  to  $5.5$  V,  $AVCC0 = AVCC1 = AVCC2 = 3.0$  to  $5.5$  V,  
 $V_{SS} = V_{SS\_USB} = AVSS0 = AVSS1 = AVSS2 = 0$  V,  $T_a = T_{opr}$ ,  
 $ICLK = 8$  to  $160$  MHz,  $PCLKA = 8$  to  $120$  MHz,  $PCLKB = 8$  to  $60$  MHz,  $PCLKC = 8$  to  $160$  MHz,  $BCLK = 8$  to  $60$  MHz,  
 Output load conditions:  $V_{OH} = 0.5 \times V_{CC}$ ,  $V_{OL} = 0.5 \times V_{CC}$ ,  $C = 30$  pF,  
 High-drive output is selected by the driving ability control register (other than for P53 to P55 and P60 to P65).

Item*1, *2		Symbol	Min.*1, *2	Max.	Unit	Test Conditions
CAC	CACREF input pulse width	$t_{CACREF}$	$t_{PBcyc} \leq t_{cac}$	$4.5 t_{cac} + 3 t_{PBcyc}$	—	ns
			$t_{PBcyc} > t_{cac}$	$5 t_{cac} + 6.5 t_{PBcyc}$	—	

Note 1.  $t_{PBcyc}$ : PCLKB cycle

Note 2.  $t_{cac}$ : CAC count clock source cycle

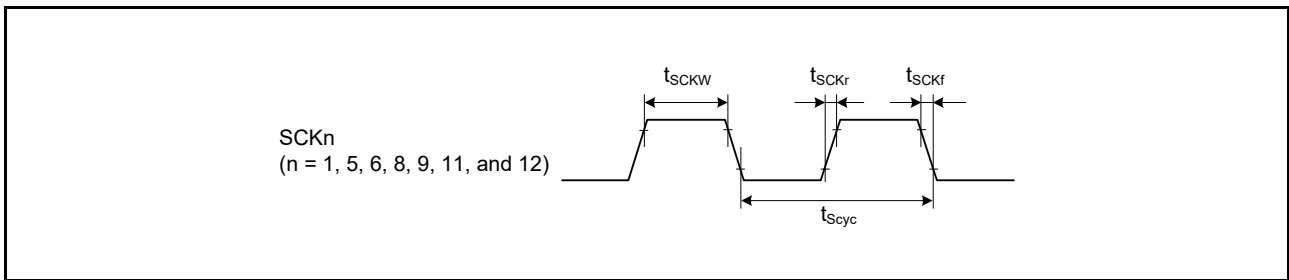
**Table 5.34 SCIj, SCIh, and SCli Timing**

Conditions:  $V_{CC} = 2.7$  to  $5.5$  V,  $V_{CC\_USB} = 2.7$  to  $5.5$  V,  $AVCC0 = AVCC1 = AVCC2 = 3.0$  to  $5.5$  V,  
 $V_{SS} = V_{SS\_USB} = AVSS0 = AVSS1 = AVSS2 = 0$  V,  $T_a = T_{opr}$ ,  
 $ICLK = 8$  to  $160$  MHz,  $PCLKA = 8$  to  $120$  MHz,  $PCLKB = 8$  to  $60$  MHz,  $PCLKC = 8$  to  $160$  MHz,  $BCLK = 8$  to  $60$  MHz,  
 Output load conditions:  $V_{OH} = 0.5 \times V_{CC}$ ,  $V_{OL} = 0.5 \times V_{CC}$ ,  $C = 30$  pF,  
 High-drive output is selected by the driving ability control register (other than for P53 to P55 and P60 to P65).

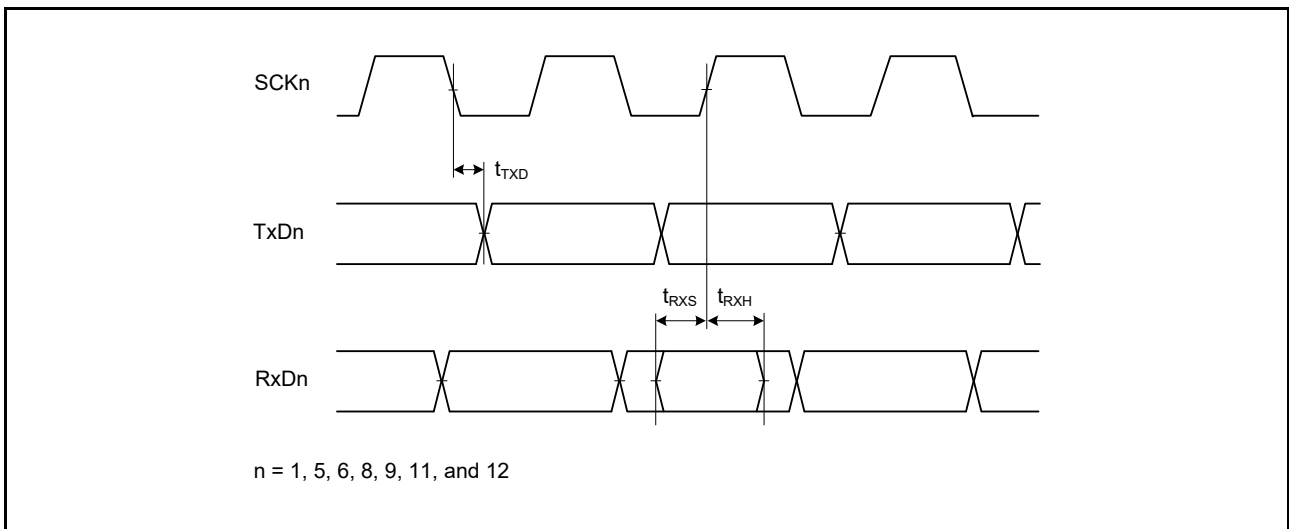
Item		Symbol	Min.	Max.	Unit*1	Test Conditions			
SCIj, SCIh	Input clock cycle	Asynchronous	$t_{Scyc}$	4	—	$t_{PBcyc}$	Figure 5.45		
		Clock synchronous		6	—				
	Input clock pulse width		$t_{SCKW}$	0.4	0.6	$t_{Scyc}$			
	Input clock rise time		$t_{SCKr}$	—	5	ns			
	Input clock fall time		$t_{SCKf}$	—	5	ns			
	Output clock cycle	Asynchronous*2	$t_{Scyc}$	8	—	$t_{PBcyc}$			
		Clock synchronous		4	—				
	Output clock pulse width		$t_{SCKW}$	0.4	0.6	$t_{Scyc}$			
	Output clock rise time		$t_{SCKr}$	—	5	ns			
	Output clock fall time		$t_{SCKf}$	—	5	ns			
	Transmit data delay time	Clock synchronous	$t_{TXD}$	—	28	ns		$V_{CC} \geq 4.5$ V	Figure 5.46
				—	33			$V_{CC} < 4.5$ V	
	Receive data setup time	Clock synchronous	$t_{RXS}$	15	—	ns		$V_{CC} \geq 4.5$ V	Figure 5.46
20				—	$V_{CC} < 4.5$ V				
Receive data hold time	Clock synchronous	$t_{RXH}$	5	—	ns	Figure 5.46			
SCli	Input clock cycle	Asynchronous	$t_{Scyc}$	4	—	$t_{PAcyc}$	Figure 5.45		
		Clock synchronous		6	—				
	Input clock pulse width		$t_{SCKW}$	0.4	0.6	$t_{Scyc}$			
	Input clock rise time		$t_{SCKr}$	—	5	ns			
	Input clock fall time		$t_{SCKf}$	—	5	ns			
	Output clock cycle	Asynchronous*2	$t_{Scyc}$	6	—	$t_{PAcyc}$			
		Clock synchronous		4	—				
	Output clock pulse width		$t_{SCKW}$	0.4	0.6	$t_{Scyc}$			
	Output clock rise time		$t_{SCKr}$	—	5	ns			
	Output clock fall time		$t_{SCKf}$	—	5	ns			
	Transmit data delay time	Master	$t_{TXD}$	—	15	ns		$V_{CC} \geq 4.5$ V	Figure 5.46
		Slave		—	28				
		Master		—	20			$V_{CC} < 4.5$ V	
Slave		—		33					
Receive data setup time	Clock synchronous	$t_{RXS}$	15	—	ns	$V_{CC} \geq 4.5$ V	Figure 5.46		
			20	—		$V_{CC} < 4.5$ V			
Receive data hold time	Clock synchronous	$t_{RXH}$	5	—	ns	Figure 5.46			

Note 1.  $t_{PBcyc}$ : PCLKB cycle;  $t_{PAcyc}$ : PCLKA cycle

Note 2. When the SEMR.ABCS and SEMR.BGDM bits are set to 1



**Figure 5.45 SCK Clock Input Timing**



**Figure 5.46 SCI Input/Output Timing: Clock Synchronous Mode**

**Table 5.35 RSPI Timing**

Conditions: VCC = 2.7 to 5.5 V, VCC\_USB = 2.7 to 5.5 V, AVCC0 = AVCC1 = AVCC2 = 3.0 to 5.5 V,

VSS = VSS\_USB = AVSS0 = AVSS1 = AVSS2 = 0 V, T<sub>a</sub> = T<sub>opr</sub>,

ICLK = 8 to 160 MHz, PCLKA = 8 to 120 MHz, PCLKB = 8 to 60 MHz, PCLKC = 8 to 160 MHz, BCLK = 8 to 60 MHz,

Output load conditions: V<sub>OH</sub> = 0.5 × VCC, V<sub>OL</sub> = 0.5 × VCC, C = 30 pF,

High-drive output is selected by the driving ability control register (other than for P53 to P55 and P60 to P65).

Item		Symbol	Min.*1	Max.*1	Unit*1	Test Conditions				
RSPI	RSPCK clock cycle	Master	t <sub>SPcyc</sub>	2	4096	t <sub>PAcyc</sub>	Figure 5.47			
		Slave		4	—					
	RSPCK clock high pulse width	Master	t <sub>SPCKWH</sub>	$(t_{SPcyc} - t_{SPCKr} - t_{SPCKf}) / 2 - 3$	—	ns		Figure 5.48 to Figure 5.53		
		Slave							$(t_{SPcyc} - t_{SPCKr} - t_{SPCKf}) / 2$	—
	RSPCK clock low pulse width	Master	t <sub>SPCKWL</sub>	$(t_{SPcyc} - t_{SPCKr} - t_{SPCKf}) / 2 - 3$	—	ns				
		Slave							$(t_{SPcyc} - t_{SPCKr} - t_{SPCKf}) / 2$	—
	RSPCK clock rise/fall time	Output	t <sub>SPCKr</sub> , t <sub>SPCKf</sub>	—	5	ns				
		Input		—	1	μs				
	Data input setup time	Master	t <sub>SU</sub>	6	—	ns			VCC ≥ 4.5 V	Figure 5.48 to Figure 5.53
				11	—				VCC < 4.5 V	
		Slave		8.3	—	Figure 5.48 to Figure 5.53				
	Data input hold time	Master	PCLKA division ratio set to 1/2	t <sub>HF</sub>	0	ns			Figure 5.48 to Figure 5.53	
				PCLKA division ratio set to a value other than 1/2	t <sub>H</sub>					t <sub>PAcyc</sub>
		Slave			8.3	—				
	SSL setup time	Master	t <sub>LEAD</sub>	1	8	t <sub>SPcyc</sub>				
		Slave		6	—	t <sub>PAcyc</sub>				
	SSL hold time	Master	t <sub>LAG</sub>	1	8	t <sub>SPcyc</sub>				
		Slave		6	—	t <sub>PAcyc</sub>				
	Data output delay time	Master	t <sub>OD</sub>	—	6.3	ns			VCC ≥ 4.5 V	Figure 5.48 to Figure 5.53
		Slave		—	28					
Master		—		11.3	ns	VCC < 4.5 V				
Slave		—		33						
Data output hold time	Master	t <sub>OH</sub>	0	—	ns	Figure 5.48 to Figure 5.53				
	Slave		0	—						
Successive transmission delay time	Master	t <sub>TD</sub>	t <sub>SPcyc</sub> + 2 × t <sub>PAcyc</sub>	8 × t <sub>SPcyc</sub> + 2 × t <sub>PAcyc</sub>	ns					
	Slave		6 × t <sub>PAcyc</sub>	—						
MOSI and MISO rise/fall time	Output	t <sub>Dr</sub> , t <sub>Df</sub>	—	5	ns					
	Input		—	1		μs				
SSL rise/fall time	Output	t <sub>SSLr</sub> ,	—	5	ns					
	Input	t <sub>SSLf</sub>	—	1		μs				
Slave access time		t <sub>SA</sub>	—	2 × t <sub>PAcyc</sub> + 28	ns	VCC ≥ 4.5 V	Figure 5.52, Figure 5.53			
			—	2 × t <sub>PAcyc</sub> + 33		VCC < 4.5 V				
Slave output release time		t <sub>REL</sub>	—	2 × t <sub>PAcyc</sub> + 28	ns	VCC ≥ 4.5 V				
			—	2 × t <sub>PAcyc</sub> + 33		VCC < 4.5 V				

Note 1. t<sub>PAcyc</sub>: PCLKA cycle

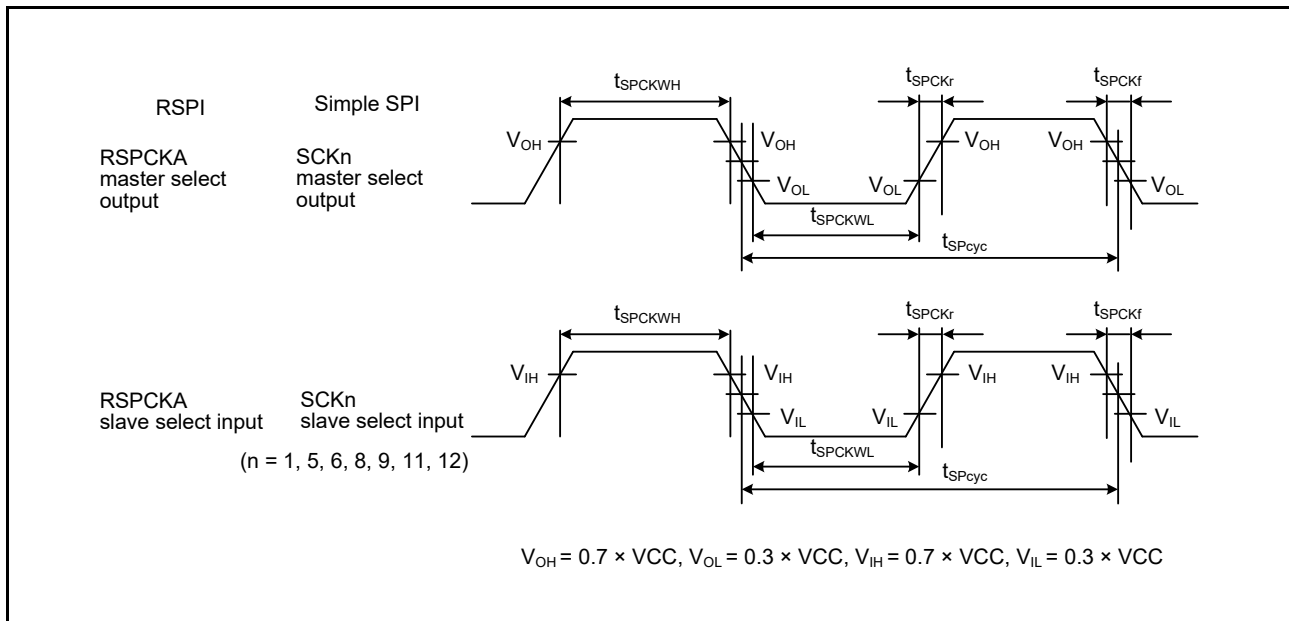
**Table 5.36 Simple SPI Timing**

Conditions:  $V_{CC} = 2.7$  to  $5.5$  V,  $V_{CC\_USB} = 2.7$  to  $5.5$  V,  $AV_{CC0} = AV_{CC1} = AV_{CC2} = 3.0$  to  $5.5$  V,  
 $V_{SS} = V_{SS\_USB} = AV_{SS0} = AV_{SS1} = AV_{SS2} = 0$  V,  $T_a = T_{opr}$ ,  
 $ICLK = 8$  to  $160$  MHz,  $PCLKA = 8$  to  $120$  MHz,  $PCLKB = 8$  to  $60$  MHz,  $PCLKC = 8$  to  $160$  MHz,  $BCLK = 8$  to  $60$  MHz,  
Output load conditions:  $V_{OH} = 0.5 \times V_{CC}$ ,  $V_{OL} = 0.5 \times V_{CC}$ ,  $C = 30$  pF,  
High-drive output is selected by the driving ability control register (other than for P53 to P55 and P60 to P65).

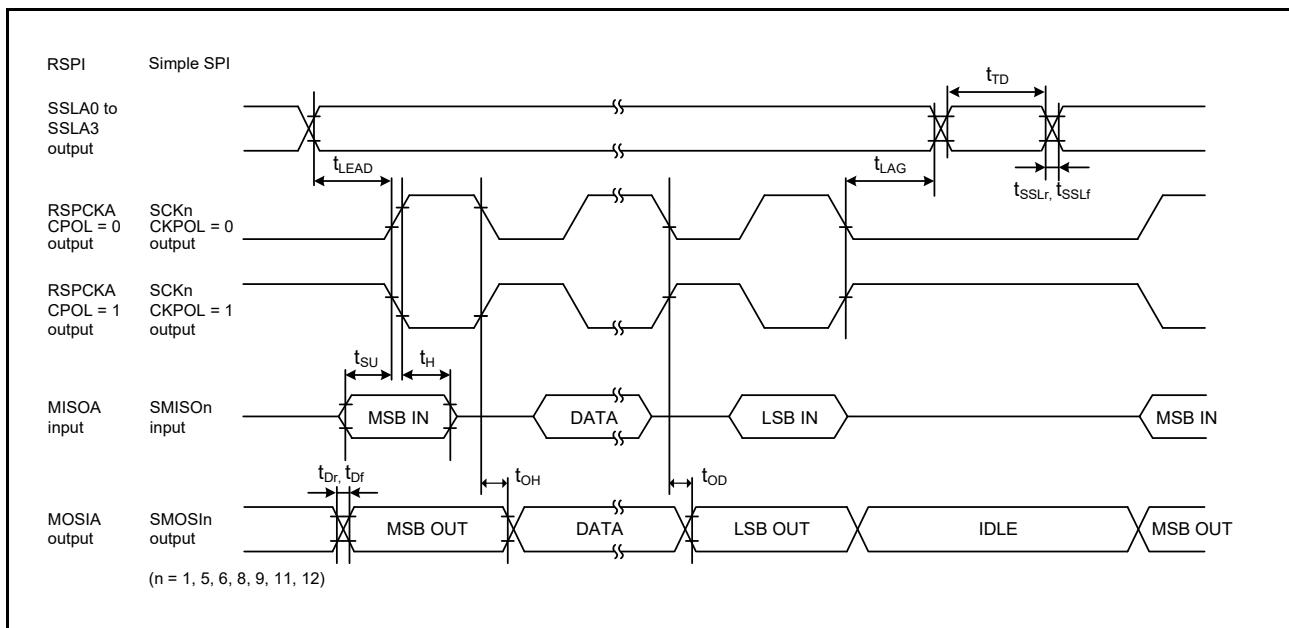
Item		Symbol	Min.	Max.	Unit*1	Test Conditions	
Simple SPI (SCI11)	SCK clock cycle output (master)	$t_{SPcyc}$	4	65536	$t_{PAcyc}$	Figure 5.47	
	SCK clock cycle input (slave)		8	—			
	SCK clock high pulse width	$t_{SPCKWH}$	0.4	0.6	$t_{SPcyc}$		
	SCK clock low pulse width	$t_{SPCKWL}$	0.4	0.6	$t_{SPcyc}$		
	SCK clock rise/fall time	$t_{SPCKr}$ , $t_{SPCKf}$	—	20	ns		
	Data input setup time	$t_{SU}$	33.3	—	ns		Figure 5.48 to Figure 5.53
	Data input hold time	$t_H$	33.3	—	ns		
	SS input setup time	$t_{LEAD}$	1	—	$t_{SPcyc}$		
	SS input hold time	$t_{LAG}$	1	—	$t_{SPcyc}$		
	Data output delay time	$t_{OD}$	—	33.3	ns		
	Data output hold time	$t_{OH}$	-10	—	ns		
	Data rise/fall time	$t_{Dr}$ , $t_{Df}$	—	16.6	ns		
	SS input rise/fall time	$t_{SSLr}$ , $t_{SSLf}$	—	16.6	ns		
	Slave access time	$t_{SA}$	—	7	$t_{PAcyc}$		Figure 5.52, Figure 5.53
	Slave output release time	$t_{REL}$	—	7	$t_{PAcyc}$		
Simple SPI (SCI1, SCI5, SCI6, SCI8, SCI9, SCI12)	SCK clock cycle output (master)	$t_{SPcyc}$	4	65536	$t_{PBcyc}$	Figure 5.47	
	SCK clock cycle input (slave)		8	—			
	SCK clock high pulse width	$t_{SPCKWH}$	0.4	0.6	$t_{SPcyc}$		
	SCK clock low pulse width	$t_{SPCKWL}$	0.4	0.6	$t_{SPcyc}$		
	SCK clock rise/fall time	$t_{SPCKr}$ , $t_{SPCKf}$	—	20	ns		
	Data input setup time	$t_{SU}$	33.3	—	ns		Figure 5.48 to Figure 5.53
	Data input hold time	$t_H$	33.3	—	ns		
	SS input setup time	$t_{LEAD}$	1	—	$t_{SPcyc}$		
	SS input hold time	$t_{LAG}$	1	—	$t_{SPcyc}$		
	Data output delay time	$t_{OD}$	—	33.3	ns		
	Data output hold time	$t_{OH}$	-10	—	ns		
	Data rise/fall time	$t_{Dr}$ , $t_{Df}$	—	16.6	ns		
	SS input rise/fall time	$t_{SSLr}$ , $t_{SSLf}$	—	16.6	ns		
	Slave access time	$t_{SA}$	—	7	$t_{PBcyc}$		Figure 5.52, Figure 5.53
	Slave output release time	$t_{REL}$	—	7	$t_{PBcyc}$		

Note 1.  $t_{PAcyc}$ : PCLKA cycle,  $t_{PBcyc}$ : PCLKB cycle





**Figure 5.47 RSPI Clock Timing and Simple SPI Clock Timing**



**Figure 5.48 RSPI Timing (Master, CPHA = 0) (Bit Rate: PCLKA Division Ratio Set to a Value Other Than 1/2) and Simple SPI Timing (Master, CKPH = 1)**

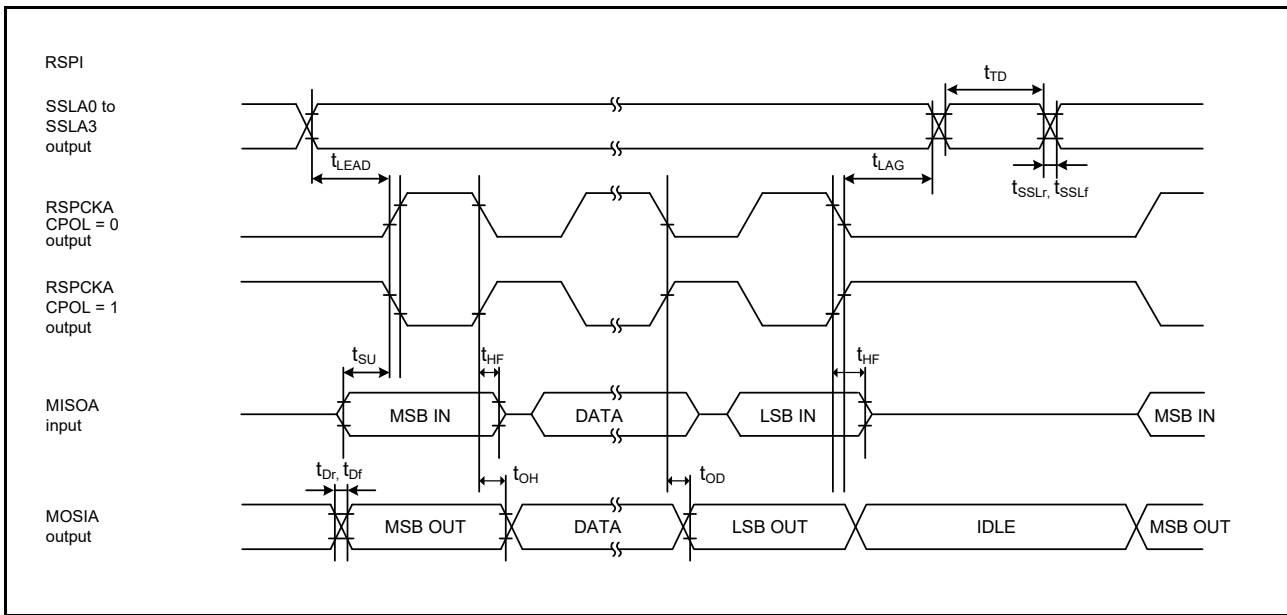


Figure 5.49 RSPI Timing (Master, CPHA = 0) (Bit Rate: PCLKA Division Ratio Set to 1/2)

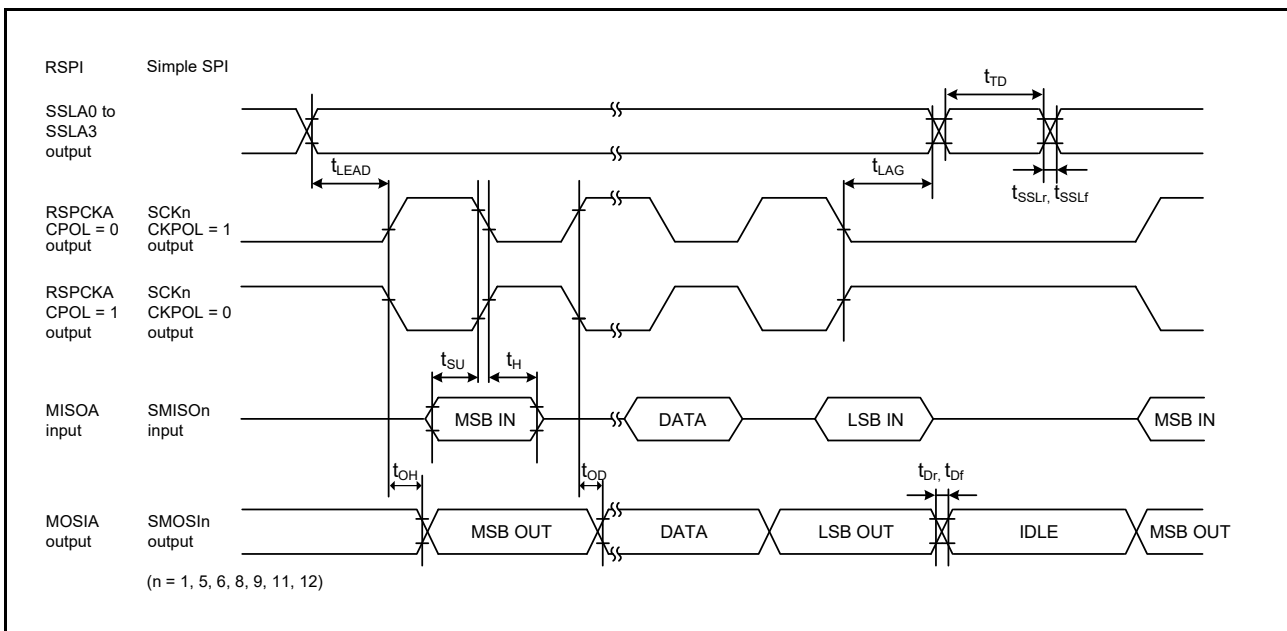


Figure 5.50 RSPI Timing (Master, CPHA = 1) (Bit Rate: PCLKA Division Ratio Set to a Value Other Than 1/2) and Simple SPI Timing (Master, CKPH = 0)

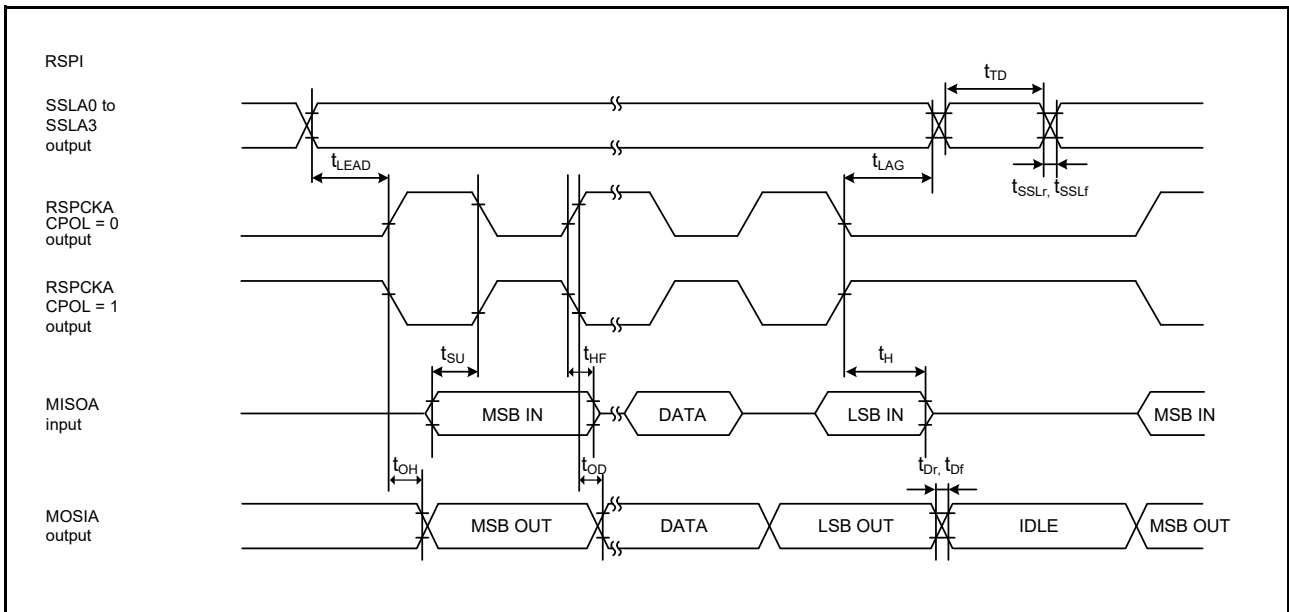


Figure 5.51 RSPI Timing (Master, CPHA = 1) (Bit Rate: PCLKA Division Ratio Set to 1/2)

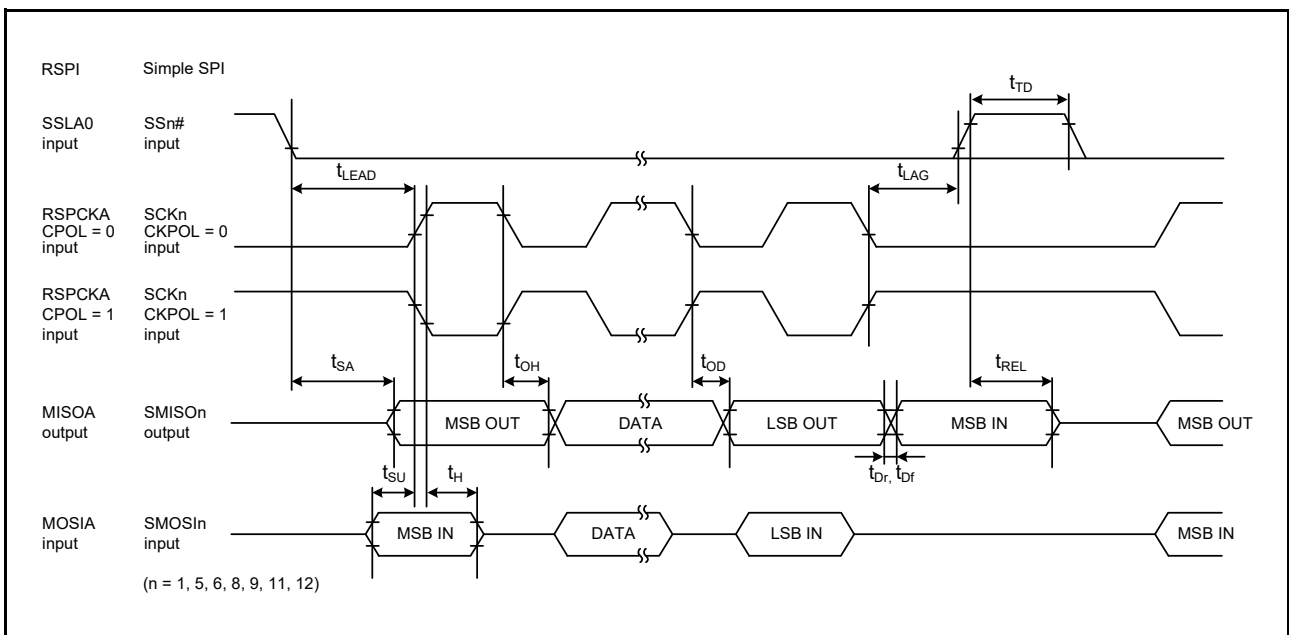


Figure 5.52 RSPI Timing (Slave, CPHA = 0) and Simple SPI Timing (Slave, CKPH = 1)

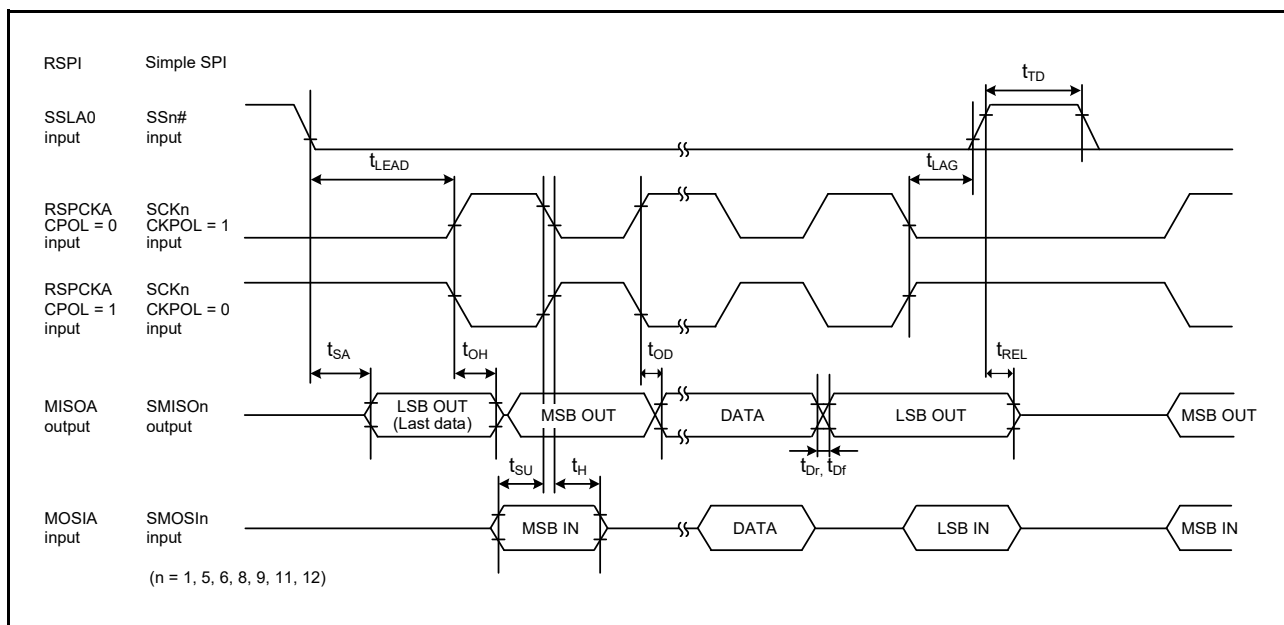


Figure 5.53 RSPI Timing (Slave, CPHA = 1) and Simple SPI Timing (Slave, CKPH = 0)

**Table 5.37 RIIC Timing**

Conditions:  $V_{CC} = 2.7$  to  $5.5$  V,  $V_{CC\_USB} = 2.7$  to  $5.5$  V,  $AVCC0 = AVCC1 = AVCC2 = 3.0$  to  $5.5$  V,  
 $V_{SS} = V_{SS\_USB} = AVSS0 = AVSS1 = AVSS2 = 0$  V,  $T_a = T_{opr}$ ,  
 $ICLK = 8$  to  $160$  MHz,  $PCLKA = 8$  to  $120$  MHz,  $PCLKB = 8$  to  $60$  MHz,  $PCLKC = 8$  to  $160$  MHz,  $BCLK = 8$  to  $60$  MHz,  
 Output load conditions:  $V_{OH} = 0.5 \times V_{CC}$ ,  $V_{OL} = 0.5 \times V_{CC}$ ,  $C = 30$  pF,  
 High-drive output is selected by the driving ability control register (other than for P53 to P55 and P60 to P65).

Item		Symbol *2	Min.*1	Max.*1	Unit	Test Conditions*3
RIIC (Standard-mode, SMBus)	SCL input cycle time	$t_{SCL}$	$6(12) \times t_{IICcyc} + 1300$	—	ns	Figure 5.54
	SCL input high pulse width	$t_{SCLH}$	$3(6) \times t_{IICcyc} + 300$	—		
	SCL input low pulse width	$t_{SCLL}$	$3(6) \times t_{IICcyc} + 300$	—		
	SCL, SDA input rise time	$t_{Sr}$	—	1000		
	SCL, SDA input fall time	$t_{Sf}$	—	300		
	SCL, SDA input spike pulse removal time	$t_{SP}$	0	$1(4) \times t_{IICcyc}$		
	SDA input bus free time	$t_{BUF}$	$3(6) \times t_{IICcyc} + 300$	—		
	Start condition input hold time	$t_{STAH}$	$t_{IICcyc} + 300$	—		
	Restart condition input setup time	$t_{STAS}$	1000	—		
	Stop condition input setup time	$t_{STOS}$	1000	—		
	Data input setup time	$t_{SDAS}$	$t_{IICcyc} + 50$	—		
	Data input hold time	$t_{SDAH}$	0	—		
	SCL, SDA capacitive load	$C_b$	—	400	pF	
RIIC (Fast-mode)	SCL input cycle time	$t_{SCL}$	$6(12) \times t_{IICcyc} + 600$	—	ns	
	SCL input high pulse width	$t_{SCLH}$	$3(6) \times t_{IICcyc} + 300$	—		
	SCL input low pulse width	$t_{SCLL}$	$3(6) \times t_{IICcyc} + 300$	—		
	SCL, SDA input rise time	$t_{Sr}$	$20 \times (\text{External pull-up voltage}/5.5V)$	300		
	SCL, SDA input fall time	$t_{Sf}$	$20 \times (\text{External pull-up voltage}/5.5V)$	300		
	SCL, SDA input spike pulse removal time	$t_{SP}$	0	$1(4) \times t_{IICcyc}$		
	SDA input bus free time	$t_{BUF}$	$3(6) \times t_{IICcyc} + 300$	—		
	Start condition input hold time	$t_{STAH}$	$t_{IICcyc} + 300$	—		
	Restart condition input setup time	$t_{STAS}$	300	—		
	Stop condition input setup time	$t_{STOS}$	300	—		
	Data input setup time	$t_{SDAS}$	$t_{IICcyc} + 50$	—		
	Data input hold time	$t_{SDAH}$	0	—		
	SCL, SDA capacitive load	$C_b$	—	400	pF	

Note:  $t_{IICcyc}$ : RIIC internal reference clock (IIC $\phi$ ) cycle

Note 1. The value within parentheses is applicable when the value of the ICMR3.NF[1:0] bits is 11b while the digital filter is enabled by the setting ICFER.NFE = 1.

Note 2.  $C_b$  is the total capacitance of the bus lines.

Note 3. When  $V_{CC} \geq 4.5V$ , VOLSR.RICVLS = 0  
 When  $V_{CC} < 4.5V$ , VOLSR.RICVLS = 1

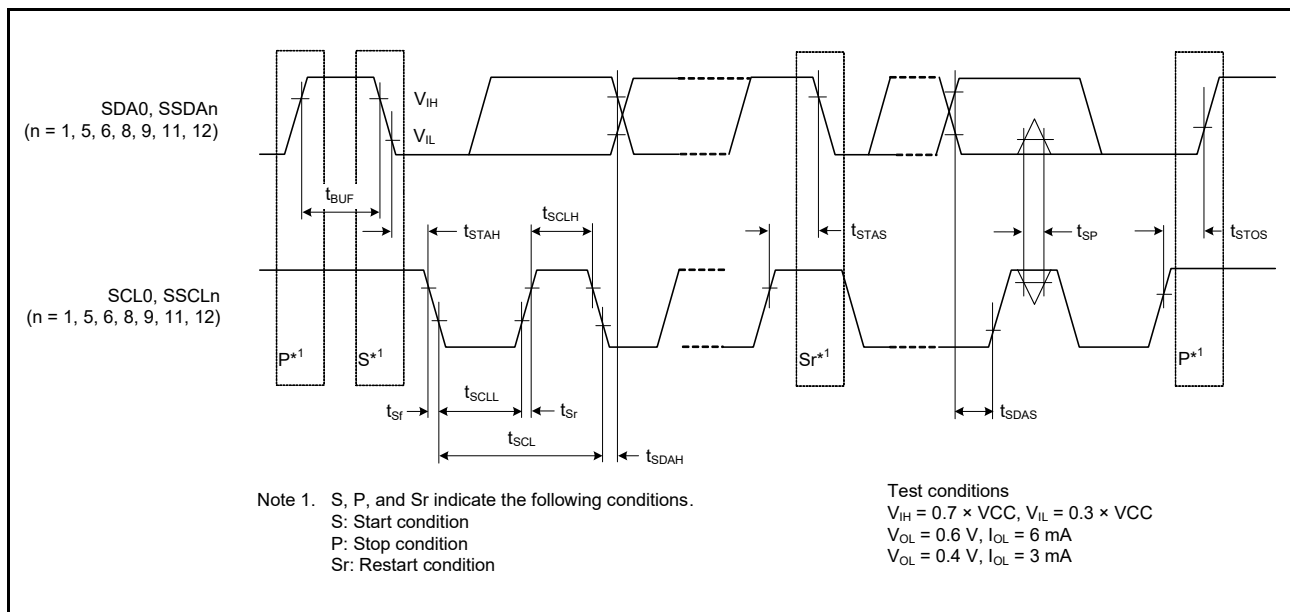
**Table 5.38 Simple IIC Timing**

Conditions:  $V_{CC} = 2.7$  to  $5.5$  V,  $V_{CC\_USB} = 2.7$  to  $5.5$  V,  $AV_{CC0} = AV_{CC1} = AV_{CC2} = 3.0$  to  $5.5$  V,  
 $V_{SS} = V_{SS\_USB} = AV_{SS0} = AV_{SS1} = AV_{SS2} = 0$  V,  $T_a = T_{opr}$ ,  
 $ICLK = 8$  to  $160$  MHz,  $PCLKA = 8$  to  $120$  MHz,  $PCLKB = 8$  to  $60$  MHz,  $PCLKC = 8$  to  $160$  MHz,  $BCLK = 8$  to  $60$  MHz,  
 Output load conditions:  $V_{OH} = 0.5 \times V_{CC}$ ,  $V_{OL} = 0.5 \times V_{CC}$ ,  $C = 30$  pF,  
 High-drive output is selected by the driving ability control register (other than for P53 to P55 and P60 to P65).

Item		Symbol*1	Min.	Max.*2	Unit	Test Conditions
Simple IIC (Standard-mode)	SSDA input rise time	$t_{sr}$	—	1000	ns	Figure 5.54
	SSDA input fall time	$t_{sf}$	—	300		
	SSCL, SSDA input spike pulse removal time	$t_{sp}$	0	$4 \times t_{Pcyc}$		
	Data input setup time	$t_{SDAS}$	250	—		
	Data input hold time	$t_{SDAH}$	0	—		
	SSCL, SSDA capacitive load	$C_b$	—	400	pF	
Simple IIC (Fast-mode)	SSDA input rise time	$t_{sr}$	—	300	ns	Figure 5.54
	SSDA input fall time	$t_{sf}$	—	300		
	SSCL, SSDA input spike pulse removal time	$t_{sp}$	0	$4 \times t_{Pcyc}$		
	Data input setup time	$t_{SDAS}$	100	—		
	Data input hold time	$t_{SDAH}$	0	—		
	SSCL, SSDA capacitive load	$C_b$	—	400	pF	

Note 1.  $C_b$  is the total capacitance of the bus lines.

Note 2.  $t_{Pcyc}$ : For SCI11, this is the period of PCLKA, and for SCI1, 5, 6, 8, 9, and 12, this is the period of PCLKB.



**Figure 5.54 RIIC Bus Interface Input/Output Timing and Simple IIC Bus Interface Input/Output Timing**

**Table 5.39 HRPWM Timing**

Conditions:  $V_{CC} = 2.7$  to  $5.5$  V,  $V_{CC\_USB} = 2.7$  to  $5.5$  V,  $AVCC0 = AVCC1 = AVCC2 = 3.0$  to  $5.5$  V,

$V_{SS} = V_{SS\_USB} = AVSS0 = AVSS1 = AVSS2 = 0$  V,  $T_a = T_{opr}$ ,

$ICLK = 8$  to  $160$  MHz,  $PCLKA = 8$  to  $120$  MHz,  $PCLKB = 8$  to  $60$  MHz,  $PCLKC = 8$  to  $160$  MHz,  $BCLK = 8$  to  $60$  MHz,

Output load conditions:  $V_{OH} = 0.5 \times V_{CC}$ ,  $V_{OL} = 0.5 \times V_{CC}$ ,  $C = 30$  pF,

High-drive output is selected by the driving ability control register (other than for P53 to P55 and P60 to P65).

Item	Min.	Typ.	Max.	Unit	Test Conditions
Input frequency ( $f_{IN}$ )	80	—	160	MHz	
Resolution	—	195	—	ps	$f_{IN} = 160$ MHz
DNL*1	—	$\pm 2.0$	—	LSB	

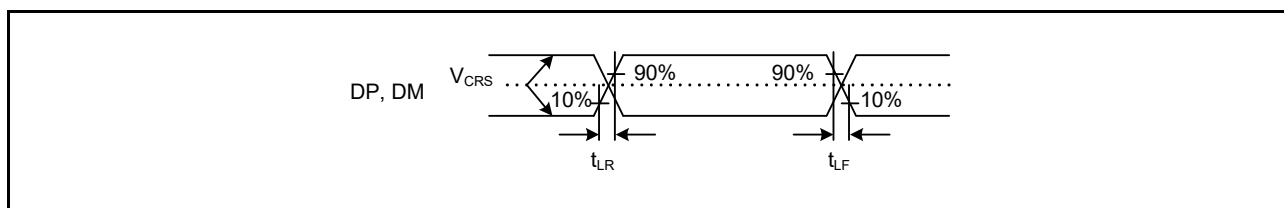
Note 1. The value is that difference from code to code normalized by the resolution (1 LSB).

### 5.5 USB Characteristics

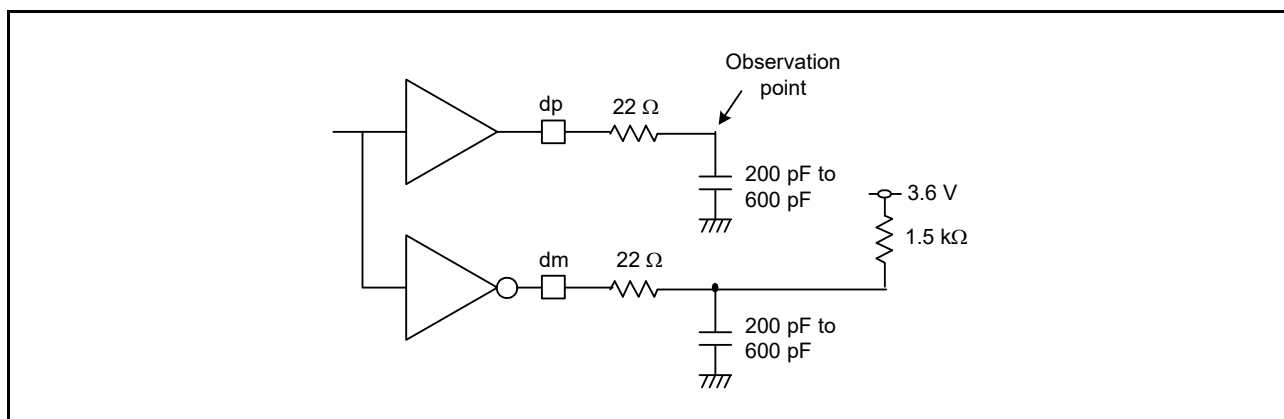
**Table 5.40 On-Chip USB Low Speed (Host Only) Characteristics (DP and DM Pin Characteristics)**

Conditions:  $V_{CC} = 2.7$  to  $5.5$  V,  $V_{CC\_USB} = 3.0$  to  $3.6$  V,  $AVCC0 = AVCC1 = AVCC2 = 3.0$  to  $5.5$  V,  
 $V_{SS} = V_{SS\_USB} = AVSS0 = AVSS1 = AVSS2 = 0$  V,  $T_a = T_{opr}$ ,  
 $UCLK = 48$  MHz,  $PCLKA = 8$  to  $120$  MHz,  $PCLKB = 8$  to  $60$  MHz

Item	Symbol	Min.	Max.	Unit	Test Conditions	
Input characteristics	Input high-level voltage	$V_{IH}$	2.0	—	V	
	Input low-level voltage	$V_{IL}$	—	0.8	V	
	Differential input sensitivity	$V_{DI}$	0.2	—	V	DP – DM
	Differential common mode range	$V_{CM}$	0.8	2.5	V	
Output characteristics	Output high-level voltage	$V_{OH}$	2.8	3.6	V	$I_{OH} = -200 \mu A$
	Output low-level voltage	$V_{OL}$	0.0	0.3	V	$I_{OL} = 2$ mA
	Cross-over voltage	$V_{CRS}$	1.3	2.0	V	Figure 5.55
	Rise time	$t_{LR}$	75	300	ns	
	Fall time	$t_{LF}$	75	300	ns	
	Rise/fall time ratio	$t_{LR} / t_{LF}$	80	125	%	$t_{LR} / t_{LF}$
Pull-down characteristics	DP/DM pull-down resistance (when the host controller function is selected)	$R_{pd}$	14.25	24.80	k $\Omega$	



**Figure 5.55 DP and DM Output Timing (Low Speed)**



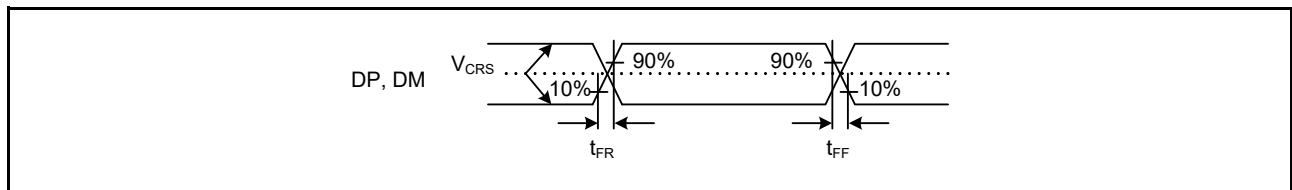
**Figure 5.56 Test Circuit (Low Speed)**



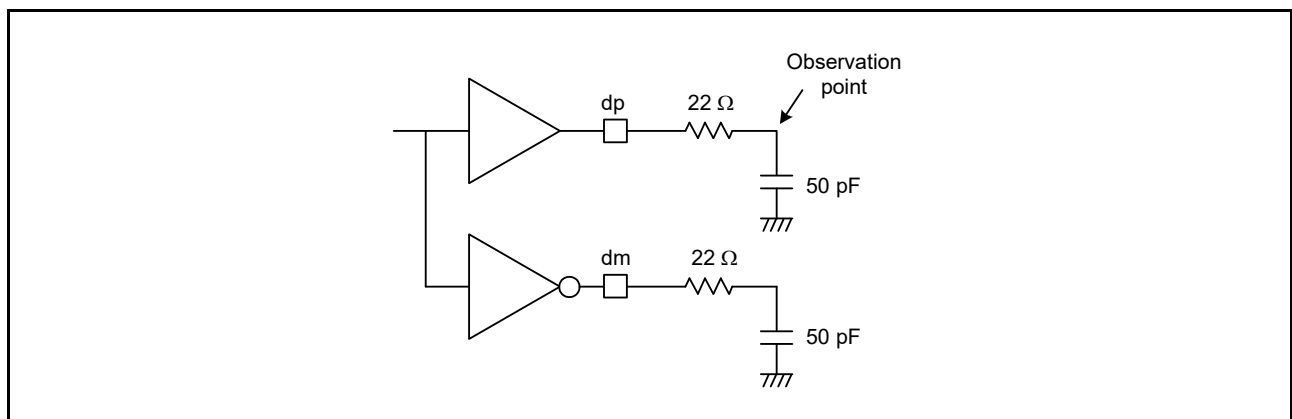
**Table 5.41 On-Chip USB Full-Speed Characteristics (DP and DM Pin Characteristics)**

Conditions:  $V_{CC} = 2.7$  to  $5.5$  V,  $V_{CC\_USB} = 3.0$  to  $3.6$  V,  $AVCC0 = AVCC1 = AVCC2 = 3.0$  to  $5.5$  V,  
 $V_{SS} = V_{SS\_USB} = AVSS0 = AVSS1 = AVSS2 = 0$  V,  $T_a = T_{opr}$ ,  
 $UCLK = 48$  MHz,  $PCLKA = 8$  to  $120$  MHz,  $PCLKB = 8$  to  $60$  MHz

	Item	Symbol	Min.	Max.	Unit	Test Conditions
Input characteristics	Input high-level voltage	$V_{IH}$	2.0	—	V	
	Input low-level voltage	$V_{IL}$	—	0.8	V	
	Differential input sensitivity	$V_{DI}$	0.2	—	V	DP – DM
	Differential common mode range	$V_{CM}$	0.8	2.5	V	
Output characteristics	Output high-level voltage	$V_{OH}$	2.8	3.6	V	$I_{OH} = -200 \mu A$
	Output low-level voltage	$V_{OL}$	0.0	0.3	V	$I_{OL} = 2$ mA
	Cross-over voltage	$V_{CRS}$	1.3	2.0	V	Figure 5.57
	Rise time	$t_{FR}$	4	20	ns	
	Fall time	$t_{FF}$	4	20	ns	
	Rise/fall time ratio	$t_{FR} / t_{FF}$	90	111.11	%	$t_{FR} / t_{FF}$
	Output resistance	$Z_{DRV}$	28	44	$\Omega$	$R_s = 22 \Omega$ included
Pull-up and pull-down characteristics	DP pull-up resistance (when the function controller function is selected)	$R_{pu}$	0.900	1.575	k $\Omega$	Idle state
			1.425	3.090	k $\Omega$	At transmission and reception
	DP/DM pull-down resistance (when the host controller function is selected)	$R_{pd}$	14.25	24.80	k $\Omega$	



**Figure 5.57 DP and DM Output Timing (Full-Speed)**



**Figure 5.58 Test Circuit (Full-Speed)**

## 5.6 A/D Conversion Characteristics

**Table 5.42 12-Bit A/D (Unit 0, 1, 2) Conversion Characteristics (1)**

Conditions:  $V_{CC} = 2.7$  to  $5.5$  V,  $V_{CC\_USB} = 2.7$  to  $5.5$  V,  $4.5$  V  $\leq$  AVCC0 = AVCC1 = AVCC2  $\leq$  5.5V,  
 $V_{SS} = V_{SS\_USB} = AV_{SS0} = AV_{SS1} = AV_{SS2} = 0$  V,  $T_a = T_{opr}$ , PCLKB = PCLKD = 8 to 60 MHz\*1

Item				Min.	Typ.	Max.	Unit	Test Conditions
Resolution				12	12	12	Bit	
Analog input capacitance				—	—	30	pF	
Conversion time*2 (Operation at PCLKD = 60 MHz) Permissible sig- nal source imped- ance (max.) = 1.0 k $\Omega$	AN000 to AN002, AN100 to AN102	Channel-dedi- cated sample-and- hold circuits in use	Constant sampling enabled	1.00	—	—	$\mu$ s	• Sampling time: 24 PCLKD
			Constant sampling disabled	1.40	—	—		• Sampling time of channel- dedicated sample-and-hold circuits: 24 PCLKD • Sampling time: 24 PCLKD
		Channel-dedicated sample- and-hold circuits not in use		0.90	—	—		• Sampling time: 30 PCLKD
	AN003 to AN006, AN103 to AN106		0.90	—	—	• Sampling time: 30 PCLKD		
	AN007, AN107, AN200 to AN211		0.95	—	—	• Sampling time: 33 PCLKD		
	AN216 to AN217		1.10	—	—	• Sampling time: 39 PCLKD		
Offset error		Channel-dedicated sample- and-hold circuits in use		—	$\pm 1.5$	$\pm 6.0$	LSB	AN000 to AN002, AN100 to AN102 = 0.2 V
		Channel-dedicated sample- and-hold circuits not in use		—	$\pm 1.5$	$\pm 5.0$		
Full-scale error		Channel-dedicated sample- and-hold circuits in use		—	$\pm 1.5$	$\pm 5.5$		AN000 to AN002 = AVCC0 – 0.2 V AN100 to AN102 = AVCC1 – 0.2 V
		Channel-dedicated sample- and-hold circuits not in use		—	$\pm 1.5$	$\pm 4.5$		
Quantization error		Channel-dedicated sample- and-hold circuits in use		—	$\pm 0.5$	—		
		Channel-dedicated sample- and-hold circuits not in use		—	$\pm 0.5$	—		
Absolute accu- racy	AN000 to AN002, AN100 to AN102	Channel-dedicated sample- and-hold circuits in use		—	$\pm 3.0$	$\pm 6.0$		
		Channel-dedicated sample- and-hold circuits not in use		—	$\pm 2.5$	$\pm 5.5$		
	AN003 to AN007, AN103 to AN107		—	$\pm 2.5$	$\pm 5.5$			
	AN200 to AN211		—	$\pm 2.5$	$\pm 5.5$			
	AN216 to AN217		—	$\pm 2.5$	$\pm 6.5$			
DNL differential nonlinearity error		Channel-dedicated sample- and-hold circuits in use		—	$\pm 1.0$	$\pm 2.5$		
		Channel-dedicated sample- and-hold circuits not in use		—	$\pm 1.0$	$\pm 1.5$		
INL integral nonlinearity error		Channel-dedicated sample- and-hold circuits in use		—	$\pm 1.5$	$\pm 4.0$		
		Channel-dedicated sample- and-hold circuits not in use		—	$\pm 1.5$	$\pm 2.5$		
Holding time of the channel-dedicated sample-and-hold circuit				—	—	20	$\mu$ s	
Dynamic range	AN000 to AN002	Channel-dedicated sample- and-hold circuits in use		0.2	—	AVCC0 – 0.2	V	
	AN100 to AN102	Channel-dedicated sample- and-hold circuits in use		0.2	—	AVCC1 – 0.2		

Note: The above specification values apply when there is no access to the external bus during A/D conversion. If access proceeds during A/D conversion, values may not fall within the above ranges.

- Note 1. The values were also obtained with 0.1- $\mu$ F and 1000- $\mu$ F capacitors added between the AVCCn and AVSSn pins (n = 0, 1, and 2).  
 Note 2. The conversion time is the sum of the sampling time and the comparison time. The numbers of sampling-clock cycles are indicated as the test conditions.

**Table 5.43 12-Bit A/D (Unit 0, 1, 2) Conversion Characteristics (2)**

Conditions:  $V_{CC} = 2.7$  to  $4.5$  V,  $V_{CC\_USB} = 2.7$  to  $4.5$  V,  $3.0$  V  $\leq$  AVCC0 = AVCC1 = AVCC2 <  $4.5$  V,  
 $V_{SS} = V_{SS\_USB} = AVSS0 = AVSS1 = AVSS2 = 0$  V,  $T_a = T_{opr}$ , PCLKB = PCLKD = 8 to 40 MHz

Item				Min.	Typ.	Max.	Unit	Test Conditions
Resolution				12	12	12	Bit	
Analog input capacitance				—	—	30	pF	
Conversion time*1 (Operation at PCLKD = 40 MHz) Permissible signal source impedance (max.) = 1.0 k $\Omega$	AN000 to AN002, AN100 to AN102	Channel-dedicated sample-and-hold circuits in use	Constant sampling enabled	1.35	—	—	$\mu$ s	• Sampling time: 18 PCLKD
			Constant sampling disabled	1.80	—	—		• Sampling time of channel-dedicated sample-and-hold circuits: 18 PCLKD • Sampling time: 18 PCLKD
	Channel-dedicated sample-and-hold circuits not in use		1.15	—	—	• Sampling time: 21 PCLKD		
	AN003 to AN006, AN103 to AN106			1.15	—	—		• Sampling time: 21 PCLKD
	AN007, AN107, AN200 to AN211			1.20	—	—		• Sampling time: 24 PCLKD
	AN216 to AN217			1.30	—	—		• Sampling time: 27 PCLKD
	Offset error				—	$\pm 1.5$		$\pm 7.5$
		Channel-dedicated sample-and-hold circuits not in use	—	$\pm 1.5$	$\pm 6.5$			
Full-scale error				—	$\pm 1.5$	$\pm 7.5$		AN000 to AN002 = AVCC0 – 0.2 V AN100 to AN102 = AVCC1 – 0.2 V
		Channel-dedicated sample-and-hold circuits not in use	—	$\pm 1.5$	$\pm 6.5$			
Quantization error				—	$\pm 0.5$	—		
		Channel-dedicated sample-and-hold circuits not in use	—	$\pm 0.5$	—			
Absolute accuracy	AN000 to AN002, AN100 to AN102	Channel-dedicated sample-and-hold circuits in use	—	$\pm 4.0$	$\pm 8.0$			
		Channel-dedicated sample-and-hold circuits not in use	—	$\pm 2.5$	$\pm 7.0$			
	AN003 to AN007, AN103 to AN107			—	$\pm 2.5$	$\pm 7.0$		
	AN200 to AN211			—	$\pm 2.5$	$\pm 7.0$		
	AN216 to AN217			—	$\pm 2.5$	$\pm 8.0$		
DNL differential nonlinearity error				—	$\pm 1.0$	$\pm 4.5$		
		Channel-dedicated sample-and-hold circuits not in use	—	$\pm 1.0$	$\pm 3.5$			
INL integral nonlinearity error				—	$\pm 2.0$	$\pm 5.0$		
		Channel-dedicated sample-and-hold circuits not in use	—	$\pm 1.5$	$\pm 3.5$			
Channel-dedicated sample-and-hold characteristics of hold circuits				—	—	20	$\mu$ s	
Dynamic range	AN000 to AN002	Channel-dedicated sample-and-hold circuits in use	0.2	—	AVCC0 – 0.2	V		
	AN100 to AN102	Channel-dedicated sample-and-hold circuits in use	0.2	—	AVCC1 – 0.2			

Note: The above specification values apply when there is no access to the external bus during A/D conversion. If access proceeds

during A/D conversion, values may not fall within the above ranges.

Note 1. The conversion time is the sum of the sampling time and the comparison time. The numbers of sampling-clock cycles are indicated as the test conditions.

**Table 5.44 A/D Internal Reference Voltage Characteristics**

Conditions:  $VCC = 2.7$  to  $5.5$  V,  $VCC\_USB = 2.7$  to  $5.5$  V,  $AVCC0 = AVCC1 = AVCC2 = 3.0$  to  $5.5$  V,  
 $VSS = VSS\_USB = AVSS0 = AVSS1 = AVSS2 = 0$  V,  $T_a = T_{opr}$ ,  $PCLKB = PCLKD = 8$  to  $60$  MHz

Item	Min.	Typ.	Max.	Unit	Test Conditions
A/D internal reference voltage	1.20	1.25	1.30	V	

Note: The above specification values apply during normal operations.

## 5.7 Programmable Gain Amplifier Characteristics

**Table 5.45 Programmable Gain Amplifier Characteristics (single-ended input)**

Conditions:  $V_{CC} = 2.7$  to  $5.5$  V,  $V_{CC\_USB} = 2.7$  to  $5.5$  V,  $AVCC0 = AVCC1 = AVCC2 = 3.0$  to  $5.5$  V,  
 $V_{SS} = V_{SS\_USB} = AVSS0 = AVSS1 = AVSS2 = 0$  V,  $T_a = T_{opr}$

Item	Symbol	Min.	Typ.	Max.	Unit	Test Conditions
Input offset voltage	$V_{IO}$	—	3	8	mV	
Single-ended input voltage range	$V_{ISR}$	$V_{OSR}(\text{min})/G$	—	$V_{OSR}(\text{min})/G$	V	
Single-ended output voltage range	$V_{OSR}$	$0.10 \times AVCCn$	—	$0.90 \times AVCCn$		G = 2.000 to 3.636
		$0.15 \times AVCCn$	—	$0.85 \times AVCCn$		G = 4.000 to 6.667
		$0.20 \times AVCCn$	—	$0.80 \times AVCCn$		G = 8.000 to 20.000
Gain	G	2.000	—	20.000	Linear gain	
Gain error	$E_G$	—	$\pm 0.5$	$\pm 2.0$	%	G = 2.000
		—	$\pm 0.5$	$\pm 2.0$		G = 2.500
		—	$\pm 0.5$	$\pm 2.0$		G = 3.077
		—	$\pm 0.5$	$\pm 2.0$		G = 3.636
		—	$\pm 0.6$	$\pm 2.0$		G = 4.000
		—	$\pm 0.6$	$\pm 2.0$		G = 4.444
		—	$\pm 0.7$	$\pm 2.0$		G = 5.000
		—	$\pm 0.7$	$\pm 3.0$		G = 6.667
		—	$\pm 0.7$	$\pm 3.0$		G = 8.000
		—	$\pm 0.7$	$\pm 4.0$		G = 10.000
		—	$\pm 1.1$	$\pm 4.0$		G = 13.333
—	$\pm 1.3$	$\pm 4.0$	G = 20.000			
Slew rate	SR	10	—	—	V/ $\mu$ s	
Operation stabilization time	$t_{start}$	—	—	5	$\mu$ s	

n = 0 and 1

**Table 5.46 Programmable Gain Amplifier Characteristics (pseudo-differential input)**

Conditions:  $V_{CC} = 2.7$  to  $5.5$  V,  $V_{CC\_USB} = 2.7$  to  $5.5$  V,  $AVCC0 = AVCC1 = AVCC2 = 3.0$  to  $5.5$  V,  
 $V_{SS} = V_{SS\_USB} = AVSS0 = AVSS1 = AVSS2 = 0$  V,  $T_a = T_{opr}$

Item	Symbol	Min.	Typ.	Max.	Unit	Test Conditions*1
Input offset voltage	$V_{IO}$	—	10	20	mV	
Differential input voltage range	$V_{IDR}$	$-0.28 \times AVCCn / G$	—	$0.28 \times AVCCn / G$	V	
Differential output voltage range	$V_{ODR}$	$0.22 \times AVCC$	—	$0.78 \times AVCC$		
Input voltage range (PGAVSS)	$V_{I(PGAVSS)}$	-0.5	—	0.3		
Gain error	$E_G$	—	$\pm 0.5$	$\pm 2.0$	%	G = 1.500
		—	$\pm 0.5$	$\pm 2.0$		G = 4.000
		—	$\pm 0.8$	$\pm 3.0$		G = 7.000
		—	$\pm 1.2$	$\pm 4.0$		G = 12.333
Slew rate	SR	10	—	—	V/ $\mu$ s	
Operation stabilization time	$t_{start}$	—	—	5	$\mu$ s	

n = 0 and 1

Note 1. When  $AVCC0 = AVCC1 = AVCC2 \geq 4.0$  V,  $VOLSR.PGAVLS = 0$   
 When  $AVCC0 = AVCC1 = AVCC2 < 4.0$  V,  $VOLSR.PGAVLS = 1$

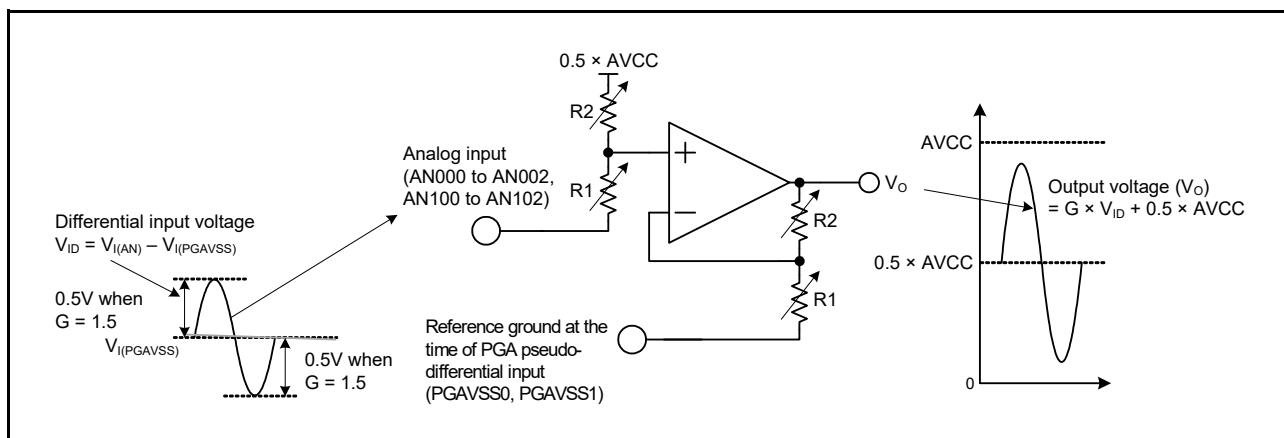


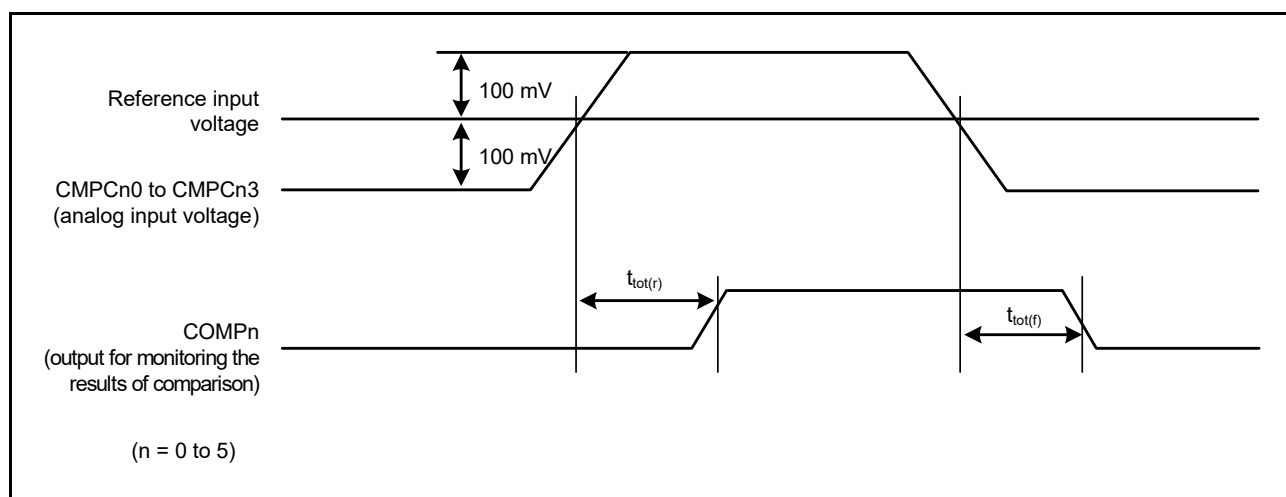
Figure 5.59 Input and Output Signal Levels with the PGA's Pseudo-Differential Setting

### 5.8 Comparator Characteristics

**Table 5.47 Comparator Characteristics**

Conditions: VCC = 2.7 to 5.5 V, VCC\_USB = 2.7 to 5.5 V, AVCC0 = AVCC1 = AVCC2 = 3.0 to 5.5V,  
 VSS = VSS\_USB = AVSS0 = AVSS1 = AVSS2 = 0 V, T<sub>a</sub> = T<sub>opr</sub>

Item	Symbol	Min.	Typ.	Max.	Unit	Test Conditions
Input offset voltage	V <sub>IO</sub>	—	8	40	mV	
Reference input voltage range	V <sub>ref</sub>	0	—	AVCC1	V	CMPSEL1.CVRS[3:0] = 0100b, 1000b
		0	—	AVCC2		CMPSEL1.CVRS[3:0] = 0001b, 0010b
Response time	t <sub>tot(r)</sub>	—	—	200	ns	VOD = 100 mV CMPCTL.CDFS = 0
	t <sub>tot(f)</sub>	—	—	200		
Waiting time for stabilization following switching of the input	t <sub>cwait</sub>	300	—	—		
Operation stabilization time	t <sub>cmp</sub>	—	—	1	μs	



**Figure 5.60 Comparator Response Time**

## 5.9 D/A Conversion Characteristics

**Table 5.48 D/A Conversion Characteristics**

Conditions:  $V_{CC} = 2.7$  to  $5.5$  V,  $V_{CC\_USB} = 2.7$  to  $5.5$  V,  $AVCC0 = AVCC1 = AVCC2 = 3.0$  to  $5.5$  V,  
 $V_{SS} = V_{SS\_USB} = AVSS0 = AVSS1 = AVSS2 = 0$  V,  $T_a = T_{opr}$

Item	Min.	Typ.	Max.	Unit	Test Conditions
Resolution	12	12	12	Bit	
Absolute accuracy	—	—	±6.0	LSB	2-MΩ resistive load, 10-bit conversion
Differential nonlinearity error (DNL)	—	±1.0	±2.0	LSB	2-MΩ resistive load
Output resistance ( $R_o$ )	—	5.7	—	kΩ	
Conversion time	—	—	3	μs	20-pF capacitive load

## 5.10 Temperature Sensor Characteristics

**Table 5.49 Temperature Sensor Characteristics**

Conditions:  $V_{CC} = 2.7$  to  $5.5$  V,  $V_{CC\_USB} = 2.7$  to  $5.5$  V,  $AVCC0 = AVCC1 = AVCC2 = 3.0$  to  $5.5$  V,  
 $V_{SS} = V_{SS\_USB} = AVSS0 = AVSS1 = AVSS2 = 0$  V,  $T_a = T_{opr}$ ,  
 $PCLKB = PCLKD = 8$  to  $60$  MHz

Item	Min.	Typ.	Max.	Unit	Test Conditions
Relative accuracy	—	±1.0	—	°C	
Temperature slope	—	-2.0	—	mV/°C	
Output voltage	—	0.63	—	V	$T_a = 25^\circ\text{C}$
Temperature sensor start time	—	—	200	μs	
Sampling time*1	3	—	—	μs	

Note 1. Set the S12AD2.ADSSTR register such that the sampling time of the 12-bit A/D converter satisfies this specification.



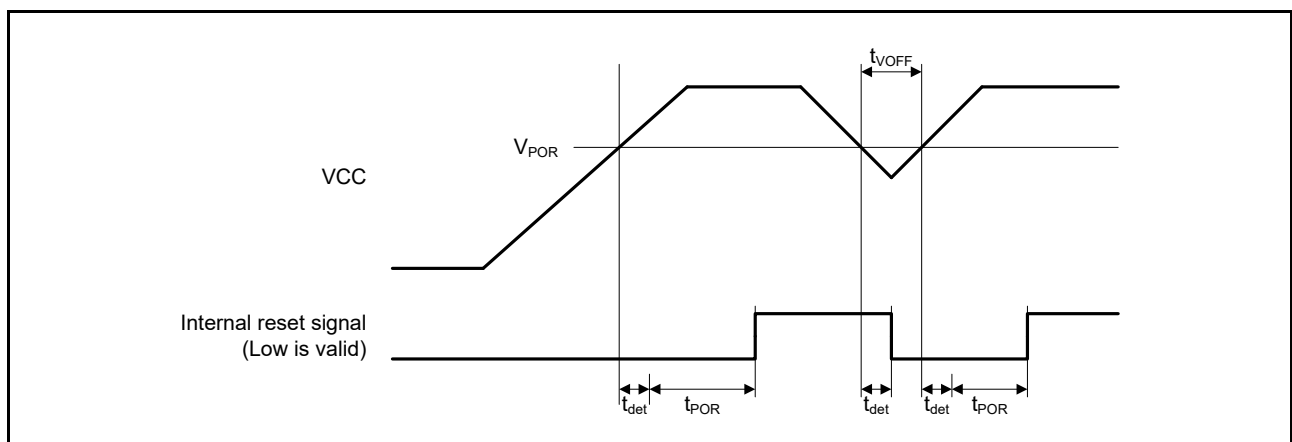
5.11 Power-on Reset Circuit and Voltage Detection Circuit Characteristics

**Table 5.50 Power-on Reset Circuit and Voltage Detection Circuit Characteristics**

Conditions: VCC = 2.7 to 5.5 V, VCC\_USB = 2.7 to 5.5 V, AVCC0 = AVCC1 = AVCC2 = 3.0 to 5.5V,  
VSS = VSS\_USB = AVSS0 = AVSS1 = AVSS2 = 0 V, T<sub>a</sub> = T<sub>opr</sub>

Item	Symbol	Min.	Typ.	Max.	Unit	Test Conditions		
Voltage detection level	Power-on reset (POR)	V <sub>POR</sub>	2.46	2.58	2.70	V	Figure 5.61	
	Voltage detection circuit (LVD0)	V <sub>det0_1</sub>	4.04	4.22	4.40		Figure 5.62	
		V <sub>det0_2</sub>	2.71	2.83	2.95			
	Voltage detection circuit (LVD1)	V <sub>det1_0</sub>	4.39	4.57	4.75		Figure 5.63	
		V <sub>det1_1</sub>	4.29	4.47	4.65			
		V <sub>det1_2</sub>	4.14	4.32	4.50			
		V <sub>det1_3</sub>	2.81	2.93	3.05			
		V <sub>det1_4</sub>	2.76	2.88	3.00			
	Voltage detection circuit (LVD2)	V <sub>det2_0</sub>	4.39	4.57	4.75		Figure 5.64	
		V <sub>det2_1</sub>	4.29	4.47	4.65			
		V <sub>det2_2</sub>	4.14	4.32	4.50			
		V <sub>det2_3</sub>	2.81	2.93	3.05			
		V <sub>det2_4</sub>	2.76	2.88	3.00			
	Internal reset time	Power-on reset time	t <sub>POR</sub>	—	13.7	—	ms	Figure 5.61
		LVD0 reset time	t <sub>LVD0</sub>	—	0.70	—		Figure 5.62
LVD1 reset time		t <sub>LVD1</sub>	—	0.57	—		Figure 5.63	
LVD2 reset time		t <sub>LVD2</sub>	—	0.57	—		Figure 5.64	
Minimum VCC down time	t <sub>VOFF</sub>	200	—	—	μs	Figure 5.61, Figure 5.62		
Response delay time	t <sub>det</sub>	—	—	200	μs	Figure 5.61 to Figure 5.64		
LVD operation stabilization time (after LVD is enabled)	T <sub>d(E-A)</sub>	—	—	20	μs	Figure 5.63, Figure 5.64		
Hysteresis width (LVD1 and LVD2)	V <sub>LVH</sub>	—	80	—	mV			

Note: The minimum VCC down time indicates the time when VCC is below the minimum value of voltage detection levels V<sub>POR</sub>, V<sub>det1</sub>, and V<sub>det2</sub> for the POR/ LVD.



**Figure 5.61 Power-on Reset Timing**

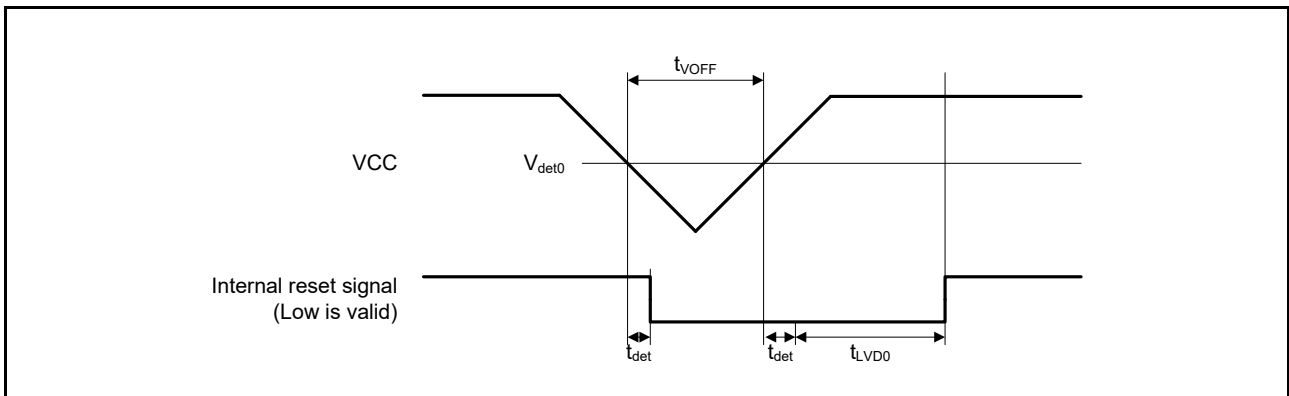


Figure 5.62 Voltage Detection Circuit Timing ( $V_{det0}$ )

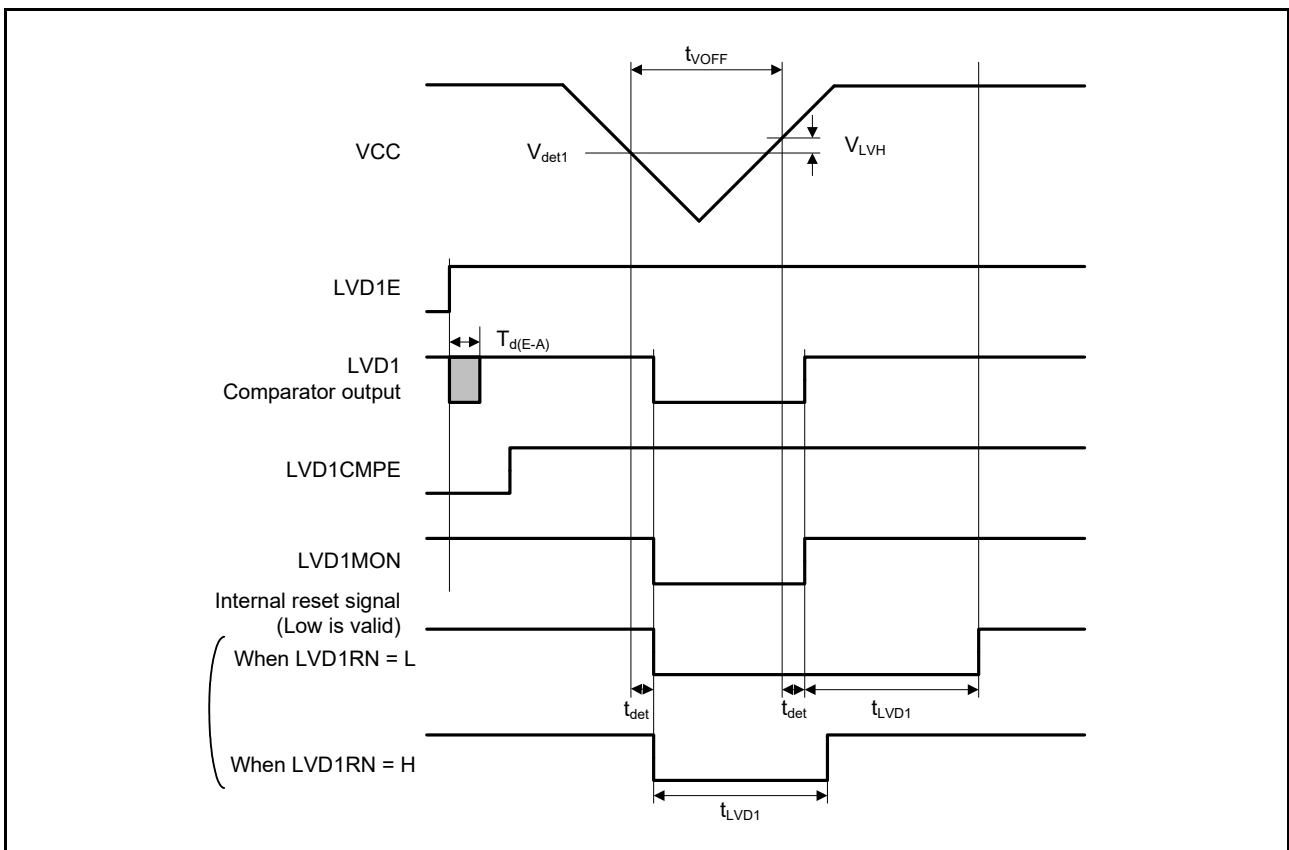


Figure 5.63 Voltage Detection Circuit Timing ( $V_{det1}$ )

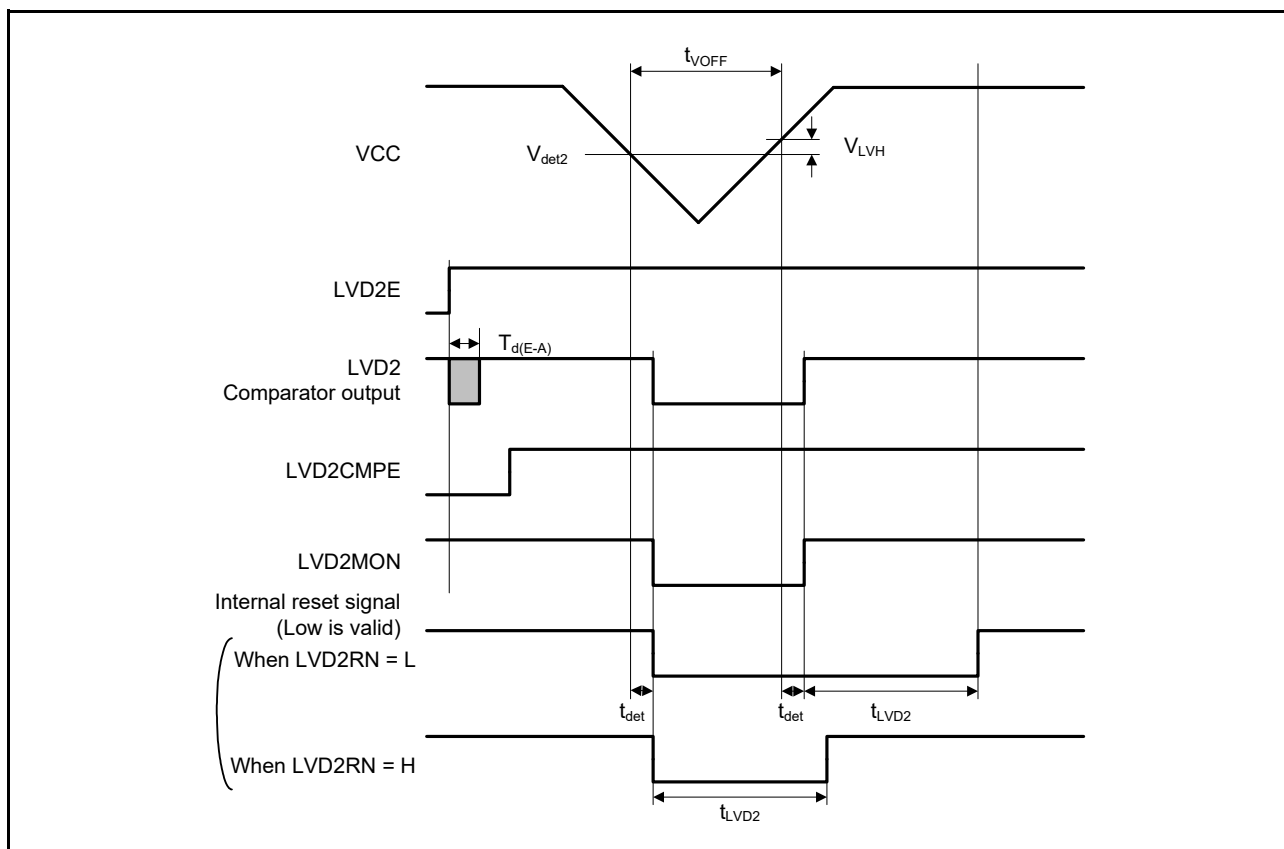


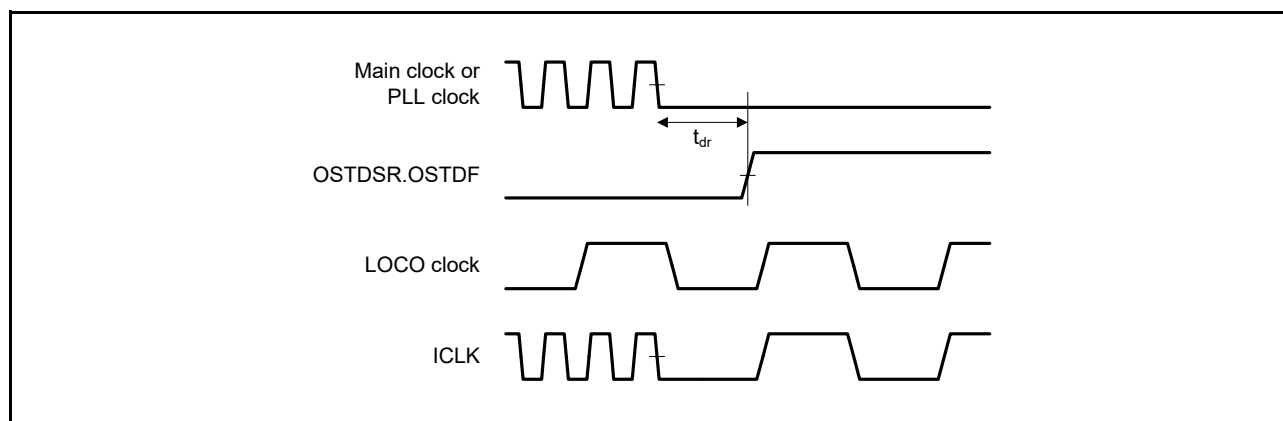
Figure 5.64 Voltage Detection Circuit Timing (V<sub>det2</sub>)

### 5.12 Oscillation Stop Detection Timing

**Table 5.51 Oscillation Stop Detection Circuit Characteristics**

Conditions: VCC = 2.7 to 5.5 V, VCC\_USB = 2.7 to 5.5 V, AVCC0 = AVCC1 = AVCC2 = 3.0 to 5.5V,  
 VSS = VSS\_USB = AVSS0 = AVSS1 = AVSS2 = 0 V, T<sub>a</sub> = T<sub>opr</sub>

Item	Symbol	Min.	Typ.	Max.	Unit	Test Conditions
Detection time	t <sub>dr</sub>	—	—	1	ms	Figure 5.65



**Figure 5.65 Oscillation Stop Detection Timing**

## 5.13 Flash Memory Characteristics

**Table 5.52 Code Flash Memory Characteristics**

Conditions: VCC = 2.7 to 5.5 V, VCC\_USB = 2.7 to 5.5 V, AVCC0 = AVCC1 = AVCC2 = 3.0 to 5.5V,  
VSS = VSS\_USB = AVSS0 = AVSS1 = AVSS2 = 0 V,  
Temperature range for program/erase: T<sub>a</sub> = T<sub>opr</sub>

Item	Symbol	FCLK = 4 MHz			20 MHz ≤ FCLK ≤ 60 MHz			Unit	
		Min.	Typ.	Max.	Min.	Typ.	Max.		
Program time (N <sub>PEC</sub> ≤ 100 cycles)	256 bytes	t <sub>P256</sub>	—	0.9	13.2	—	0.4	6	ms
	8 Kbytes	t <sub>P8K</sub>	—	29	176	—	13	80	
	32 Kbytes	t <sub>P32K</sub>	—	116	704	—	52	320	
Program time (N <sub>PEC</sub> > 100 cycles)	256 bytes	t <sub>P256</sub>	—	1.1	15.8	—	0.5	7.2	
	8 Kbytes	t <sub>P8K</sub>	—	35	212	—	16	96	
	32 Kbytes	t <sub>P32K</sub>	—	140	848	—	64	384	
Erase time (N <sub>PEC</sub> ≤ 100 cycles)	8 Kbytes	t <sub>E8K</sub>	—	71	216	—	39	120	
	32 Kbytes	t <sub>E32K</sub>	—	254	864	—	141	480	
Erase time (N <sub>PEC</sub> > 100 cycles)	8 Kbytes	t <sub>E8K</sub>	—	85	260	—	47	144	
	32 Kbytes	t <sub>E32K</sub>	—	304	1040	—	169	576	
Program/erase cycles*1	N <sub>PEC</sub>	1000*2	—	—	1000*2	—	—	Cycles	
Program suspend latency	t <sub>SPD</sub>	—	—	264	—	—	120	μs	
Primary erase suspend latency in suspend priority mode	t <sub>SESD1</sub>	—	—	216	—	—	120		
Secondary erase suspend latency in suspend priority mode	t <sub>SESD2</sub>	—	—	1.7	—	—	1.7	ms	
Erase suspend latency in erase priority mode	t <sub>SEED</sub>	—	—	1.7	—	—	1.7		
Forced stop command	t <sub>FD</sub>	—	—	32	—	—	20	μs	
Data retention*3	t <sub>DRP</sub>	10	—	—	10	—	—	Year	

Note 1. Definition of program/erase cycle:

The program/erase cycle is the number of erasing for each block. When the number of program/erase cycles is n, each block can be erased n times. For instance, when 256-byte program is performed 32 times for different addresses in 8-Kbyte block and then the block is erased, the program/erase cycle is counted as one. However, the same address cannot be programmed more than once before the next erase cycle (overwriting is prohibited).

Note 2. Characteristics are degraded as the number of program/erase increases. This is the minimum value of program/erase cycles to guarantee all characteristics listed in this table.

Note 3. This shows the characteristic when the program/erase cycle does not exceed the specified value.

**Table 5.53 Data Flash Memory Characteristics**

Conditions: VCC = 2.7 to 5.5 V, VCC\_USB = 2.7 to 5.5 V, AVCC0 = AVCC1 = AVCC2 = 3.0 to 5.5V,  
 VSS = VSS\_USB = AVSS0 = AVSS1 = AVSS2 = 0 V,  
 Temperature range for program/erase: T<sub>a</sub> = T<sub>opr</sub>

Item	Symbol	FCLK = 4 MHz			20 MHz ≤ FCLK ≤ 60 MHz			Unit	
		Min.	Typ.	Max.	Min.	Typ.	Max.		
Program time	4 bytes	t <sub>DP4</sub>	—	0.36	3.8	—	0.16	1.7	ms
Erase time	64 bytes	t <sub>DE64</sub>	—	3.1	18	—	1.7	10	
Blank check time	4 bytes	t <sub>DBC4</sub>	—	—	84	—	—	30	μs
	64 bytes	t <sub>DBC64</sub>	—	—	280	—	—	100	
	2 Kbytes	t <sub>DBC2K</sub>	—	—	6160	—	—	2200	
Program/erase cycles*1		N <sub>DPEC</sub>	100000*2	—	—	100000*2	—	—	Cycles
Program suspend latency		t <sub>DSPD</sub>	—	—	264	—	—	120	μs
Primary erase suspend latency in suspend priority mode		t <sub>DSESD1</sub>	—	—	216	—	—	120	
Secondary erase suspend latency in suspend priority mode		t <sub>DSESD2</sub>	—	—	300	—	—	300	
Erase suspend latency in erase priority mode		t <sub>DSEED</sub>	—	—	300	—	—	300	
Forced stop command		t <sub>FD</sub>	—	—	32	—	—	20	
Data retention*3		t <sub>DDRP</sub>	10	—	—	10	—	—	Year

Note 1. Definition of program/erase cycle:

The program/erase cycle is the number of erasing for each block. When the number of program/erase cycles is n, each block can be erased n times. For instance, when 4-byte program is performed 512 times for different addresses in 2-Kbyte block and then the block is erased, the program/erase cycle is counted as one. However, the same address cannot be programmed more than once before the next erase cycle (overwriting is prohibited).

Note 2. Characteristics are degraded as the number of program/erase increases. This is the minimum value of program/erase cycles to guarantee all characteristics listed in this table.

Note 3. This shows the characteristic when the program/erase cycle does not exceed the specified value.

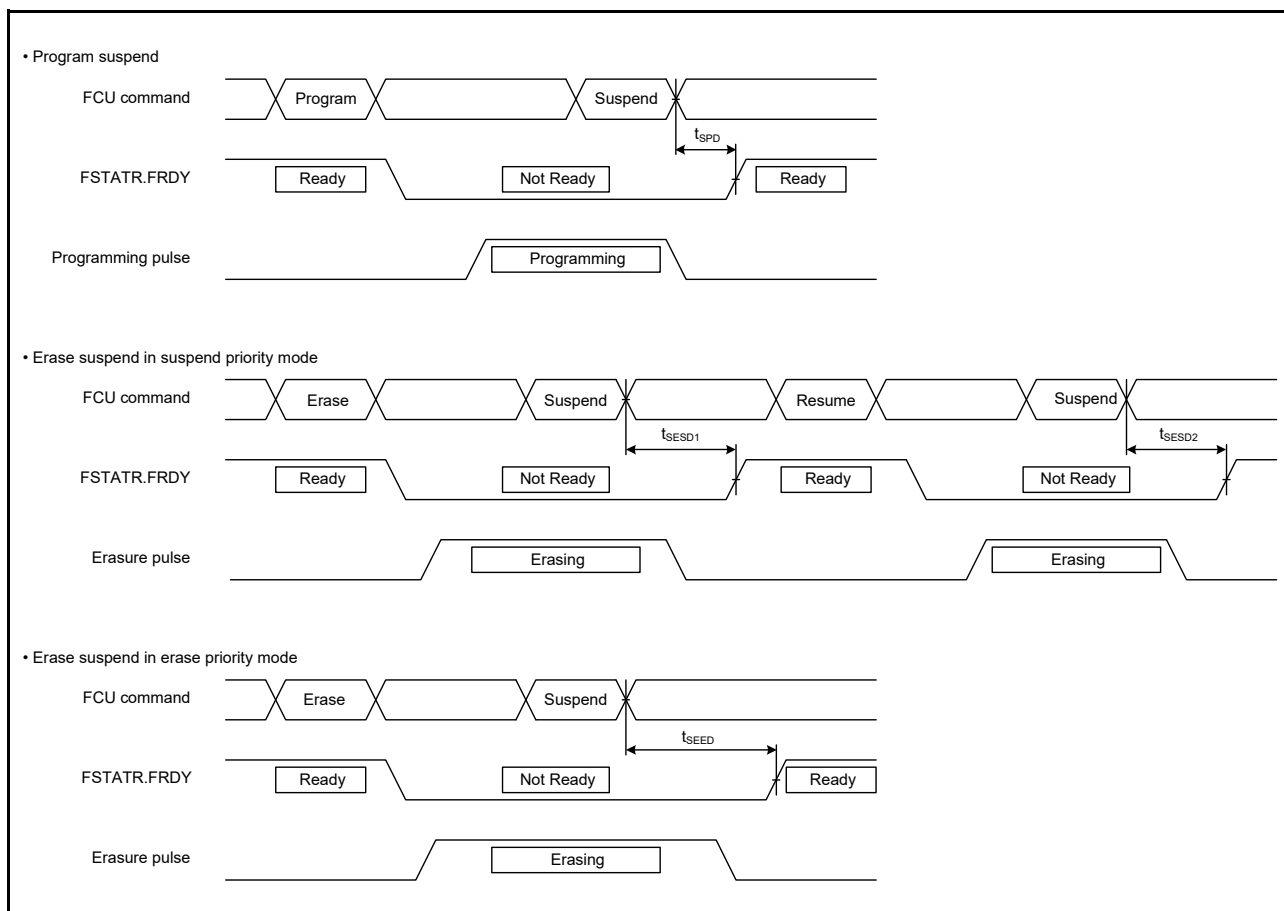


Figure 5.66 Flash Memory Program/Erase Suspend Timing

### Appendix 1. Package Dimensions

Information on the latest version of the package dimensions or mountings has been displayed in “Packages” on Renesas Electronics Corporation website.

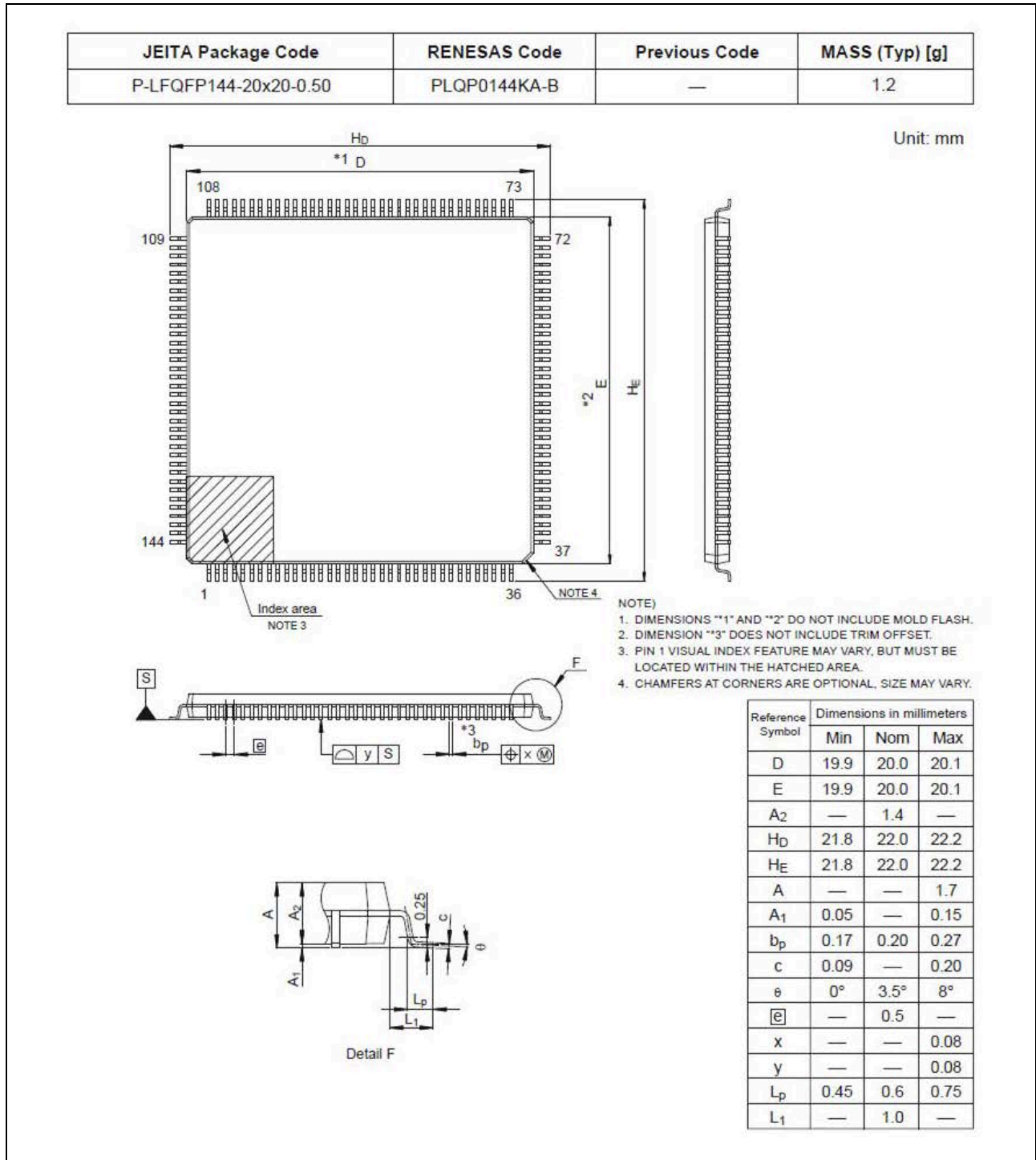


Figure A 144-Pin LFQFP (PLQP0144KA-B)



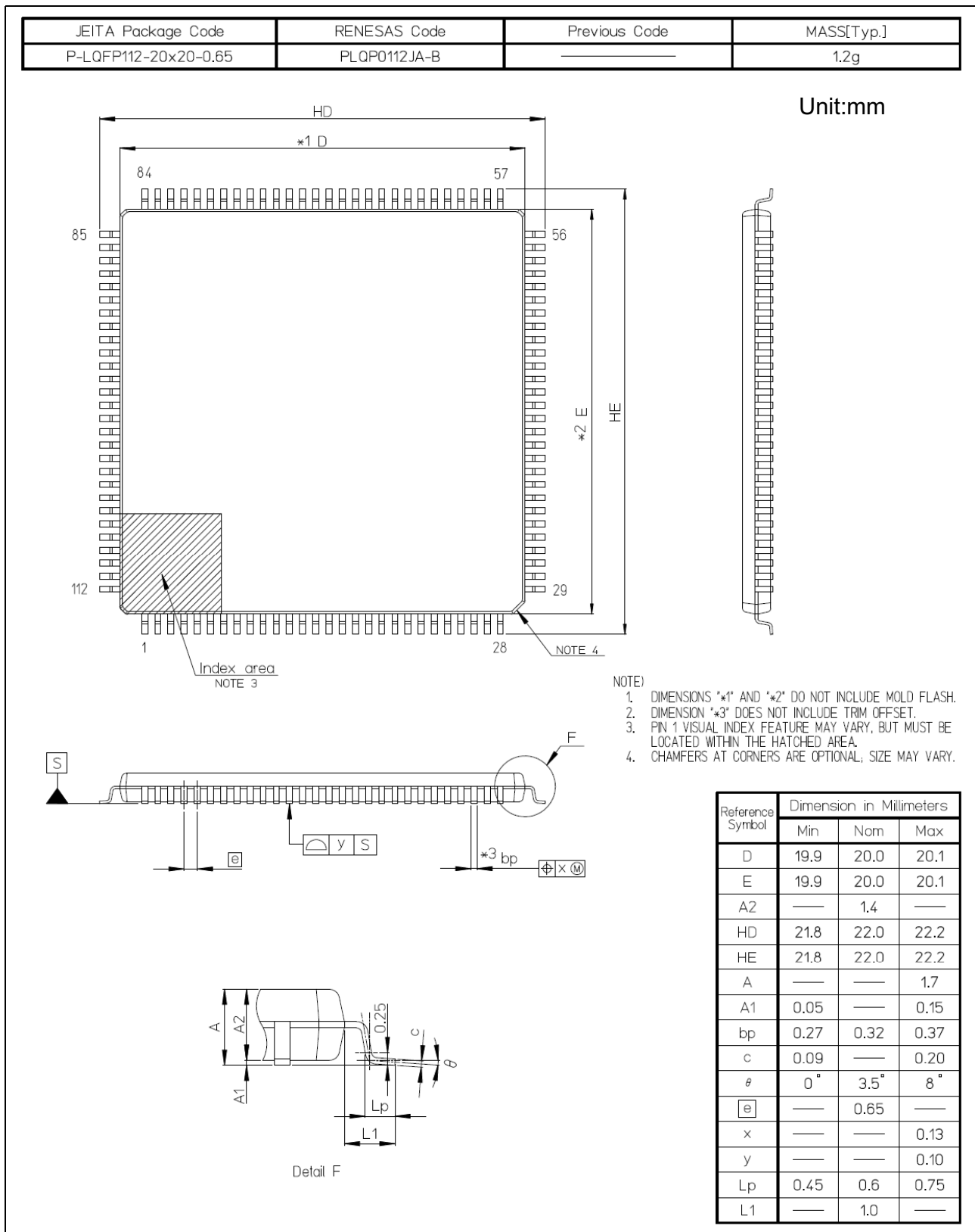
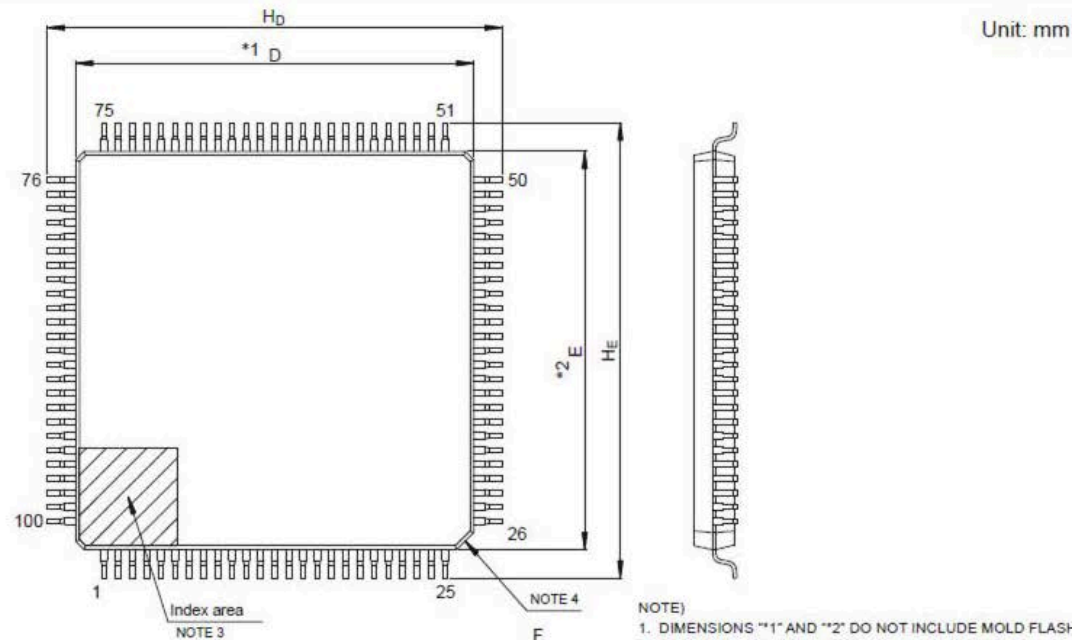
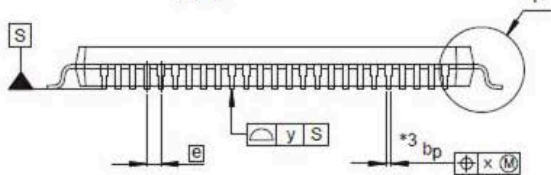


Figure B 112-Pin LQFP (PLQP0112JA-B)

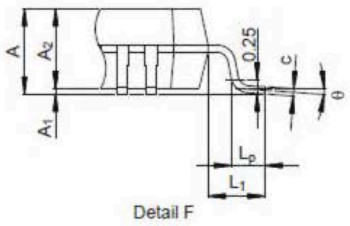
JEITA Package Code	RENESAS Code	Previous Code	MASS (Typ) [g]
P-LFQFP100-14x14-0.50	PLQP0100KB-B	—	0.6



Unit: mm



- NOTE)
1. DIMENSIONS \*\*1\* AND \*\*2\* DO NOT INCLUDE MOLD FLASH.
  2. DIMENSION \*\*3\* DOES NOT INCLUDE TRIM OFFSET.
  3. PIN 1 VISUAL INDEX FEATURE MAY VARY, BUT MUST BE LOCATED WITHIN THE HATCHED AREA.
  4. CHAMFERS AT CORNERS ARE OPTIONAL, SIZE MAY VARY.



Reference Symbol	Dimensions in millimeters		
	Min	Nom	Max
D	13.9	14.0	14.1
E	13.9	14.0	14.1
A <sub>2</sub>	—	1.4	—
H <sub>D</sub>	15.8	16.0	16.2
H <sub>E</sub>	15.8	16.0	16.2
A	—	—	1.7
A <sub>1</sub>	0.05	—	0.15
b <sub>p</sub>	0.15	0.20	0.27
c	0.09	—	0.20
θ	0°	3.5°	8°
e	—	0.5	—
x	—	—	0.08
y	—	—	0.08
L <sub>p</sub>	0.45	0.6	0.75
L <sub>1</sub>	—	1.0	—

Figure C 100-Pin LFQFP (PLQP0100KB-B)

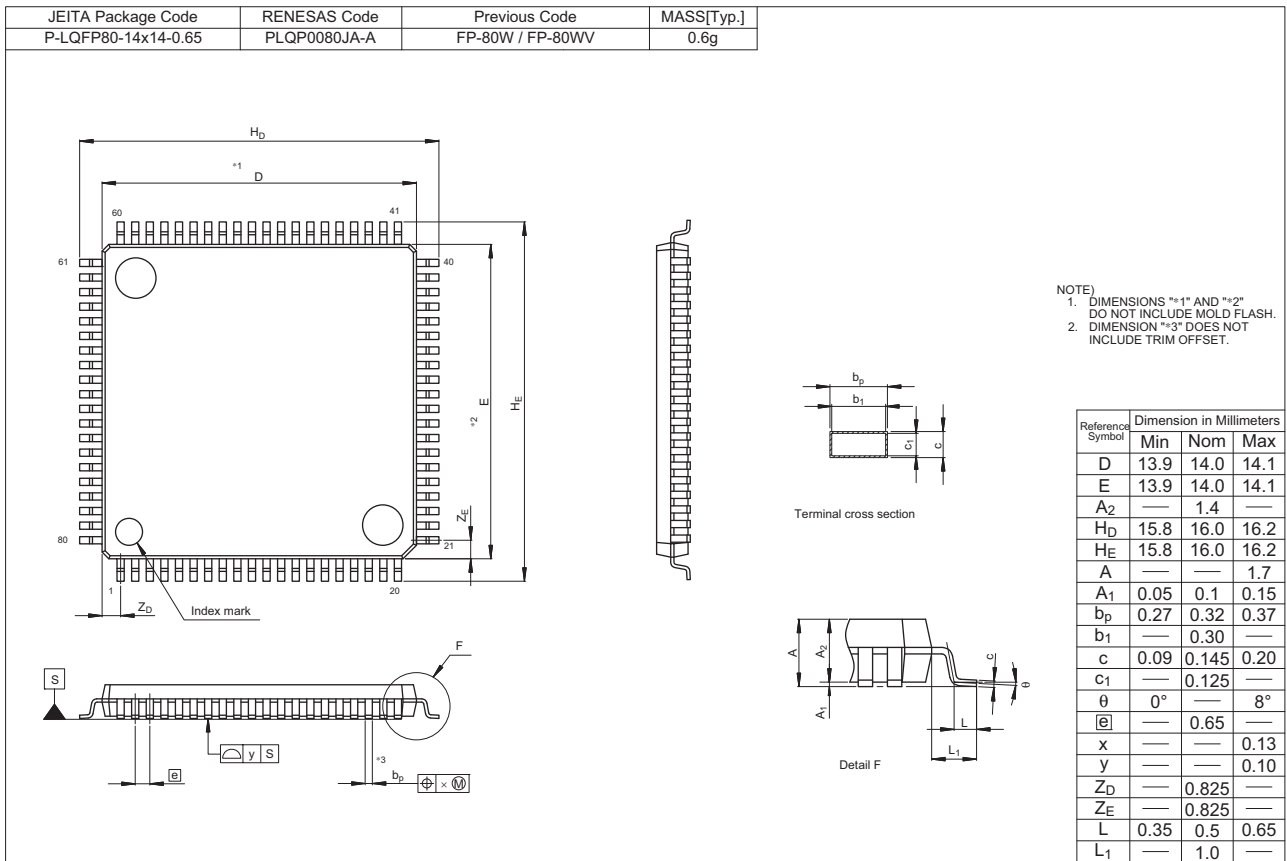


Figure D 80-Pin LQFP (PLQP0080JA-A)

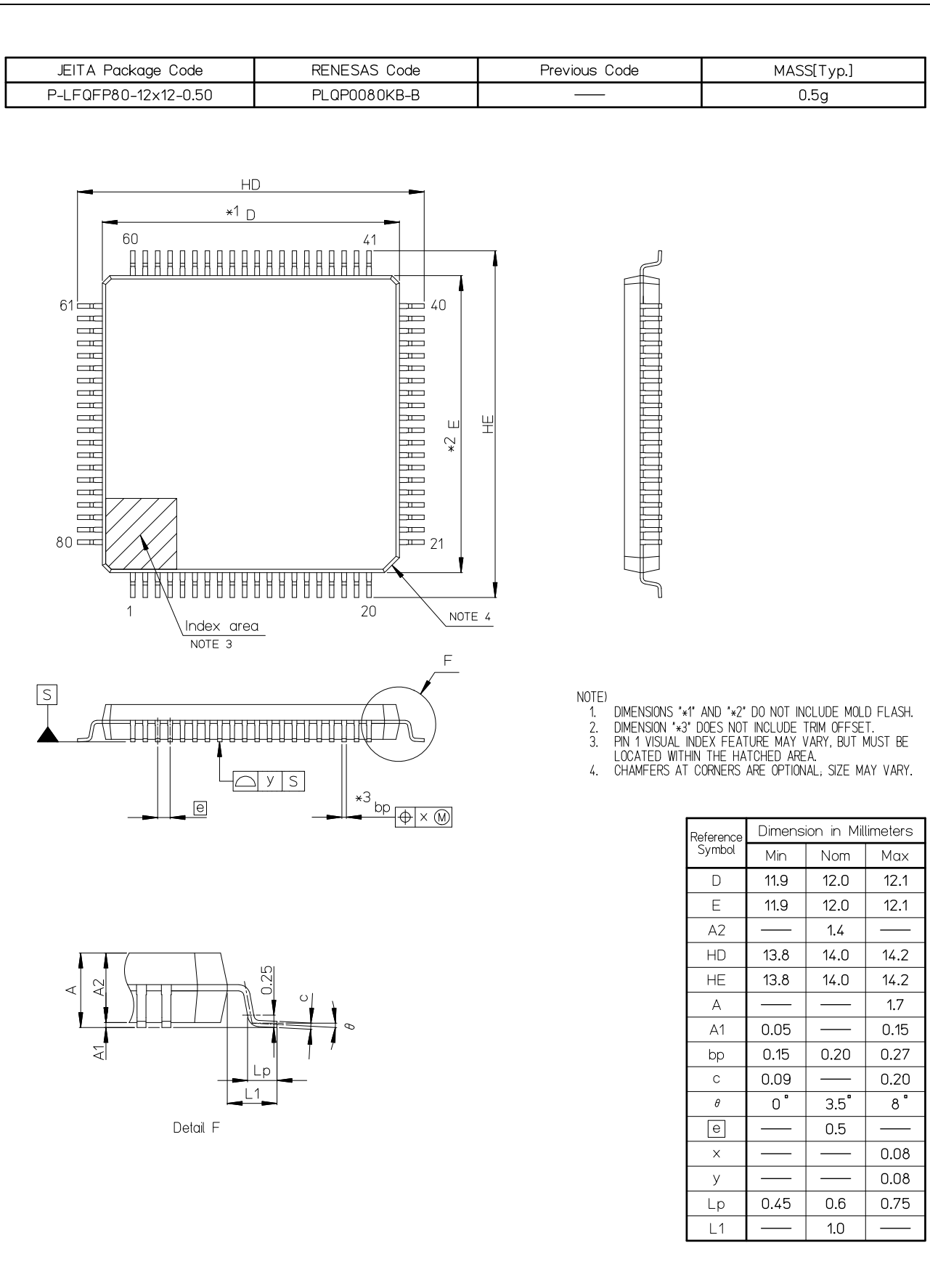


Figure E 80-Pin LQFP (PLQP0080KB-B)

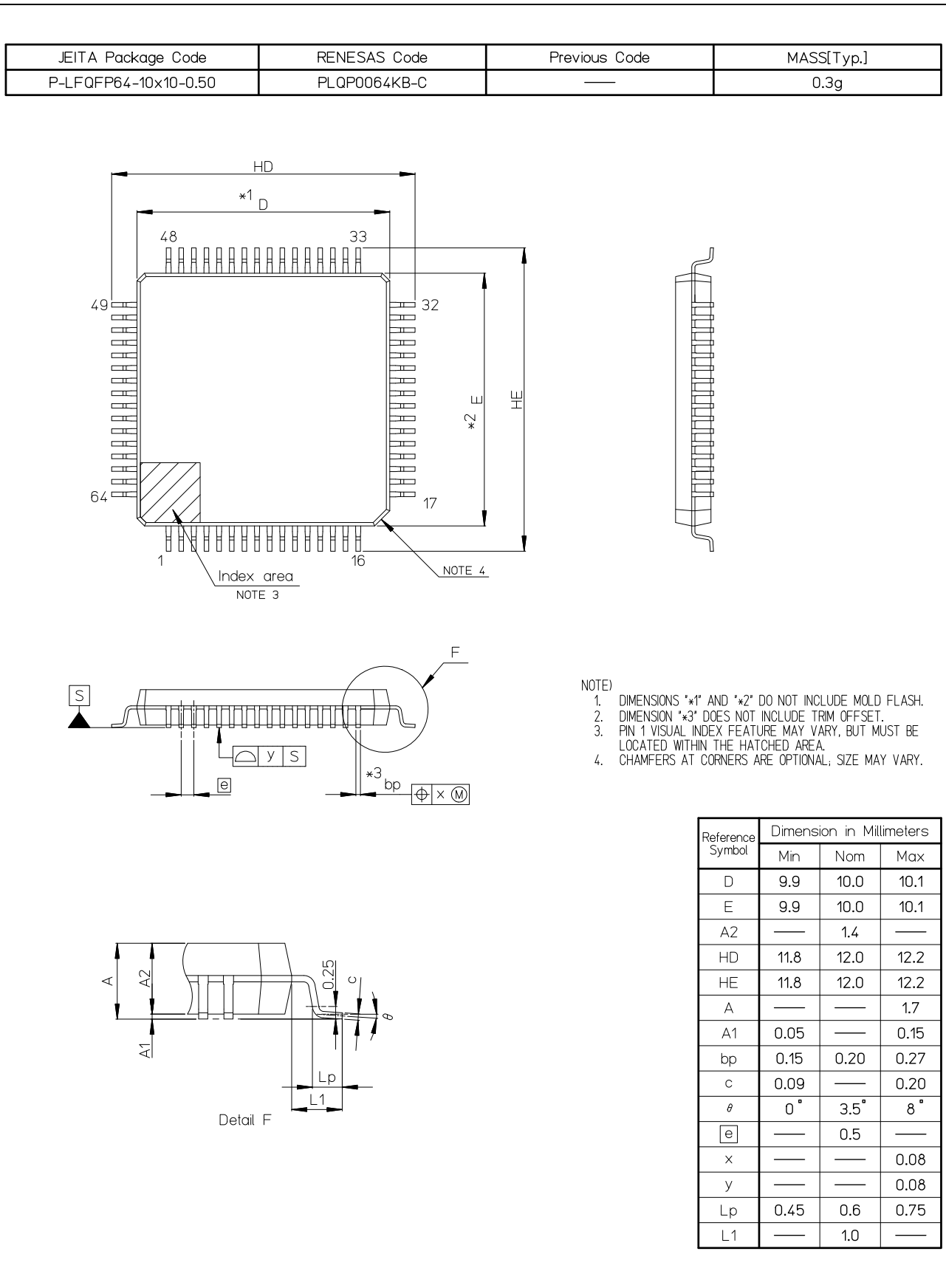


Figure F 64-Pin LFQFP (PLQP0064KB-C)

REVISION HISTORY	RX66T Group Datasheet
------------------	-----------------------

## Classifications

- Items with Technical Update document number: Changes according to the corresponding issued Technical Update
- Items without Technical Update document number: Minor changes that do not require Technical Update to be issued

Rev.	Date	Description		Classification
		Page	Summary	
1.00	Jul 30, 2018	—	First edition, issued	

All trademarks and registered trademarks are the property of their respective owners.

## General Precautions in the Handling of Microprocessing Unit and Microcontroller Unit Products

The following usage notes are applicable to all Microprocessing unit and Microcontroller unit products from Renesas. For detailed usage notes on the products covered by this document, refer to the relevant sections of the document as well as any technical updates that have been issued for the products.

### 1. Handling of Unused Pins

Handle unused pins in accordance with the directions given under Handling of Unused Pins in the manual.

¾ The input pins of CMOS products are generally in the high-impedance state. In operation with an unused pin in the open-circuit state, extra electromagnetic noise is induced in the vicinity of LSI, an associated shoot-through current flows internally, and malfunctions occur due to the false recognition of the pin state as an input signal become possible. Unused pins should be handled as described under Handling of Unused Pins in the manual.

### 2. Processing at Power-on

The state of the product is undefined at the moment when power is supplied.

¾ The states of internal circuits in the LSI are indeterminate and the states of register settings and pins are undefined at the moment when power is supplied.

In a finished product where the reset signal is applied to the external reset pin, the states of pins are not guaranteed from the moment when power is supplied until the reset process is completed. In a similar way, the states of pins in a product that is reset by an on-chip power-on reset function are not guaranteed from the moment when power is supplied until the power reaches the level at which resetting has been specified.

### 3. Prohibition of Access to Reserved Addresses

Access to reserved addresses is prohibited.

¾ The reserved addresses are provided for the possible future expansion of functions. Do not access these addresses; the correct operation of LSI is not guaranteed if they are accessed.

### 4. Clock Signals

After applying a reset, only release the reset line after the operating clock signal has become stable. When switching the clock signal during program execution, wait until the target clock signal has stabilized.

¾ When the clock signal is generated with an external resonator (or from an external oscillator) during a reset, ensure that the reset line is only released after full stabilization of the clock signal. Moreover, when switching to a clock signal produced with an external resonator (or by an external oscillator) while program execution is in progress, wait until the target clock signal is stable.

### 5. Differences between Products

Before changing from one product to another, i.e. to a product with a different part number, confirm that the change will not lead to problems.

¾ The characteristics of Microprocessing unit or Microcontroller unit products in the same group but having a different part number may differ in terms of the internal memory capacity, layout pattern, and other factors, which can affect the ranges of electrical characteristics, such as characteristic values, operating margins, immunity to noise, and amount of radiated noise. When changing to a product with a different part number, implement a system-evaluation test for the given product.

## Notice

1. Descriptions of circuits, software and other related information in this document are provided only to illustrate the operation of semiconductor products and application examples. You are fully responsible for the incorporation or any other use of the circuits, software, and information in the design of your product or system. Renesas Electronics disclaims any and all liability for any losses and damages incurred by you or third parties arising from the use of these circuits, software, or information.
2. Renesas Electronics hereby expressly disclaims any warranties against liability for infringement or any other claims involving patents, copyrights, or other intellectual property rights of third parties, by or arising from the use of Renesas Electronics products or technical information described in this document, including but not limited to, the product data, drawings, charts, programs, algorithms, and application examples.
3. No license, express, implied or otherwise, is granted hereby under any patents, copyrights or other intellectual property rights of Renesas Electronics or others.
4. You shall not alter, modify, copy, or reverse engineer any Renesas Electronics product, whether in whole or in part. Renesas Electronics disclaims any and all liability for any losses or damages incurred by you or third parties arising from such alteration, modification, copying or reverse engineering.
5. Renesas Electronics products are classified according to the following two quality grades: "Standard" and "High Quality". The intended applications for each Renesas Electronics product depends on the product's quality grade, as indicated below.  
"Standard": Computers; office equipment; communications equipment; test and measurement equipment; audio and visual equipment; home electronic appliances; machine tools; personal electronic equipment; industrial robots; etc.  
"High Quality": Transportation equipment (automobiles, trains, ships, etc.); traffic control (traffic lights); large-scale communication equipment; key financial terminal systems; safety control equipment; etc.  
Unless expressly designated as a high reliability product or a product for harsh environments in a Renesas Electronics data sheet or other Renesas Electronics document, Renesas Electronics products are not intended or authorized for use in products or systems that may pose a direct threat to human life or bodily injury (artificial life support devices or systems; surgical implantations; etc.), or may cause serious property damage (space system; undersea repeaters; nuclear power control systems; aircraft control systems; key plant systems; military equipment; etc.). Renesas Electronics disclaims any and all liability for any damages or losses incurred by you or any third parties arising from the use of any Renesas Electronics product that is inconsistent with any Renesas Electronics data sheet, user's manual or other Renesas Electronics document.
6. When using Renesas Electronics products, refer to the latest product information (data sheets, user's manuals, application notes, "General Notes for Handling and Using Semiconductor Devices" in the reliability handbook, etc.), and ensure that usage conditions are within the ranges specified by Renesas Electronics with respect to maximum ratings, operating power supply voltage range, heat dissipation characteristics, installation, etc. Renesas Electronics disclaims any and all liability for any malfunctions, failure or accident arising out of the use of Renesas Electronics products outside of such specified ranges.
7. Although Renesas Electronics endeavors to improve the quality and reliability of Renesas Electronics products, semiconductor products have specific characteristics, such as the occurrence of failure at a certain rate and malfunctions under certain use conditions. Unless designated as a high reliability product or a product for harsh environments in a Renesas Electronics data sheet or other Renesas Electronics document, Renesas Electronics products are not subject to radiation resistance design. You are responsible for implementing safety measures to guard against the possibility of bodily injury, injury or damage caused by fire, and/or danger to the public in the event of a failure or malfunction of Renesas Electronics products, such as safety design for hardware and software, including but not limited to redundancy, fire control and malfunction prevention, appropriate treatment for aging degradation or any other appropriate measures. Because the evaluation of microcomputer software alone is very difficult and impractical, you are responsible for evaluating the safety of the final products or systems manufactured by you.
8. Please contact a Renesas Electronics sales office for details as to environmental matters such as the environmental compatibility of each Renesas Electronics product. You are responsible for carefully and sufficiently investigating applicable laws and regulations that regulate the inclusion or use of controlled substances, including without limitation, the EU RoHS Directive, and using Renesas Electronics products in compliance with all these applicable laws and regulations. Renesas Electronics disclaims any and all liability for damages or losses occurring as a result of your noncompliance with applicable laws and regulations.
9. Renesas Electronics products and technologies shall not be used for or incorporated into any products or systems whose manufacture, use, or sale is prohibited under any applicable domestic or foreign laws or regulations. You shall comply with any applicable export control laws and regulations promulgated and administered by the governments of any countries asserting jurisdiction over the parties or transactions.
10. It is the responsibility of the buyer or distributor of Renesas Electronics products, or any other party who distributes, disposes of, or otherwise sells or transfers the product to a third party, to notify such third party in advance of the contents and conditions set forth in this document.
11. This document shall not be reprinted, reproduced or duplicated in any form, in whole or in part, without prior written consent of Renesas Electronics.
12. Please contact a Renesas Electronics sales office if you have any questions regarding the information contained in this document or Renesas Electronics products.

(Note 1) "Renesas Electronics" as used in this document means Renesas Electronics Corporation and also includes its directly or indirectly controlled subsidiaries.

(Note 2) "Renesas Electronics product(s)" means any product developed or manufactured by or for Renesas Electronics.

(Rev.4.0-1 November 2017)



### SALES OFFICES

Renesas Electronics Corporation

<http://www.renesas.com>

Refer to "<http://www.renesas.com/>" for the latest and detailed information.

#### Renesas Electronics America Inc.

1001 Murphy Ranch Road, Milpitas, CA 95035, U.S.A.  
Tel: +1-408-432-8888, Fax: +1-408-434-5351

#### Renesas Electronics Canada Limited

9251 Yonge Street, Suite 8309 Richmond Hill, Ontario Canada L4C 9T3  
Tel: +1-905-237-2004

#### Renesas Electronics Europe Limited

Dukes Meadow, Millboard Road, Bourne End, Buckinghamshire, SL8 5FH, U.K.  
Tel: +44-1628-651-700

#### Renesas Electronics Europe GmbH

Arcadiastrasse 10, 40472 Düsseldorf, Germany  
Tel: +49-211-6503-0, Fax: +49-211-6503-1327

#### Renesas Electronics (China) Co., Ltd.

Room 1709 Quantum Plaza, No.27 ZhichunLu, Haidian District, Beijing, 100191 P. R. China  
Tel: +86-10-8235-1155, Fax: +86-10-8235-7679

#### Renesas Electronics (Shanghai) Co., Ltd.

Unit 301, Tower A, Central Towers, 555 Langao Road, Putuo District, Shanghai, 200333 P. R. China  
Tel: +86-21-2226-0888, Fax: +86-21-2226-0999

#### Renesas Electronics Hong Kong Limited

Unit 1601-1611, 16/F., Tower 2, Grand Century Place, 193 Prince Edward Road West, Mongkok, Kowloon, Hong Kong  
Tel: +852-2265-6688, Fax: +852 2886-9022

#### Renesas Electronics Taiwan Co., Ltd.

13F, No. 363, Fu Shing North Road, Taipei 10543, Taiwan  
Tel: +886-2-8175-9600, Fax: +886 2-8175-9670

#### Renesas Electronics Singapore Pte. Ltd.

80 Bendemeer Road, Unit #06-02 Hyflux Innovation Centre, Singapore 339949  
Tel: +65-6213-0200, Fax: +65-6213-0300

#### Renesas Electronics Malaysia Sdn.Bhd.

Unit 1207, Block B, Menara Amcorp, Amcorp Trade Centre, No. 18, Jln Persiaran Barat, 46050 Petaling Jaya, Selangor Darul Ehsan, Malaysia  
Tel: +60-3-7955-9390, Fax: +60-3-7955-9510

#### Renesas Electronics India Pvt. Ltd.

No.777C, 100 Feet Road, HAL 2nd Stage, Indiranagar, Bangalore 560 038, India  
Tel: +91-80-67208700, Fax: +91-80-67208777

#### Renesas Electronics Korea Co., Ltd.

17F, KAMCO Yangjae Tower, 262, Gangnam-daero, Gangnam-gu, Seoul, 06265 Korea  
Tel: +82-2-558-3737, Fax: +82-2-558-5338