

RAD750[®] 3U CompactPCI single-board computer

FEATURES AND CAPABILITIES

The 3U CompactPCI standard single-board computer, available in flight and prototype versions, employs the PowerPC RAD750 microprocessor, the radiation-hardened version of the IBM PowerPC750. The companion PowerPC bridge ASIC provides access to the memory and the PCI version 2.2 backplane bus.

Software features

- Example startup ROM and VxWorks board support package provided for all hardware configurations.
- Green Hills Software's INTEGRITY real-time operating system can serve as an alternate board-support package.
- Hardware reference manuals and software users guide provided.
- Software developed for the RAD6000[®] processor is easily ported to the RAD750.
- All compilers currently available for the commercial PowerPC 750 are fully compatible with the RAD750 processor.
- Operating systems for PowerPC 750-based computers are easily ported to RAD750 computers. VxWorks and INTEGRITY are both currently available.
- Virtutech offers a RAD750 simulator.

Form factor

- CompactPCI 3U (100 mm x 160 mm)
- Weight: 549 grams

Memory

- 128 MB SDRAM, 256 kB SUROM

Radiation-hardness

- Total dose: >100 Krad (Si)
- SEU: 1.9 E-4 errors/card-day (90% W. C. GEO) varies with orbit
- Latchup-immune

Performance

- >260 Dhrystone 2.1 MIPS @ 132 MHz
- 4.3 SPECint95 4.6 SPECfp95 at 132 MHz

Power supply

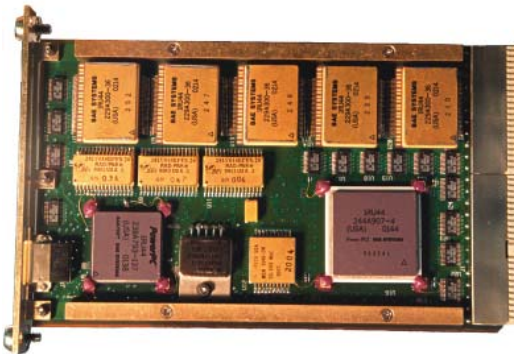
- 3.3V \pm 10%
- (2.5V generated via on-board regulator)

Power dissipation

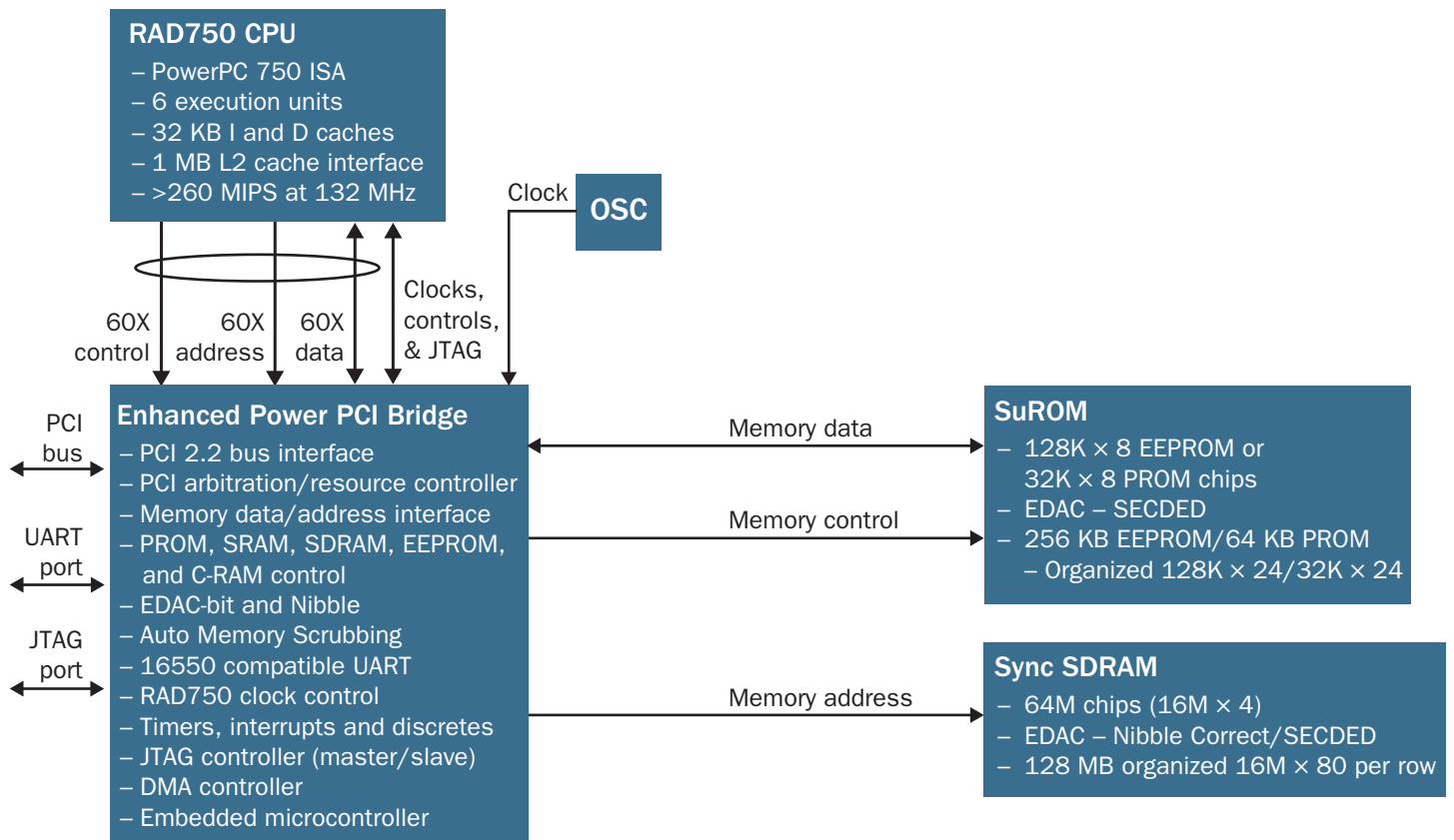
- <10.8W

Rail temperature range

- -55°C to +70°C



RAD750 3U FLEXIBLE ARCHITECTURE



RAD750® FAMILY OF PRODUCTS

RAD750® radiation-hardened powerPC microprocessor
 RAD750® 6U CompactPCI single-board computer
 RAD750® 6U CompactPCI extended single-board computer

RAD750® 3U CompactPCI single-board computer
 RAD750® space computers Virtutech Simics virtual platform
 RAD750® custom single-board computers

FOR MORE INFORMATION, CONTACT:

BAE Systems
 9300 Wellington Road
 Manassas, VA 20110-4122
 Telephone 1 800 RAD750A or 1 866 530 8104
 www.baesystems.com/sse

Cleared for open publication on 07/08

This document gives only a general description of the product(s) or services and, except where expressly provided otherwise, shall not form any part of any contract. From time to time, changes may be made in the products or the conditions of supply.

©2008 BAE Systems

PUBS-08-B33-01